

REVISIONS				
P	LTR	DESCRIPTION	DATE	OWN APVD
G		REV PER ECO 17-007041	5-16-17	CT EO

<p>MODULE A 150 POSITION MONOBLOCK WITH NON-REMOVABLE CONTACTS SEE SHEET #3 FOR SELECTIVE LOADING DETAIL (CONTACT QTY = 61)</p> <p>MODULE B 150 POSITION MONOBLOCK WITH NON-REMOVABLE CONTACTS SEE SHEET #3 FOR SELECTIVE LOADING DETAIL (CONTACT QTY = 56)</p> <p>MODULE C SZ 12 POSTED PIN CONTACT; TE P/N 448140-3 (QTY=4) SZ 16 POSTED PIN CONTACT; TE P/N 1-448139-1 (QTY=2) SIZE 20 FILLER PLUG; TE P/N 1663767-2; QTY: 4 SIZE 5 FILLER PLUG; TE P/N 1484205-1; QTY: 2 SIZE 16 FILLER PLUG; TE P/N 1663767-3; QTY: 1 SEE SHEET #3 FOR SELECTIVE LOADING DETAIL</p> <p>MODULE D 150 POSITION MONOBLOCK WITH NON-REMOVABLE CONTACTS SEE SHEET #3 FOR SELECTIVE LOADING DETAIL (CONTACT QTY = 59)</p> <p>MODULE E 150 POSITION MONOBLOCK WITH NON-REMOVABLE CONTACTS SEE SHEET #3 FOR SELECTIVE LOADING DETAIL (CONTACT QTY = 56)</p> <p>MODULE F SZ 12 POSTED PIN CONTACT; TE P/N 448140-3 (QTY=4) SZ 16 POSTED PIN CONTACT; TE P/N 1-448139-1 (QTY=2) SIZE 20 FILLER PLUG; TE P/N 1663767-2; QTY: 4 SIZE 5 FILLER PLUG; TE P/N 1484205-1; QTY: 2 SIZE 16 FILLER PLUG; TE P/N 1663767-3; QTY: 1 SEE SHEET #3 FOR SELECTIVE LOADING DETAIL</p>	1996549-2
<p>MODULE A SZ 22 POSTED SKT CONTACT; TE P/N 211431-4 (QTY=61) SZ 22 FILLER PLUG; TE P/N 1663767-1 (QTY=89) SEE SHEET #3 FOR SELECTIVE LOADING DETAIL</p> <p>MODULE B SZ 22 POSTED SKT CONTACT; TE P/N 211431-4 (QTY=56) SZ 22 FILLER PLUG; TE P/N 1663767-1 (QTY=94) SEE SHEET #3 FOR SELECTIVE LOADING DETAIL</p> <p>MODULE C SZ 12 POSTED PIN CONTACT; TE P/N 448140-3 (QTY=4) SZ 16 POSTED PIN CONTACT; TE P/N 1-448139-1 (QTY=2) SIZE 20 FILLER PLUG; TE P/N 1663767-2; QTY: 4 SIZE 5 FILLER PLUG; TE P/N 1484205-1; QTY: 2 SIZE 16 FILLER PLUG; TE P/N 1663767-3; QTY: 1 SEE SHEET #3 FOR SELECTIVE LOADING DETAIL</p> <p>MODULE D SZ 22 POSTED SKT CONTACT; TE P/N 211431-4 (QTY=59) SZ 22 FILLER PLUG; TE P/N 1663767-1 (QTY=91) SEE SHEET #3 FOR SELECTIVE LOADING DETAIL</p> <p>MODULE E SZ 22 POSTED SKT CONTACT; TE P/N 211431-4 (QTY=56) SZ 22 FILLER PLUG; TE P/N 1663767-1 (QTY=94) SEE SHEET #3 FOR SELECTIVE LOADING DETAIL</p> <p>MODULE F SZ 12 POSTED PIN CONTACT; TE P/N 448140-3 (QTY=4) SZ 16 POSTED PIN CONTACT; TE P/N 1-448139-1 (QTY=2) SIZE 20 FILLER PLUG; TE P/N 1663767-2; QTY: 4 SIZE 5 FILLER PLUG; TE P/N 1484205-1; QTY: 2 SIZE 16 FILLER PLUG; TE P/N 1663767-3; QTY: 1 SEE SHEET #3 FOR SELECTIVE LOADING DETAIL</p>	1996549-1
CONTACTS INCLUDED AND INSTALLED	PART NUMBER

COMPONENT	MATERIAL	FINISH
SHELL	DIE CAST ALUMINIUM PER ASTM-B-85 OR ASTM B211 6061-T6 OR ASTM B209 2024-T4	CHEMICAL CONVERSION COATING PER MIL-DTL-5541 TYPE II, CLASS 3
RETENTION PLATES	ALUMINIUM ALLOY PER ASTM-B-209	CHEMICAL CONVERSION COATING PER MIL-DTL-5541 TYPE II, CLASS 3
SCREWS AND LOCKWASHERS	STEEL OR STAINLESS STEEL	CHROMATE OVER ZINC OR PASSIVATED
POLARIZING KEYS	ZINC ALLOY PER ASTM-B-86	-
POLARIZING KEY RETAINING PLATE	ALUMINIUM ALLOY PER ASTM-B-209	BLUE ANODIZED PER MIL-A-6625
150 & 13C2 INSERTS	THERMOSET	-
FILLER PLUGS	TEFLON	-

1009733	"37"	1996549-2
1009733	"37"	1996549-1
CUSTOMER NUMBER REF	KEYING POSITION	PART NUMBER

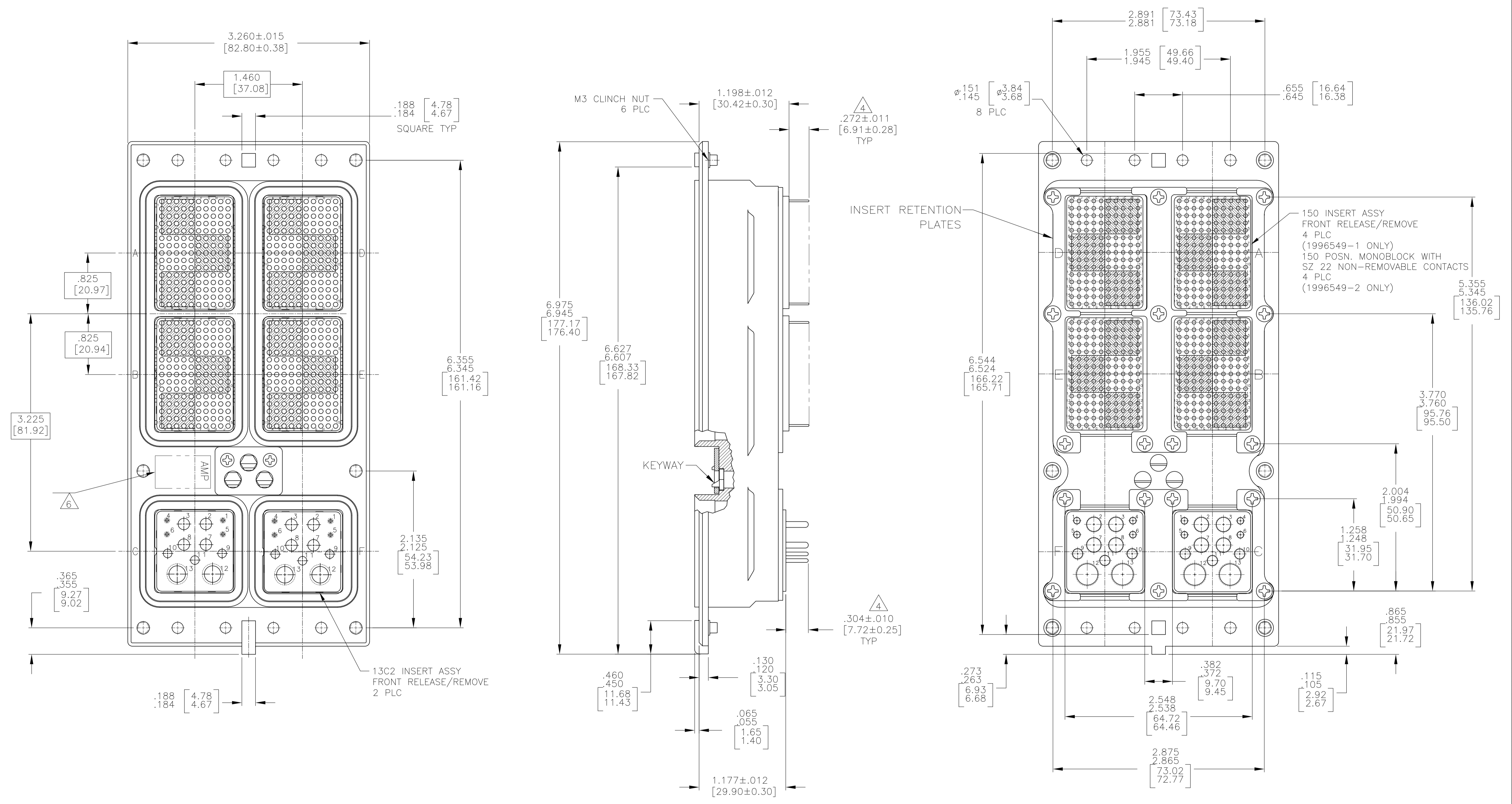
- CONNECTOR DIMENSIONS ARE PER ARINC 600 SPECIFICATION
- DUST COVERS ARE INSTALLED FOR SHIPPING.
- KEYING SHOWN IN POSITION "01" FOR REFERENCE ONLY. SEE TABLE FOR KEYING POSITION. FOR POSITION "00" KEYING SHIPPED UNASSEMBLED.
- WITH CONTACTS FULLY SEATED TO THE REAR OF INSERT.
- CONTACTS NOT SHOWN IN FRONT & REAR VIEWS FOR CLARITY. SEE SELECTIVE LOADING CHART FOR CONTACT POSITIONS. (SHEET #3)
- TE LOGO APPEARS IN THIS APPROXIMATE LOCATION ON MACHINED FROM BILLET SHELLS.
- ASSEMBLY SHOWN WITH DIE CAST SHELL. ASSEMBLIES WITH MACHINED SHELLS MAY VARY SLIGHTLY IN APPEARANCE.

THIS DRAWING IS A CONTROLLED DOCUMENT.

DIMENSIONS: INCHES [mm]	TOLERANCES UNLESS OTHERWISE SPECIFIED:	DIN C.C.THOMAS 3-13-08	APVD K.THACKSTON 3-13-08	NAME RCPT ASSY,SIZE 3,ARINC 600 (150/150/13C2/150/150/13C2) WITH SELECTIVE LOADING
0 PLC ± -	1 PLC ± -	2 PLC ± -	3 PLC ± -	4 PLC ± -
ANGLES ± -				
MATERIAL SEE TABLE	FINISH SEE TABLE	WEIGHT 0	SIZE A1	SCALE 3:2
CUSTOMER DRAWING		DRAWING NO 00779	REV 1	SHEET 1 OF 3

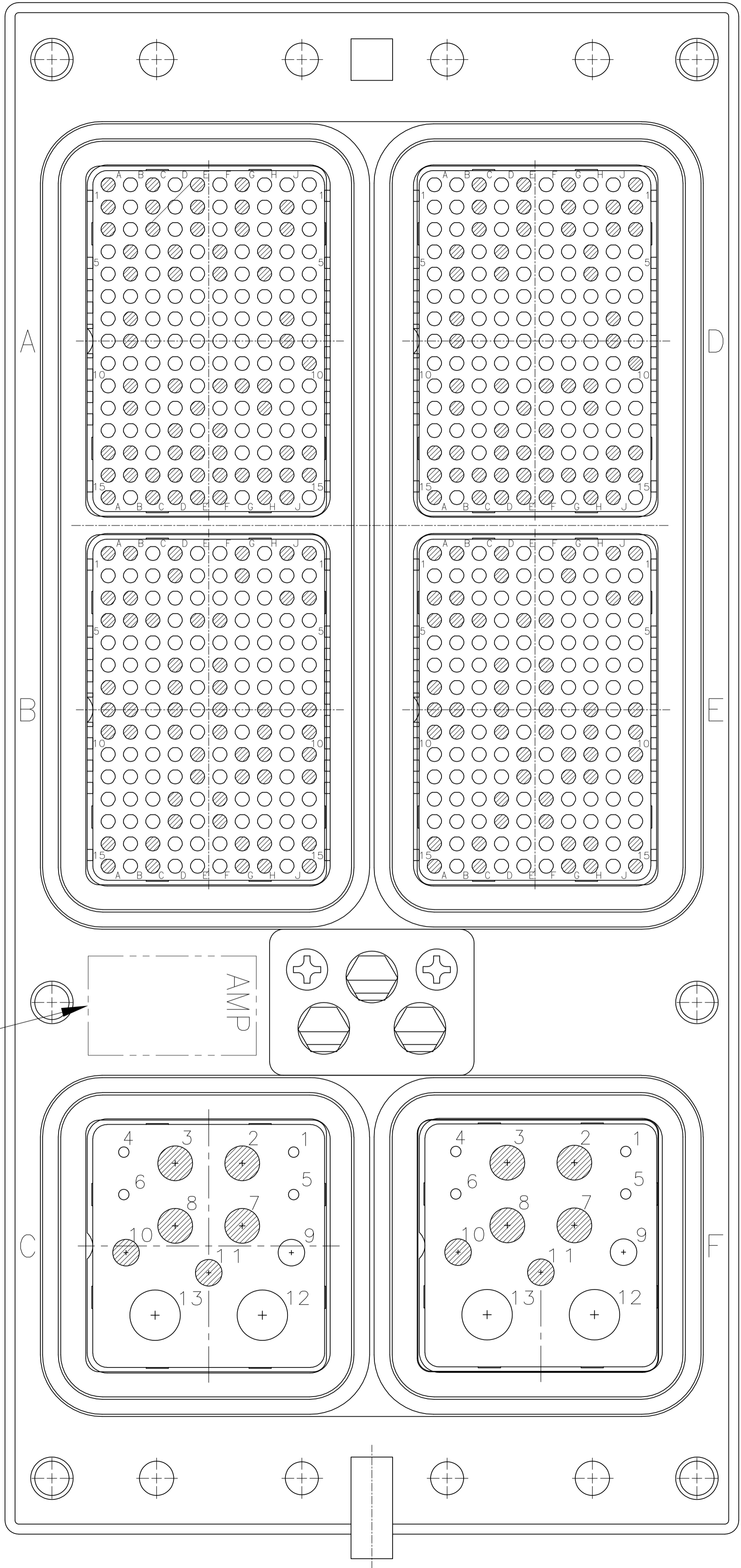
STE TE Connectivity

REVISIONS				
P	LYR	DESCRIPTION	DATE	BY
-	-	SEE SHEET 1	-	-



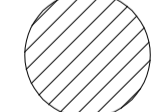
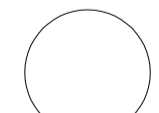
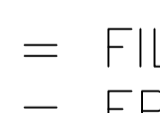
THIS DRAWING IS A CONTROLLED DOCUMENT.		DWG: C.C.THOMAS 3-13-08	TE Connectivity
DIMENSIONS: INCHES [mm]		CHK: K.THACKSTON 3-13-08	
TOLERANCES UNLESS OTHERWISE SPECIFIED:		APVD: K.THACKSTON 3-13-08	NAME: RCPT ASSY, SIZE 3, ARINC 600 (150/150/13C2/150/150/13C2) WITH SELECTIVE LOADING
0 PLC ± -	1 PLC ± -	2 PLC ± -	3 PLC ± -
4 PLC ± -	ANGLES ± -	APPLICATION SPEC	
MATERIAL: SEE TABLE	FINISH: SEE TABLE	WEIGHT: -	SIZE: A1 00779 C=1996549
CUSTOMER DRAWING		SCALE: 3:2	SHEET 2 OF 3 REV G


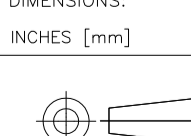
REVISIONS				
P	LTR	DESCRIPTION	DATE	OWN
-	-	SEE SHEET 1	-	-



6

SELECTIVE LOADING DETAIL
SCALE 3:1
MATING FACE VIEW

-  = LOADED CAVITY
-  = FILLER PLUG (-1)
-  = EPOXY FILLED (-2) (150 MONOBLOCK ONLY)

THIS DRAWING IS A CONTROLLED DOCUMENT.		DWG: C.C.THOMAS 3-13-08	 TE Connectivity
DIMENSIONS: INCHES [mm]		CHK: K.THACKSTON 3-13-08	
		TOLERANCES UNLESS OTHERWISE SPECIFIED: 0. PLC ± - 1. PLC ± - 2. PLC ± - 3. PLC ± - 4. PLC ± - ANGLES ± -	NAME: K.THACKSTON 3-13-08 PRODUCT SPEC: APPLICATION SPEC: WEIGHT:
MATERIAL: SEE TABLE	FINISH: SEE TABLE	SIZE: A1	RCPT ASSY, SIZE 3, ARINC 600 (150/150/13C2/150/150/13C2) WITH SELECTIVE LOADING CUSTOMER DRAWING SCALE: 3:2 SHEET 3 OF 3 REV G