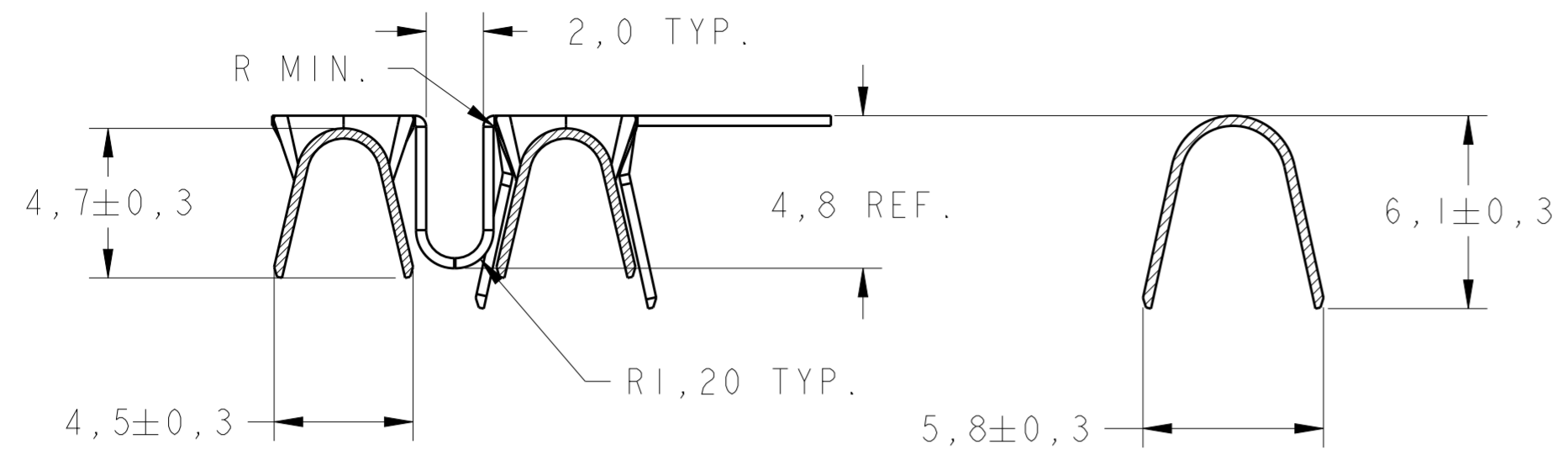


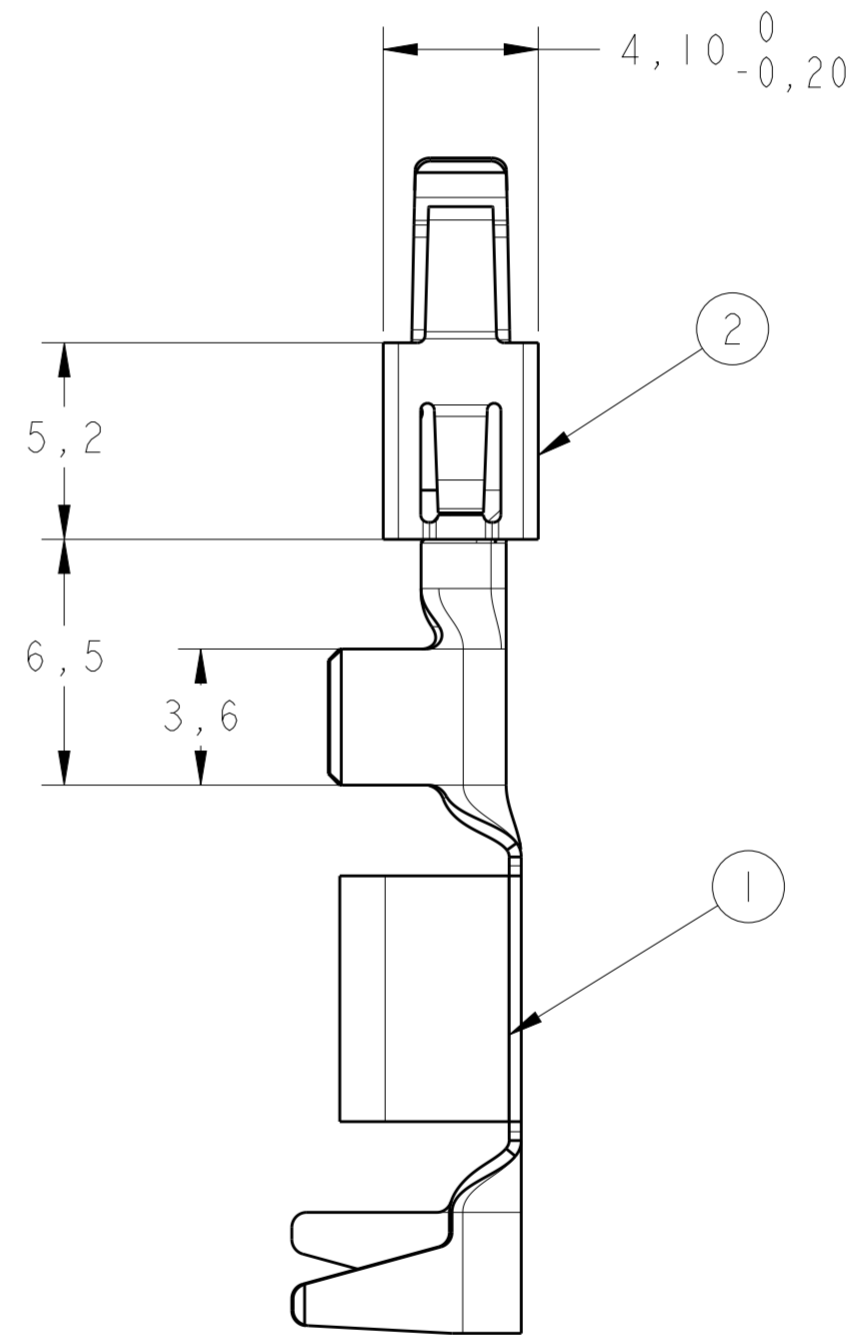
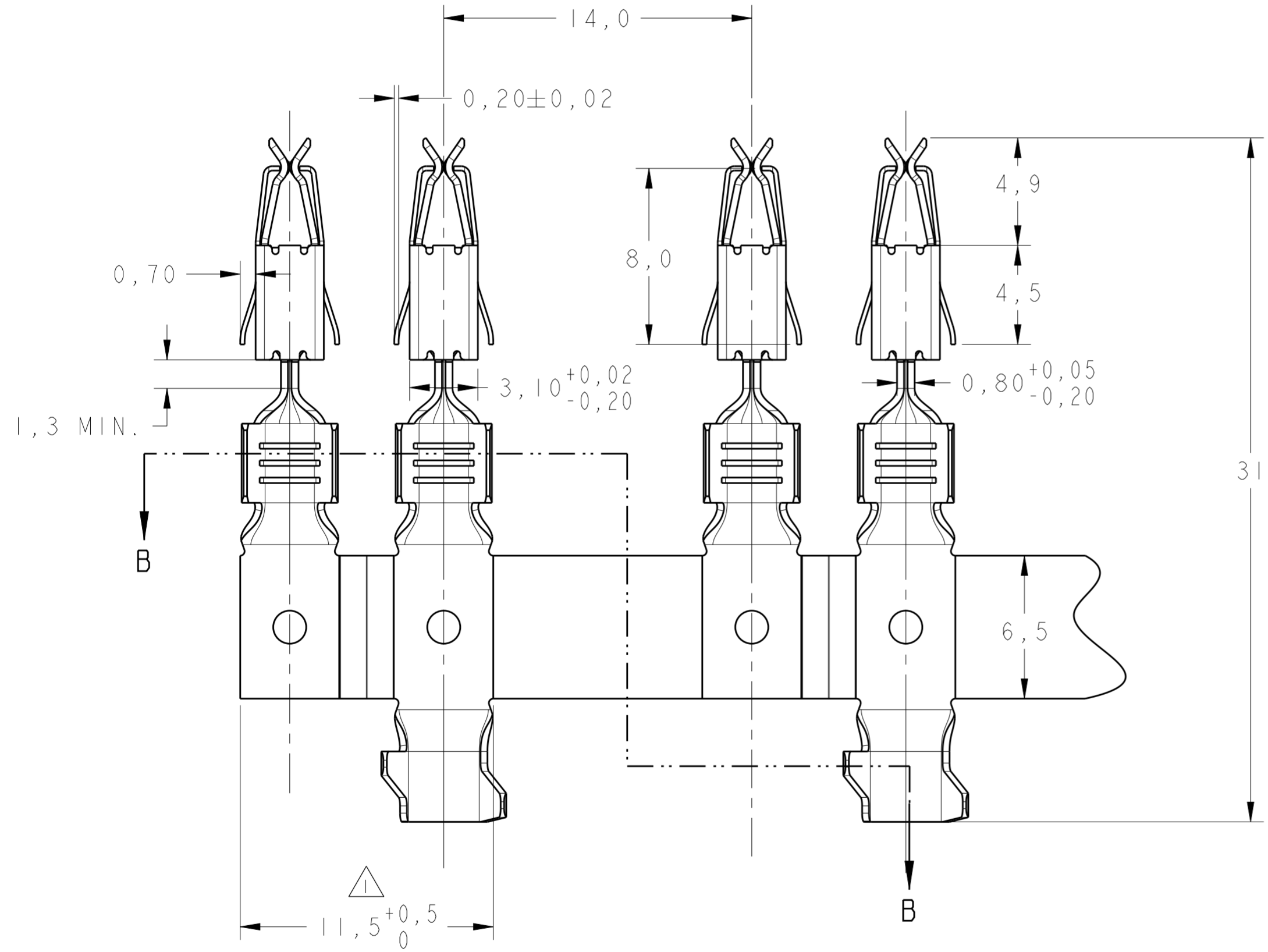
THIS DRAWING IS UNPUBLISHED. RELEASED FOR PUBLICATION
 © COPYRIGHT - BY TYCO ELECTRONICS CORPORATION. ALL RIGHTS RESERVED.

LOC		DIST		REVISIONS			
P	LTR	DESCRIPTION	DATE	DWN	APVD		
AP	-						
	A	RELEASED BY ECO-10-024274	07DEC2010	FC	MG		
	A1	REVISED BY ECO-17-003019	07MAR2017	LAA	NS		
	A2	REVISED BY ECO-17-007409	23MAY2017	LAA	NS		

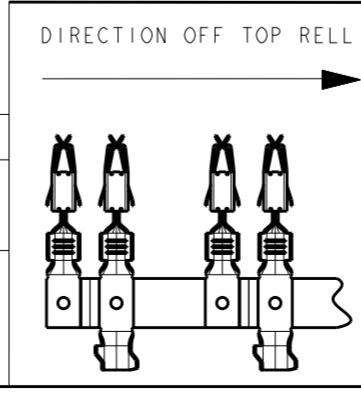


SECTION B-B

- ① - CUTTING DIMENSION FOR APPLICATOR;
DIMENSÃO DE CORTE PARA O APLICADOR;
- ② - THE CONTACTS WILL BE SUPPLIED IN CONTINUOUS STRIP FORM ONLY;
OS TERMINAIS SERÃO FORNECIDOS EM FORMA DE FITA CONTINUA SOMENTE;
- 3 - FOR BUSBAR INSERTION/EXTRACTION TOOL SEE THE DRAWING 1893132.
PARA INSERÇÃO DE BUSBAR / FERRAMENTA DE EXTRACÇÃO VEJA O DESENHO 1893132.



REQ. PER ASSY	ITEM	DESCRIPTION	MATERIAL	FINISH	WIRE RANGE mm ²	INSULATION RANGE Ø	APPLICATOR FEED
	2	SPRING, CONTACT	STAINLESS STEEL	BLANK	2,5 - 4,0	2,7 - 3,7	②
	1	BODY, CONTACT	CuFe	PRE TIN/PRÉ ESTANHADO			
1989304	-1						



THIS DRAWING IS A CONTROLLED DOCUMENT FOR TYCO ELECTRONICS CORPORATION. IT IS SUBJECT TO CHANGE AND THE CONTROLLING ENGINEERING ORGANIZATION SHOULD BE CONTACTED FOR THE LATEST REVISION.

DIMENSIONS:	TOLERANCES UNLESS OTHERWISE SPECIFIED:
mm	0 PLC ±0,5
	1 PLC ±0,2
	2 PLC ±0,10
	3 PLC ±
	4 PLC ±
	ANGLES ±0° - 30°
	FINISH
MATERIAL	SEE TABLE
	SEE TABLE

DWN	28NOV2007	E. LOPES	TYCO ELECTRONICS Brasil LTDA. Sao Paulo, Brasil
CHK	28NOV2007	P. L. FARIA	
APVD	28NOV2007	D. A. OLIVEIRA	
PRODUCT SPEC	108-18013		
APPLICATION SPEC	114-18050		NAME
WEIGHT	-		JUNIOR POWER TIMER CONTACT BUSBAR, 2 WAYS
CUSTOMER DRAWING			SIZE
			A2
			CAGE CODE
			-
			DRAWING NO
			G-1989304
			RESTRICTED TO
			-
			SCALE
			5:1
			SHEET
			1
			OF
			1
			REV
			A2