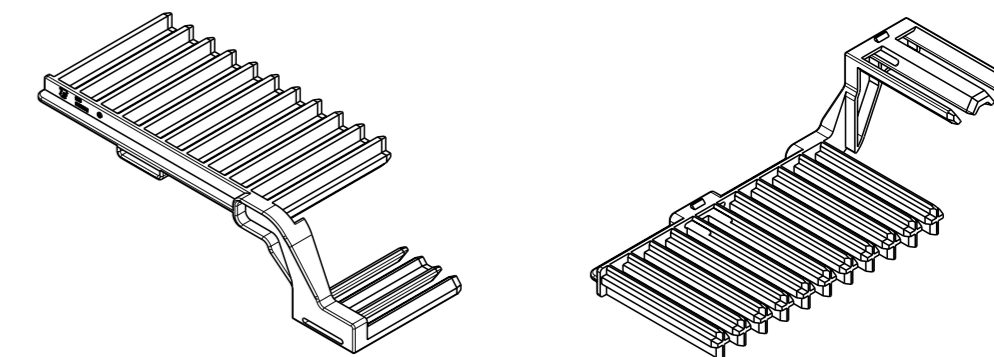
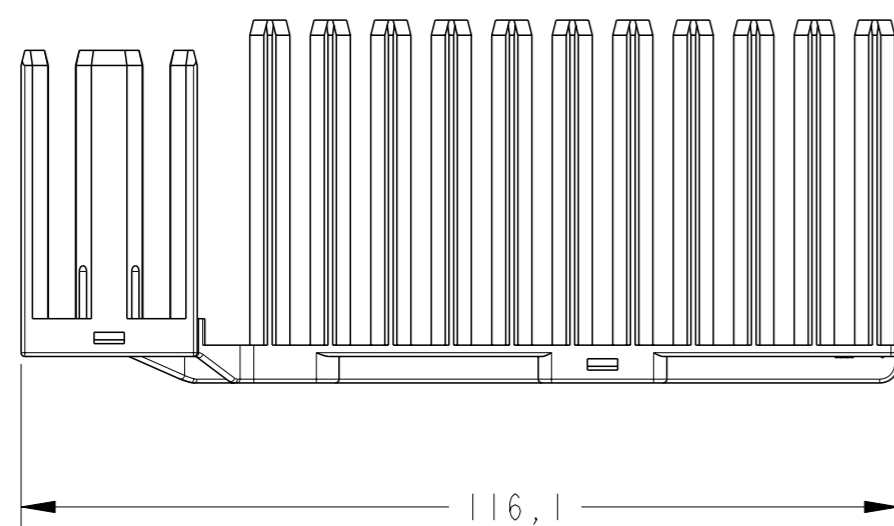
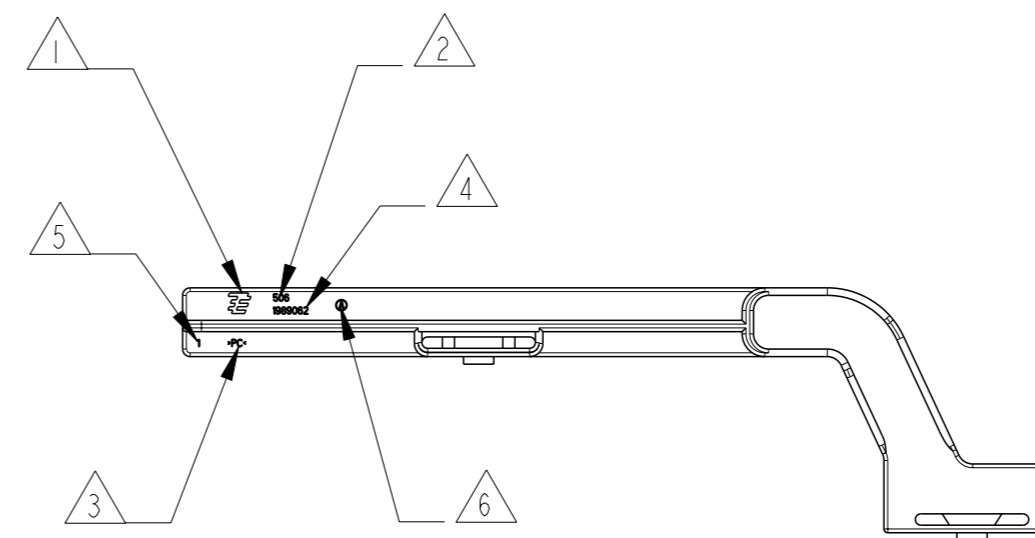
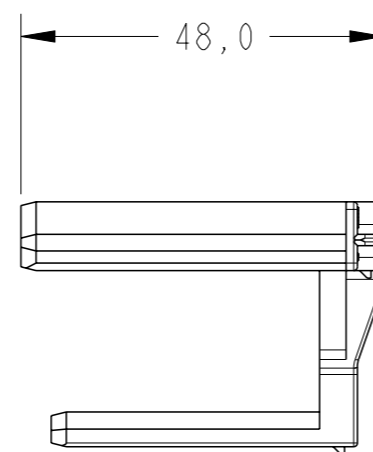
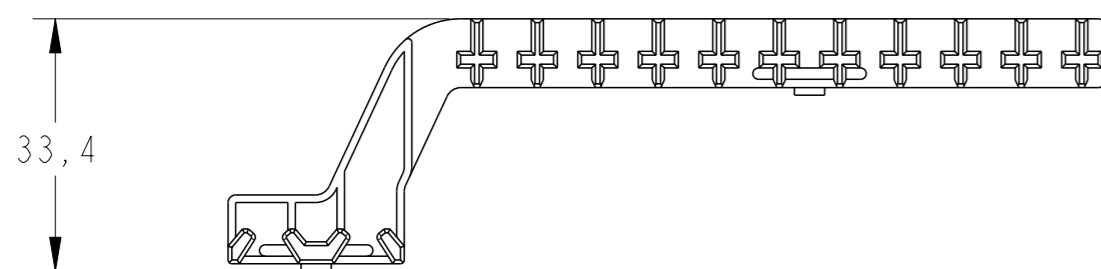


THIS DRAWING IS UNPUBLISHED. RELEASED FOR PUBLICATION 20  
 © COPYRIGHT 20 ALL RIGHTS RESERVED.

LOC		DIST		REVISIONS			
P	LTR	DESCRIPTION	DATE	DWN	APVD		
-	-	A	CHANGED STATUS ECO-11-009594	27MAY2011	MAS	MG	



PERSPECTIVE VIEWS  
SCALE 1:2



GRAVAÇÕES MARKINGS	
1	LOGOTIPO TYCO TYCO LOGO
2	CÓDIGO PAÍS PRODUTOR MANUFACTURER COUNTRY CODE
3	NOMENCLATURA MATERIAL MATERIAL NOMENCLATURE
4	NÚMERO COMPONENTE TYCO TYCO COMPONENT NUMBER
5	NÚMERO CAVIDADE CAVITY NUMBER
6	REV+ LETRA REV.DA PEÇA REV.+ PART REV.LETTER

NATURAL	PC	1989062-1
FINISH	MATERIAL	PART NUMBER

THIS DRAWING IS A CONTROLLED DOCUMENT.		DWN M.T.ONISHI 13JUL2007	<b>STE</b> TE Connectivity		
DIMENSIONS: mm		CHK P.L.FARIA 13JUL2007			
TOLERANCES UNLESS OTHERWISE SPECIFIED:		APVD D.A.OLIVEIRA 13JUL2007	NAME TPA, FUSE AND RELAY BOX JPT AND MAXI POWER TIMER		
0 PLC ± 1 PLC ±0.3 2 PLC ± 3 PLC ± 4 PLC ± ANGLES ±° FINISH		PRODUCT SPEC -	SIZE A2	CAGE CODE 00779	DRAWING NO C-1989062
MATERIAL SEE TABLE		APPLICATION SPEC -	WEIGHT -	RESTRICTED TO -	
		CUSTOMER DRAWING	SCALE 1:1	SHEET OF	REV A

