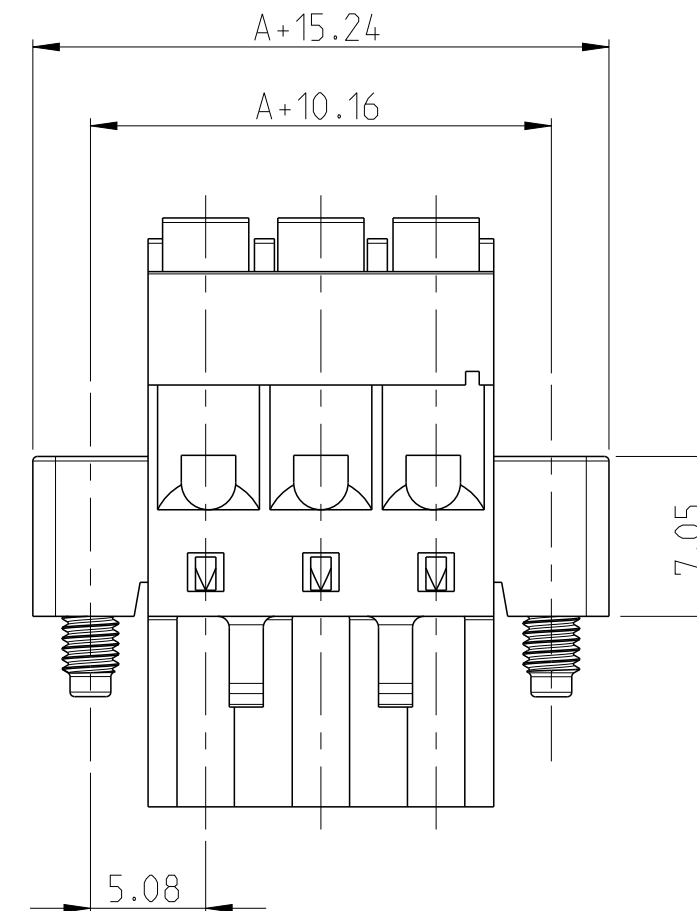
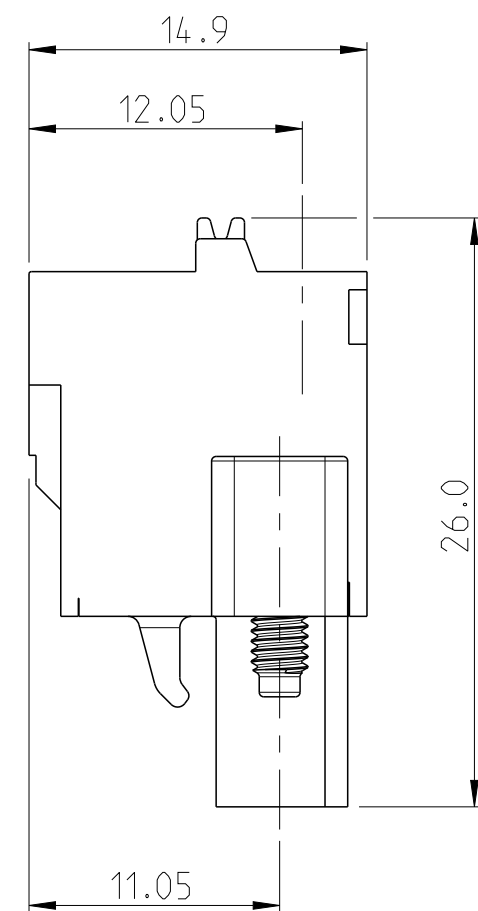
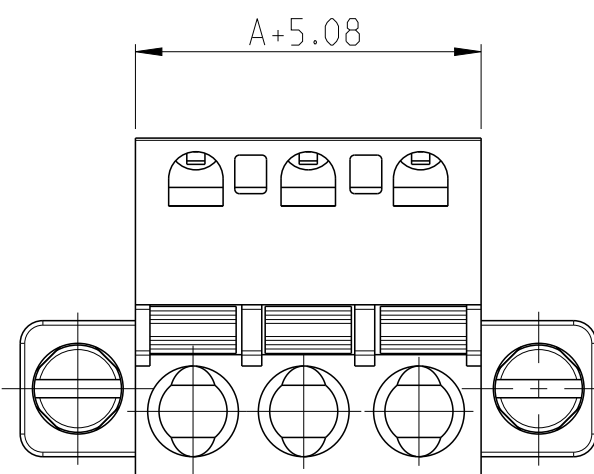
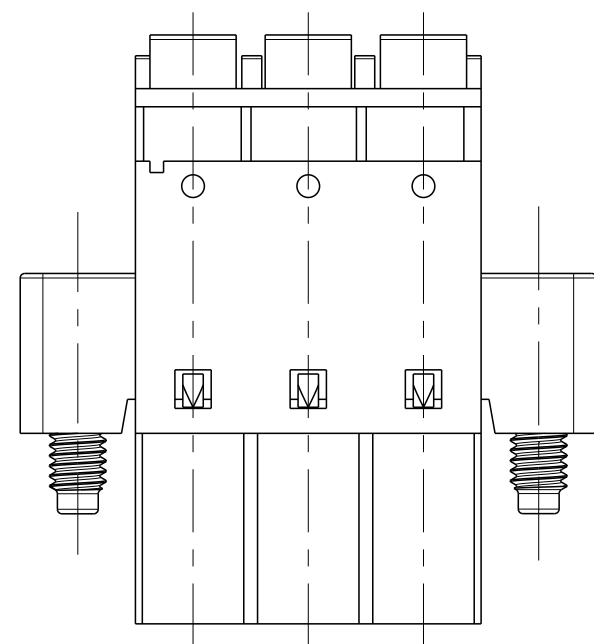
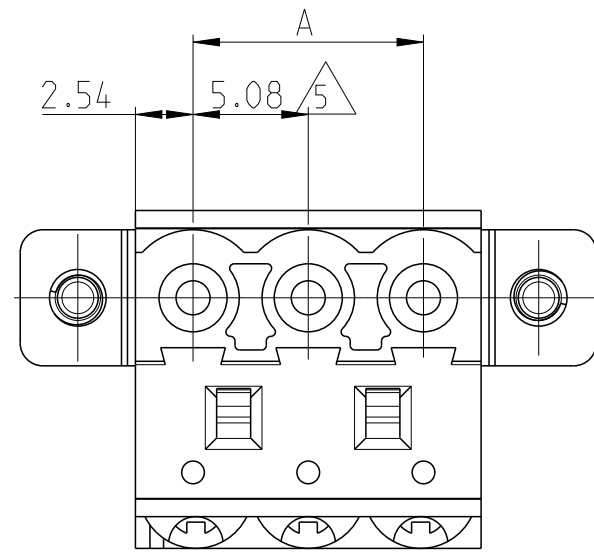


THIS DRAWING IS UNPUBLISHED. RELEASED FOR PUBLICATION 20  
 © COPYRIGHT 20 BY - ALL RIGHTS RESERVED.

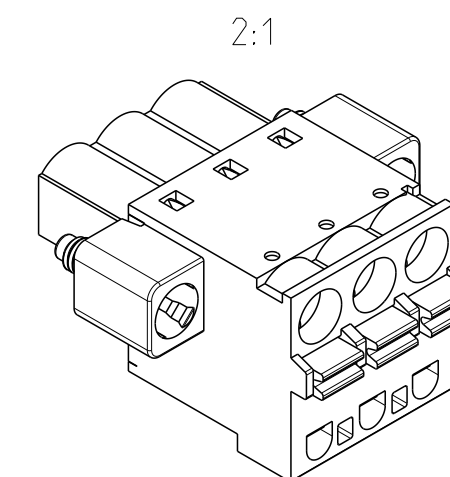
REVISIONS				
P	LTR	DESCRIPTION	DATE	APVD
A		INITIAL RELEASE	18DEC2014	RRN PS
B		SHADE CHANGE IN ORANGE PUSH BUTTON COLOR	09MAY2023	SP PS



NOTES:

- MATERIALS & FINISH  
 HOUSING : PA6.6 , UL94 V0, COLOR -GREEN  
 SPRING : STEEL  
 CONTACT : COPPER ALLOY, TIN PLATED  
 PUSH BUTTON : PA66, COLOR - ORANGE.
  - MECHANICAL  
 STRIPPING LENGTH: 10mm  
 INSERTION FORCE: 3N (MAX)  
 WITHDRAWAL FORCE: 1.5N (MIN)
  - ELECTRICAL  
 WIRE RANGE: 30-12 AWG  
 MAX. VOLTAGE: 300V  
 MAX. CURRENT: 12A  
 CONTACT RESISTANCE: <15 m Ohm  
 INSULATION RESISTANCE: >1000 M Ohm (500V DC)
  - OPERATING TEMPERATURE RANGE: -40 °C to +110 °C
- △ TOLERANCE NOT CUMULATIVE

86.36	18	1-1986830-8
81.28	17	1-1986830-7
76.20	16	1-1986830-6
71.12	15	1-1986830-5
66.04	14	1-1986830-4
60.96	13	1-1986830-3
55.88	12	1-1986830-2
50.80	11	1-1986830-1
45.72	10	1-1986830-0
40.64	9	1986830-9
35.56	8	1986830-8
30.48	7	1986830-7
25.40	6	1986830-6
20.32	5	1986830-5
15.24	4	1986830-4
10.16	3	1986830-3
5.08	2	1986830-2
DIM "A"	NO OF POS.	PART NUMBER



-3 AS SHOWN

THIS DRAWING IS A CONTROLLED DOCUMENT.		DWN R R NAYAK 18DEC2014	TE Connectivity	
DIMENSIONS: mm		CHK CHIRASHREE C R 18DEC2014		
TOLERANCES UNLESS OTHERWISE SPECIFIED:		APVD PRASHANTH SURATHKAL 18DEC2014	NAME SPRING FEMALE CONNECTOR WITH LOCKING SCREW FLANGES PITCH 5.08mm	
0 PLC ±		PRODUCT SPEC -	SIZE A2	CAGE CODE 00779
1 PLC ±0.2		APPLICATION SPEC -	DRAWING NO C-1986830	RESTRICTED TO -
2 PLC ±0.15		WEIGHT -	SCALE 3:1	SHEET 1 OF 1
3 PLC ±		Customer Drawing	REV B	
4 PLC ±				
ANGLES ±2°				
FINISH SEE NOTE				