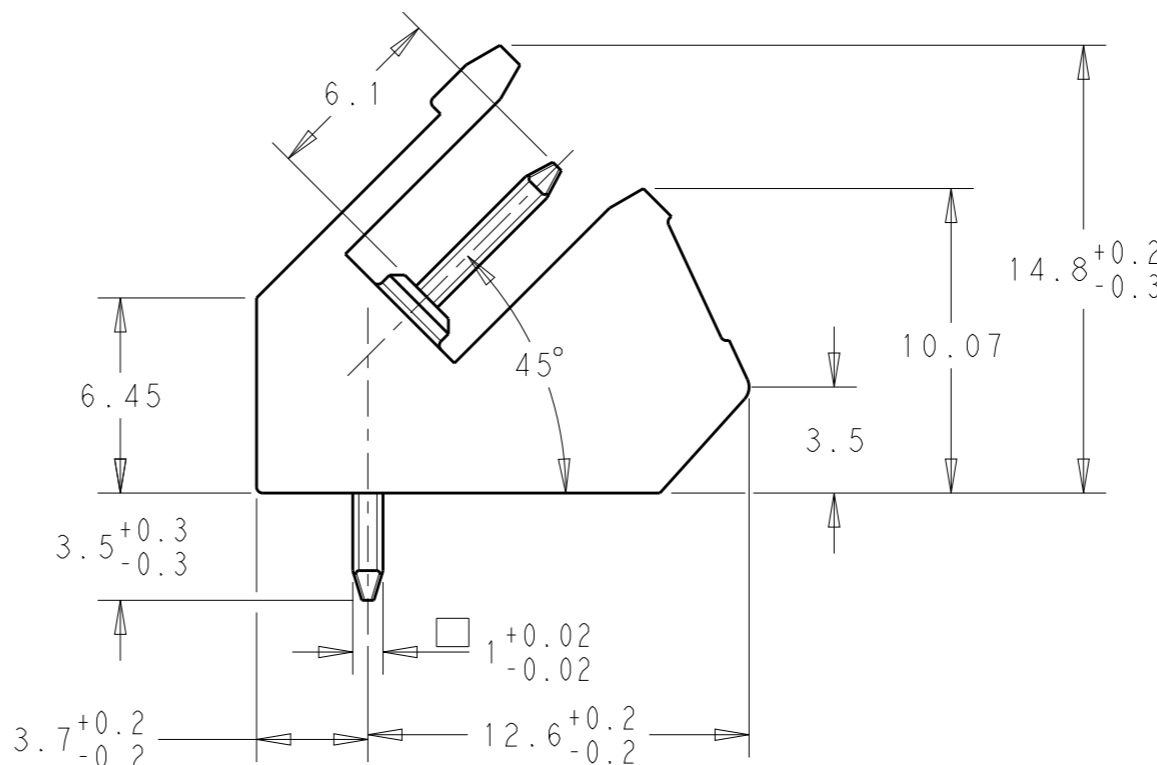
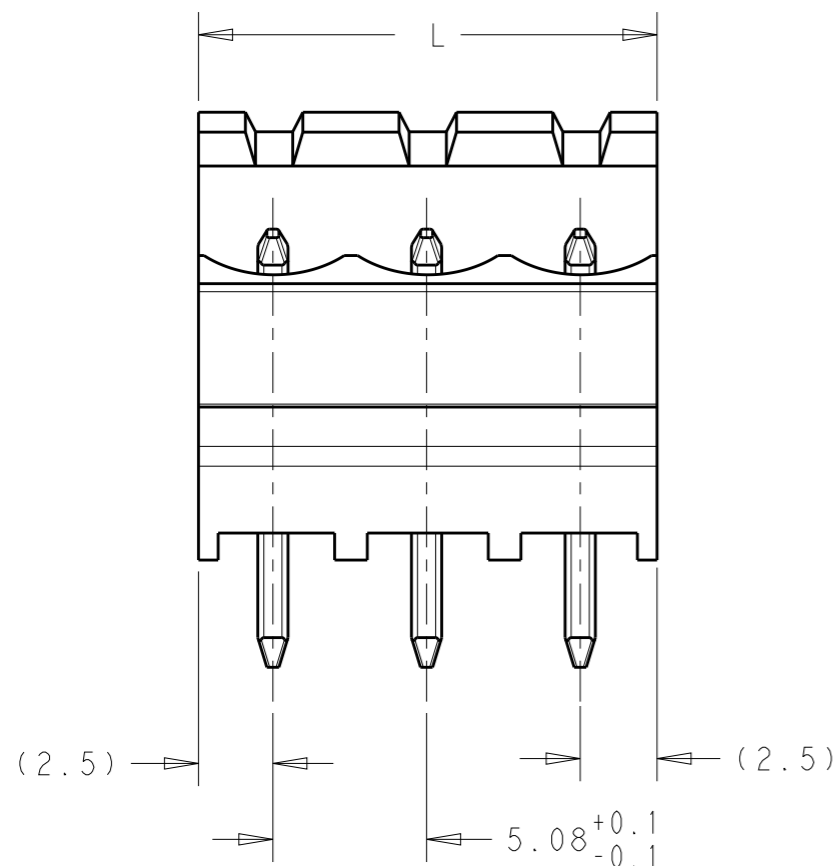
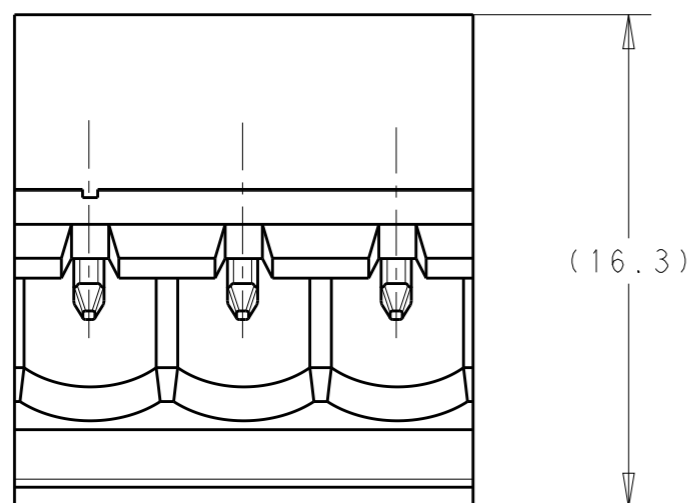


P	LTR	DESCRIPTION	DATE	DWN	APVD
	1	NEW DRAWING	26SEP2013	KH	MM




**MATERIALS AND FINISH:**  
**HOUSING:** HIGH TEMPERATURE POLYAMIDE, UL94V-0 RATED  
**COLOR:** BLACK  
**TERMINAL:** COPPER ALLOY, FINISH: TIN PLATED.  
**ENVIRONMENTAL:**  
 OPERATING TEMPERATURE RANGE: -40°C/+110°C (-40°F/+230°F)  
**ELECTRICAL:**  
 RATED VOLTAGE: 300V  
 RATED CURRENT: 15A  
**MECHANICAL:**  
 INSERTION FORCE PER POLE: max 3N  
 WITHDRAWL FORCE PER POLE: min 1.5N  
 PCB THICKNESS: max 2.4mm  
 PCB HOLE DIAMETER: min 1.4mm



+0.08 -0.40	40.56	8	1986795-8
+0.08 -0.40	35.48	7	1986795-7
+0.08 -0.30	30.40	6	1986795-6
+0.08 -0.30	25.32	5	1986795-5
+0.08 -0.20	20.24	4	1986795-4
+0.08 -0.20	15.16	3	1986795-3
+0.08 -0.10	10.08	2	1986795-2
TOLERANCE	L	POLES	TE PN

**PRELIMINARY - NOT RELEASED  
 FOR PRODUCTION**

THIS DRAWING IS A CONTROLLED DOCUMENT.		DWN KIRAN HOLAL 26SEP2013	 TE Connectivity	
DIMENSIONS: mm		CHK MERCURIO, MAURIZIO 26SEP2013		
TOLERANCES UNLESS OTHERWISE SPECIFIED:		APVD MERCURIO, MAURIZIO 26SEP2013	NAME TERMI-BLK HDR ASSY 45 SideStk, 5.08mm	
0 PLC ±. 1 PLC ±0.1 2 PLC ±0.01 3 PLC ±0.001 4 PLC ±0.0001 ANGLES ±.		PRODUCT SPEC -	RESTRICTED TO -	
MATERIAL -		FINISH -	APPLICATION SPEC -	SIZE A3
		WEIGHT -	Customer Drawing	CAGE CODE -
			DRAWING NO C=1986795	SCALE 3:1
				SHEET 1 OF 1
				REV 1