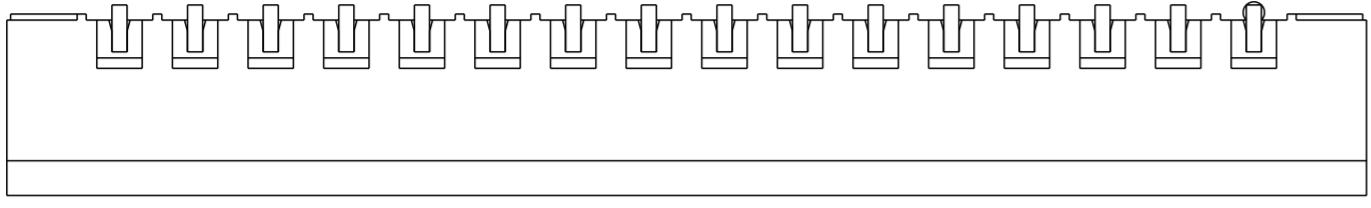


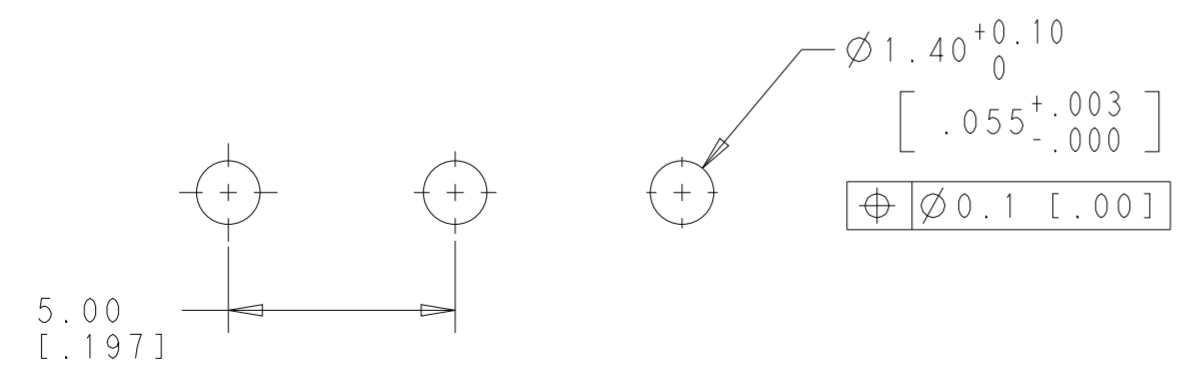
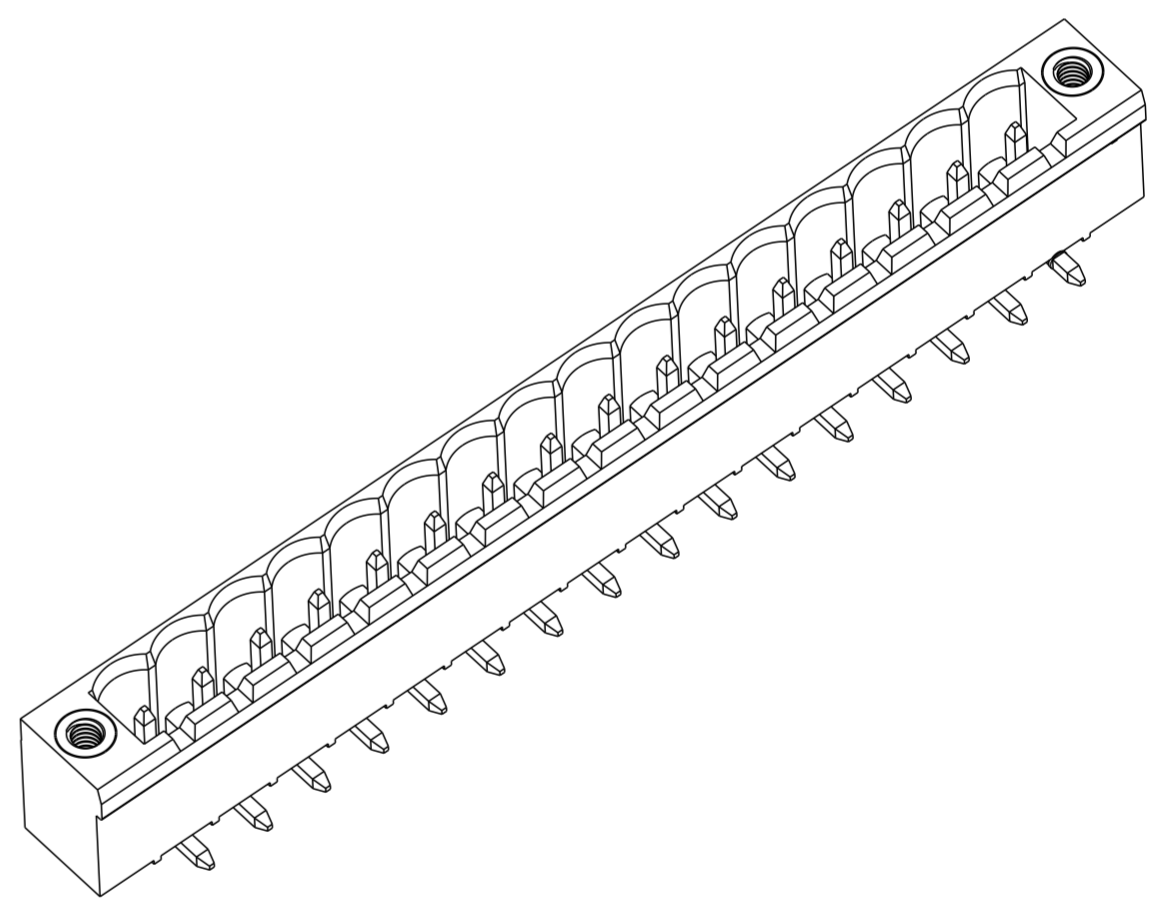
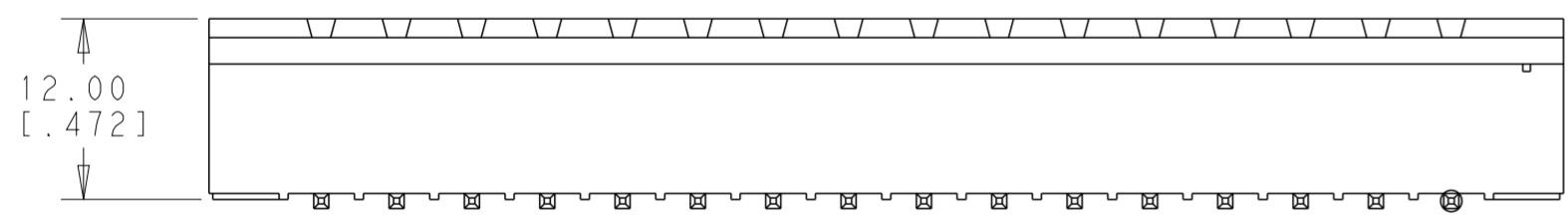
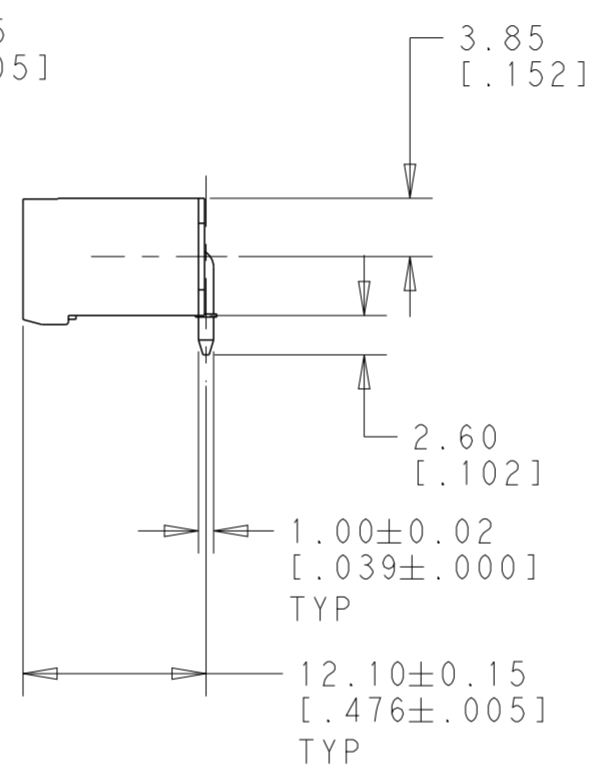
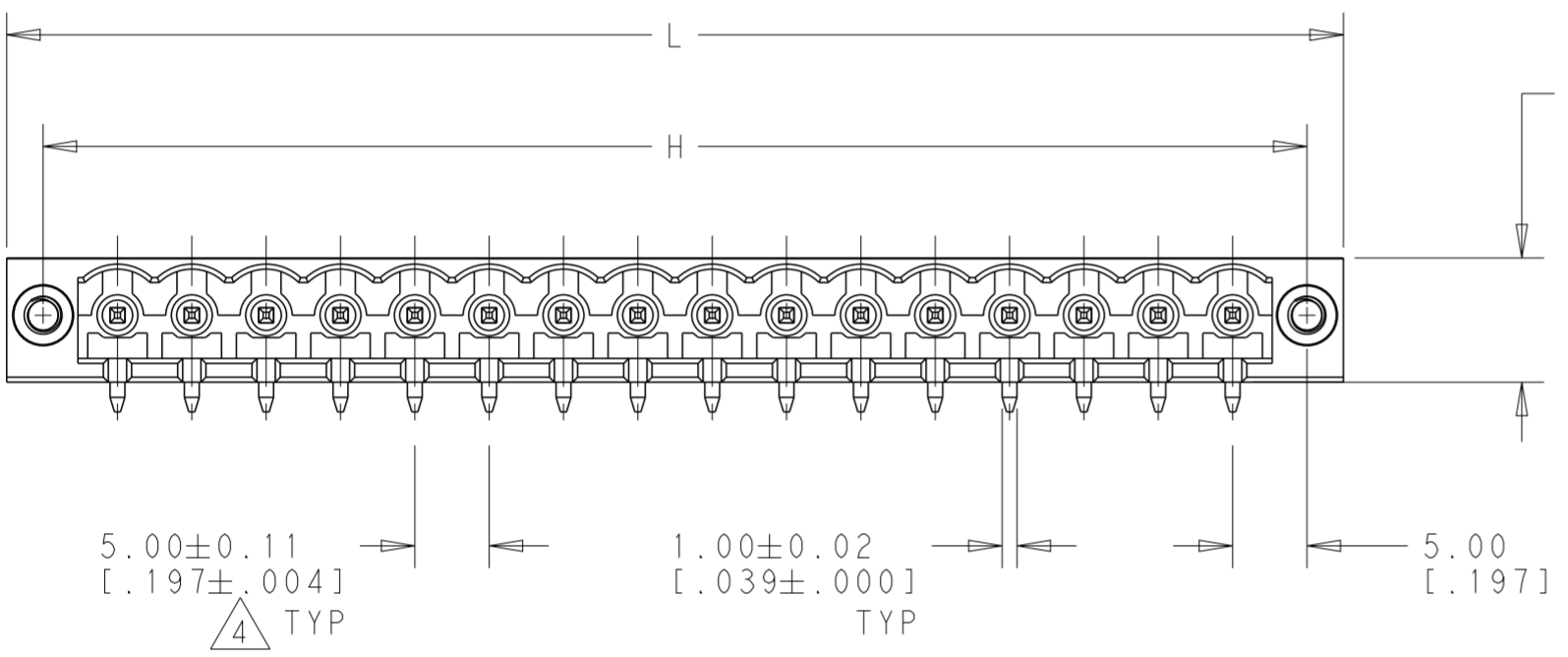
THIS DRAWING IS UNPUBLISHED. RELEASED FOR PUBLICATION 20
 © COPYRIGHT 20 BY - ALL RIGHTS RESERVED.

LOC		DIST		REVISIONS			
P	LTR	DESCRIPTION	DATE	DWN	APVD		
1		NEW DRAWING	21SEP2012	KH	MB		



- MATERIALS AND FINISH:
HOUSING: PA 6-6, UL 94-V0, COLOR: GREEN
TERMINAL: PHOSPHOR BRONZE, TIN PLATED.
- MECHANICAL CHARACTERISTICS:
RECOMMENDED PCB THICKNESS: 1.6MM - 2.4MM
PCB HOLE DIAMETER MIN 1.4MM (.055 IN)
OPERATING TEMPERATURE RANGE: - 40°C TO 110°C (-40°F TO 230°F)
- ELECTRICAL CHARACTERISTICS:
RATED VOLTAGE: 300 V
RATED CURRENT: 15A

⚠ NOT CUMULATIVE TOLERANCE.



90.0 [3.54]	85.0 [3.35]	16	1-1986761-6
L	H	NO OF POSITION	PART NUMBER

THIS DRAWING IS A CONTROLLED DOCUMENT.		DWN KIRAN, HOLA 21SEP2012	TE Connectivity	
DIMENSIONS: mm [INCHES]		CHK BRUBAKER, MARK 21SEP2012	NAME TERMINAL BLOCK HEADER ASSEMBLY, 270 DEGREE, WITH FLANGE, 5.00mm PITCH	
TOLERANCES UNLESS OTHERWISE SPECIFIED:		APVD BRUBAKER, MARK 21SEP2012	APPLICATION SPEC	
0 PLC ±		PRODUCT SPEC		
1 PLC ±0.2		WEIGHT		
2 PLC ±0.25		SCALE 1:1		
3 PLC ±		SHEET 1 OF 1		
4 PLC ±		REV 1		
ANGLES ±		CUSTOMER DRAWING		
FINISH		RESTRICTED TO		

PRELIMINARY - NOT RELEASED FOR PRODUCTION