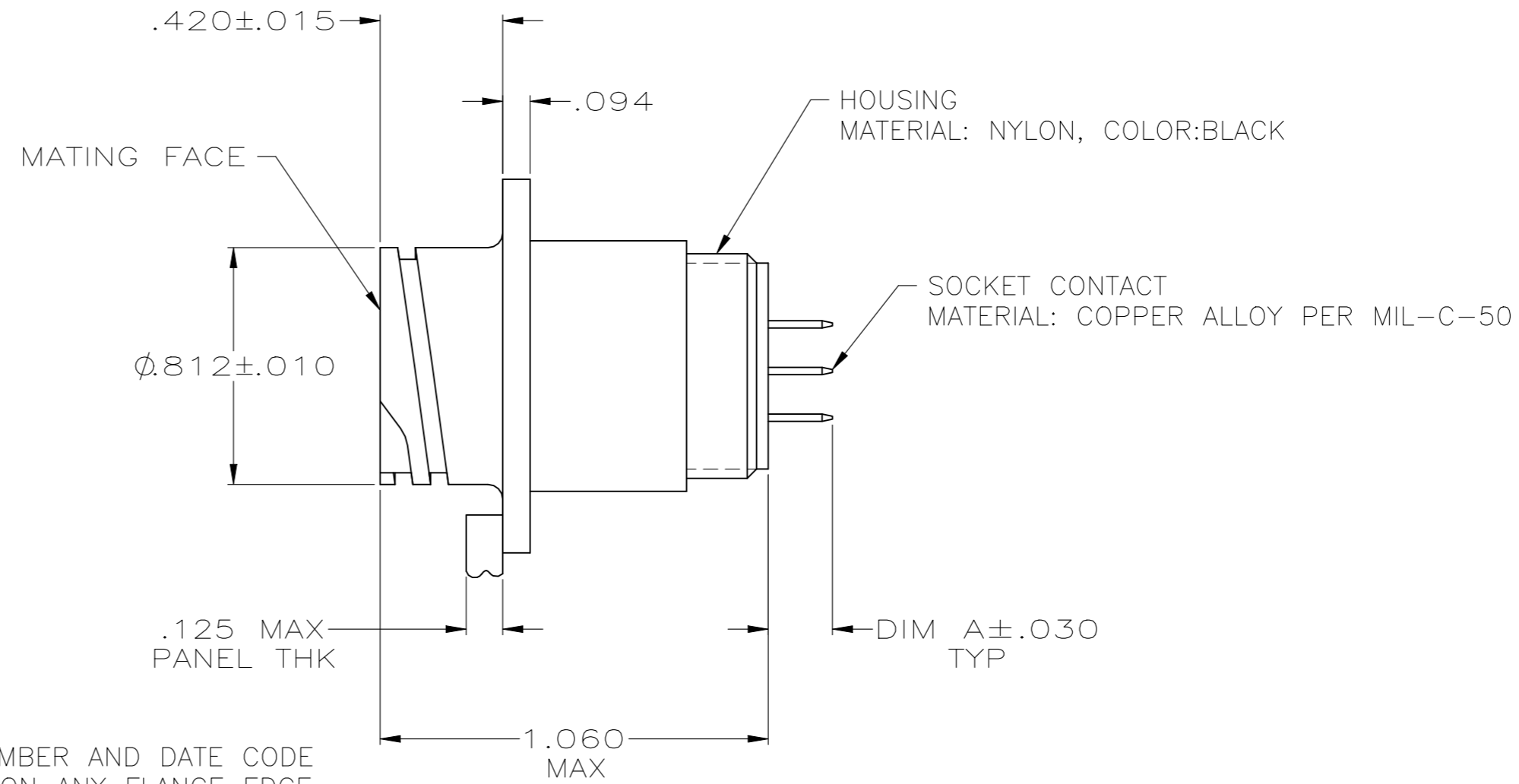
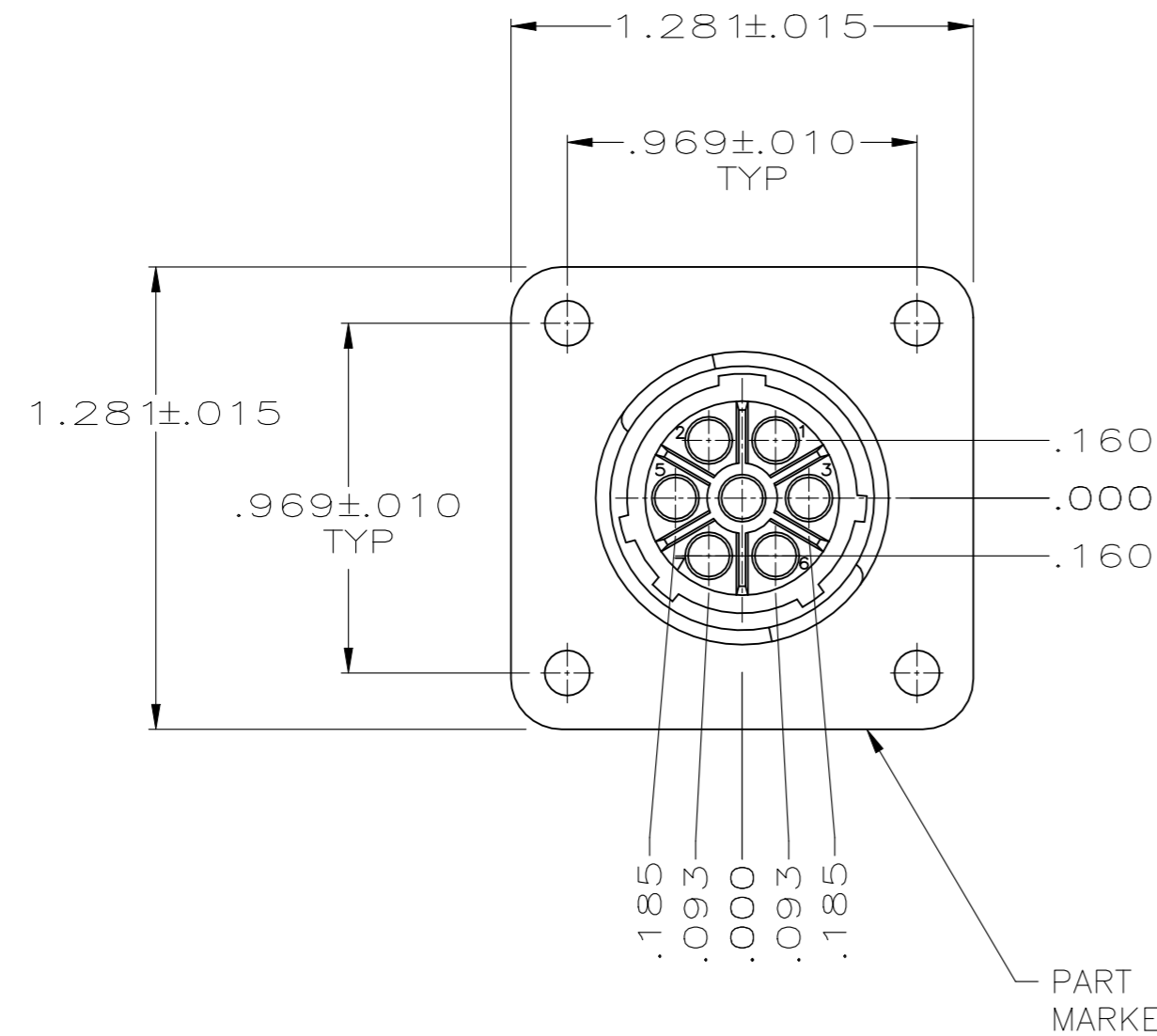


REVISIONS					
P	LTR	DESCRIPTION	DATE	DWN	APVD
D4		REVISED PER ECR-22-150475	26AUG2022	RK	MZ

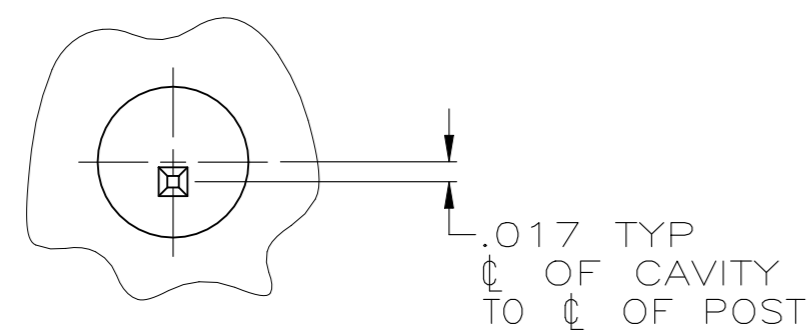
- 1 CONTACT BODY: 30 μIN MIN GOLD IN CONTACT AREA, 5 μIN MIN GOLD ON REMAINDER, OVER 30 μIN MIN NICKEL.  
CONTACT POST: 100 μIN MIN TIN OVER 50 μIN MIN NICKEL.
- 2 CONTACT BODY: 30 μIN MIN GOLD IN CONTACT AREA, OVER 30 μIN MIN NICKEL.  
CONTACT POST: 100 μIN MIN TIN-LEADED, OVER 50 μIN MIN NICKEL.



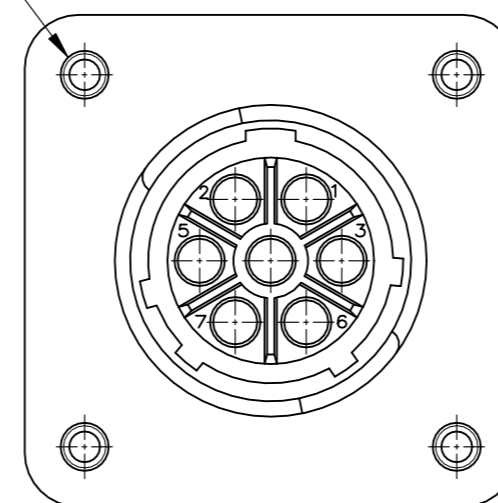
PART NUMBER AND DATE CODE MARKED ON ANY FLANGE EDGE

OBSOLETE	.220	1986377-3
	.557	1986377-2
	.220	1986377-1
DIM A	PART NUMBER	

4-40 THREADED INSERTS QTY: 4 MATERIAL: BRASS



POST ARRANGEMENT ON REAR FACE  
SCALE 6:1



1986377-2

YES	1	1986377-3
YES	2	1986377-2
NO	1	1986377-1
4-40 THREADED INSERTS	CONTACT FINISH	PART NUMBER

THIS DRAWING IS A CONTROLLED DOCUMENT.		DWN	S SCHLEGEL	2/27/08		TE Connectivity				
DIMENSIONS: INCHES		CHK	S HEADER	2/27/08		RECEPTACLE ASSY, POSTED, REV SEX, SERIES 1, SIZE 13-7, CPC				
TOLERANCES UNLESS OTHERWISE SPECIFIED:		APVD	S HEADER	2/27/08		SIZE	CAGE CODE	DRAWING NO	RESTRICTED TO	
0 PLC ± - 1 PLC ± - 2 PLC ± 0.13 [.005] 3 PLC ± - 4 PLC ± - ANGLES ± -		PRODUCT SPEC	-			A2	00779	C=1986377	-	
MATERIAL SEE CALLOUTS		FINISH	-		WEIGHT	-		CUSTOMER DRAWING		
					SCALE	2:1	SHEET	1 OF 1	REV	D4