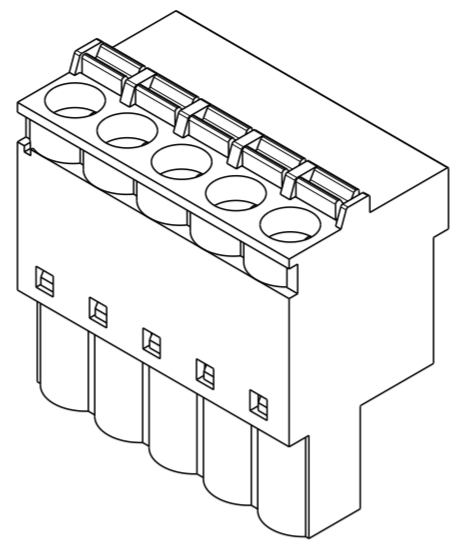
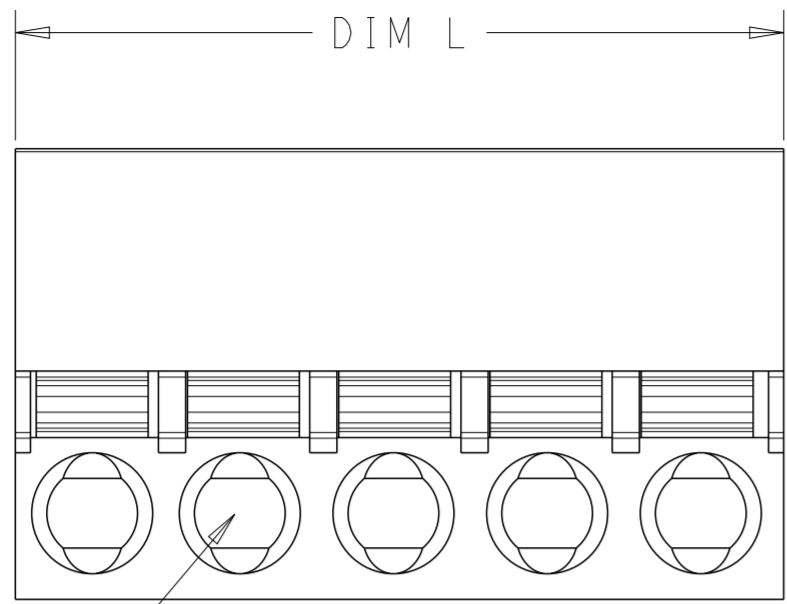
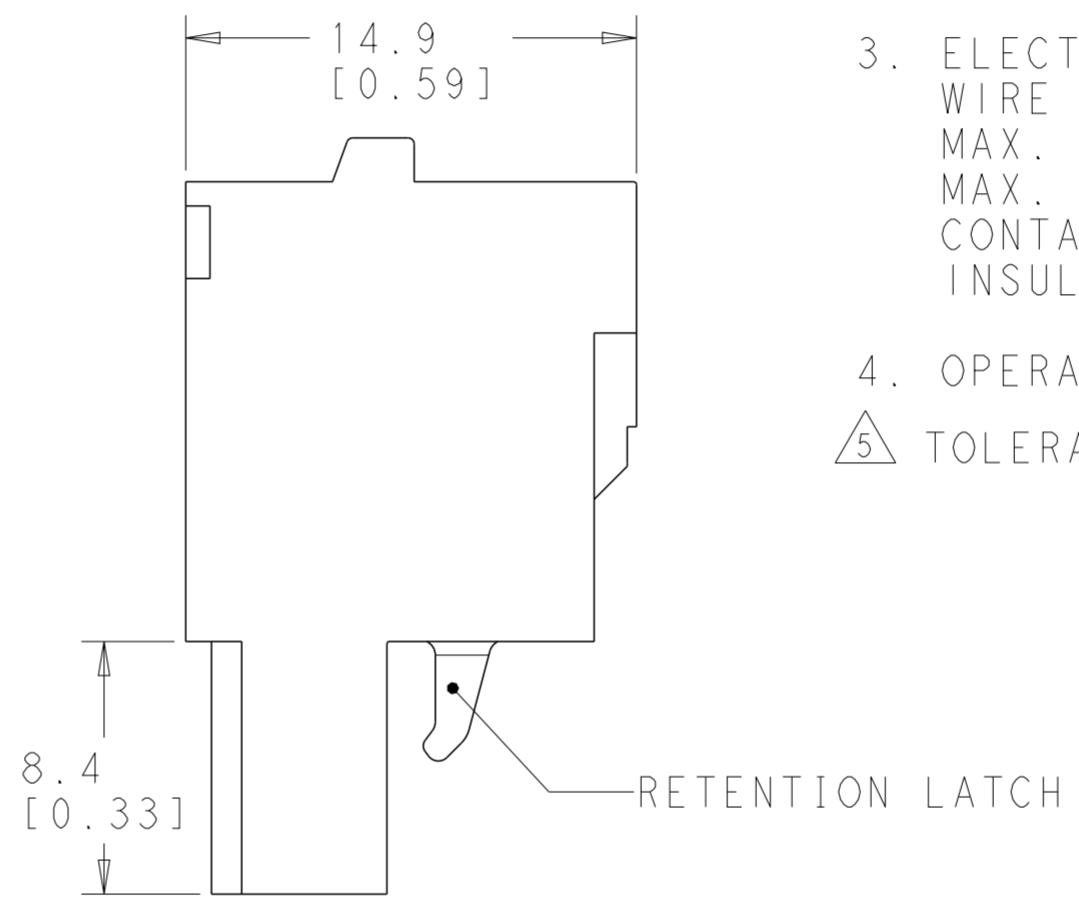
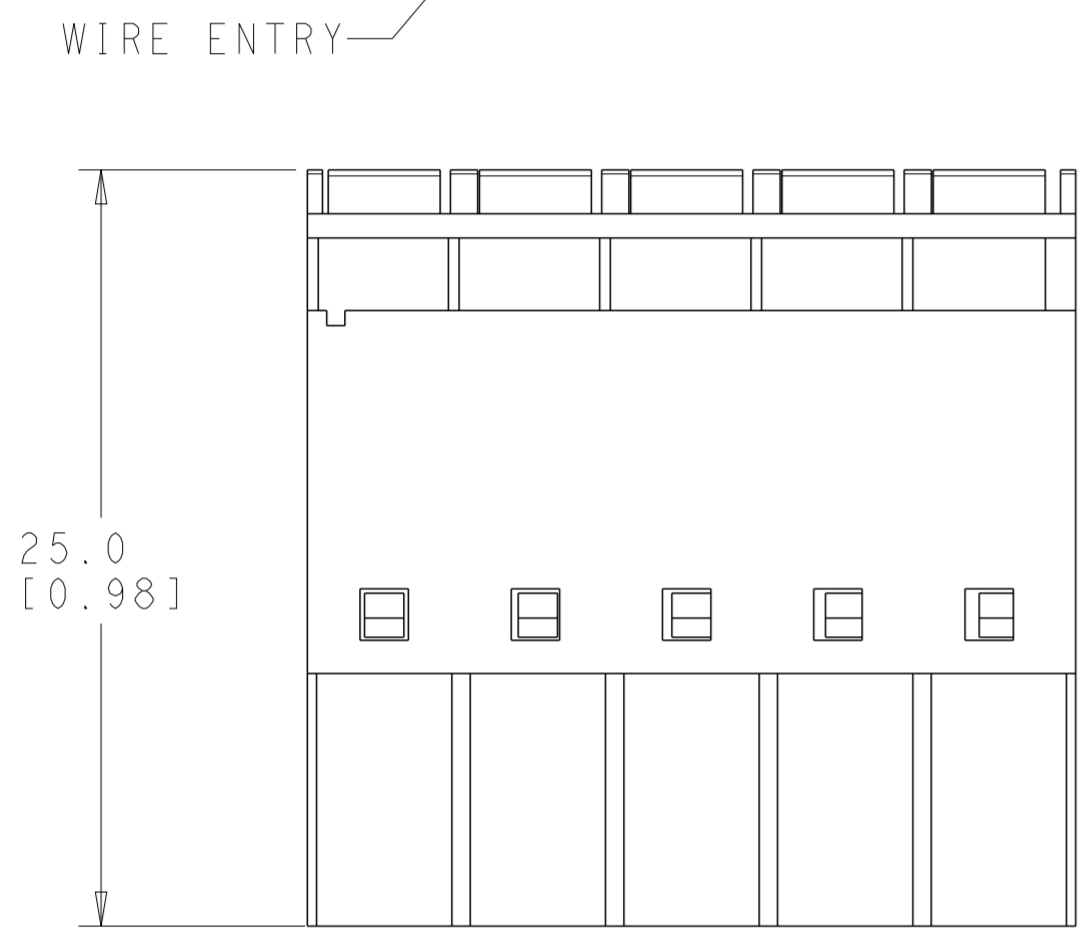


THIS DRAWING IS UNPUBLISHED. RELEASED FOR PUBLICATION 20  
 © COPYRIGHT 20 BY - ALL RIGHTS RESERVED.

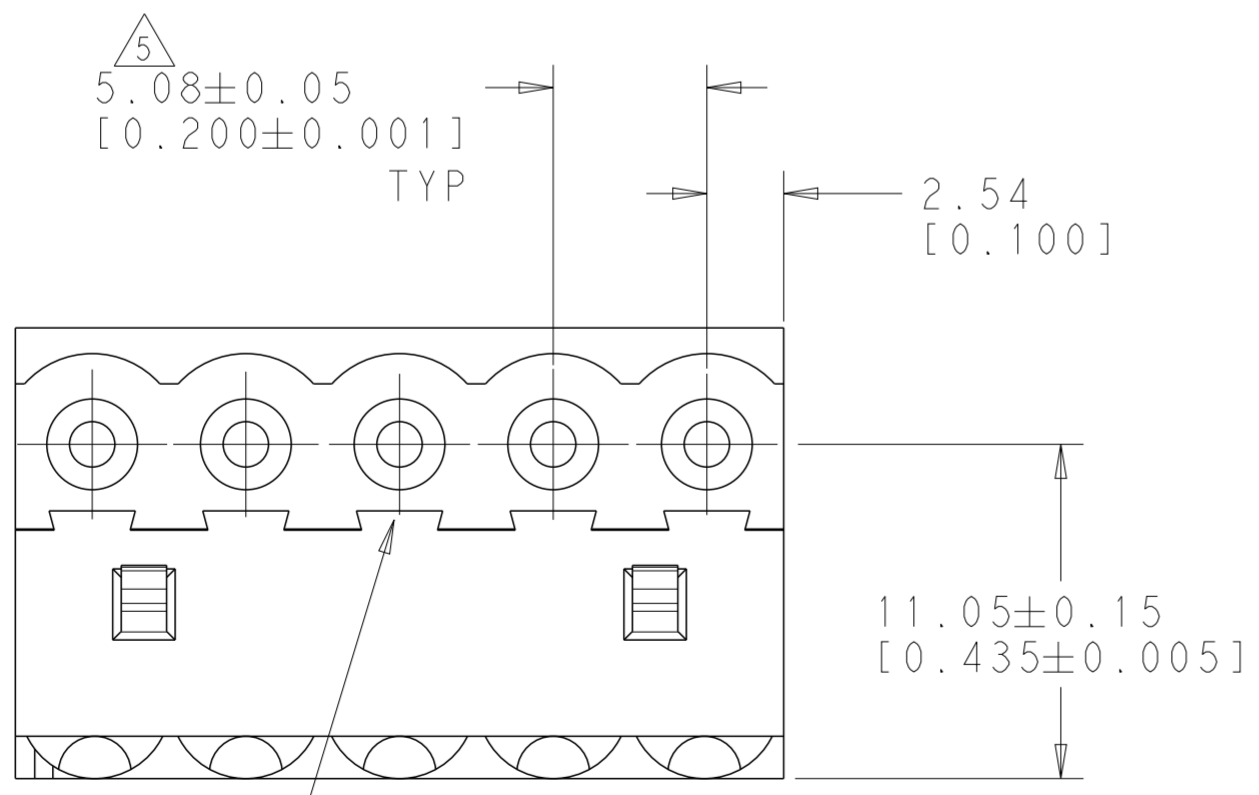
| LOC |     | DIST                                     |           | REVISIONS |      |  |  |
|-----|-----|--|-----------|-----------|------|--|--|
| P   | LTR | DESCRIPTION                              | DATE      | DWN       | APVD |  |  |
| A   |     | PARTS RELEASED FOR PRODUCTION            | 10JAN2019 | RK        | PS   |  |  |
| B   |     | SHADE CHANGE IN ORANGE PUSH BUTTON COLOR | 09MAY2023 | SP        | PS   |  |  |



- NOTES:
- MATERIALS & FINISH  
 HOUSING : PA66, UL94 V0, COLOR -GREEN  
 PUSH BUTTON : PA66, COLOR - ORANGE.  
 CONTACT : COPPER ALLOY, TIN PLATED  
 SPRING : STEEL
  - MECHANICAL  
 MAX. INSERTION FORCE PER POLE : 3.0 N  
 MIN. WITHDRAWAL FORCE PER POLE : 1.5 N  
 WIRE STRIPPING LENGTH : 10.0 mm
  - ELECTRICAL  
 WIRE RANGE : 14-30 AWG  
 MAX. VOLTAGE : 300V  
 MAX. CURRENT : 12A  
 CONTACT RESISTANCE : <15 m Ohm  
 INSULATION RESISTANCE : >1000 M Ohm (500V DC)
  - OPERATING TEMPERATURE RANGE : -40°C TO +105°C
- △ TOLERANCE NOT CUMULATIVE



|     |                        |             |
|-----|------------------------|-------------|
| 18  | 91.44[3.600]           | 1-1986262-8 |
| 17  | 86.36[3.400]           | 1-1986262-7 |
| 16  | 81.28[3.200]           | 1-1986262-6 |
| 15  | 76.20[3.000]           | 1-1986262-5 |
| 14  | 71.12[2.800]           | 1-1986262-4 |
| 13  | 66.04[2.600]           | 1-1986262-3 |
| 12  | 60.96[2.400]           | 1-1986262-2 |
| 11  | 55.88[2.200]           | 1-1986262-1 |
| 10  | 50.80[2.000]           | 1-1986262-0 |
| 9   | 45.72[1.800]           | 1986262-9   |
| 8   | 40.64[1.600]           | 1986262-8   |
| 7   | 35.56[1.400]           | 1986262-7   |
| 6   | 30.48[1.200]           | 1986262-6   |
| 5   | 25.40[1.000]           | 1986262-5   |
| 4   | 20.32[0.800]           | 1986262-4   |
| 3   | 15.24[0.600]           | 1986262-3   |
| 2   | 10.16[0.400]           | 1986262-2   |
| POS | DIM L ±0.40<br>[±.015] | PART NO     |



POLARIZATION KEY SLOT

THIS DRAWING IS A CONTROLLED DOCUMENT.

DWN: KIRN, HOLA 11 JAN 2013  
 CHK: BRUBAKER, MARK 11 JAN 2013  
 APVD: BRUBAKER, MARK 11 JAN 2013

**STE** TE Connectivity

NAME: SPRING FEMALE PLUG, GREEN, 5.08 MM PITCH

SIZE: A2 CAGE CODE: 00779 DRAWING NO: C-1986262 RESTRICTED TO: -

MATERIAL: SEE NOTES DIMENSIONS: mm [INCHES] TOLERANCES UNLESS OTHERWISE SPECIFIED: 0 PLC ±.3 1 PLC ±0.25 [0.012] 2 PLC ±.25 [0.012] 3 PLC ±.009 4 PLC ±.009 ANGLES ±2° FINISH: SEE NOTES

PRODUCT SPEC: - APPLICATION SPEC: - WEIGHT: -

CUSTOMER DRAWING SCALE: 4:1 SHEET 1 OF 1 REV B