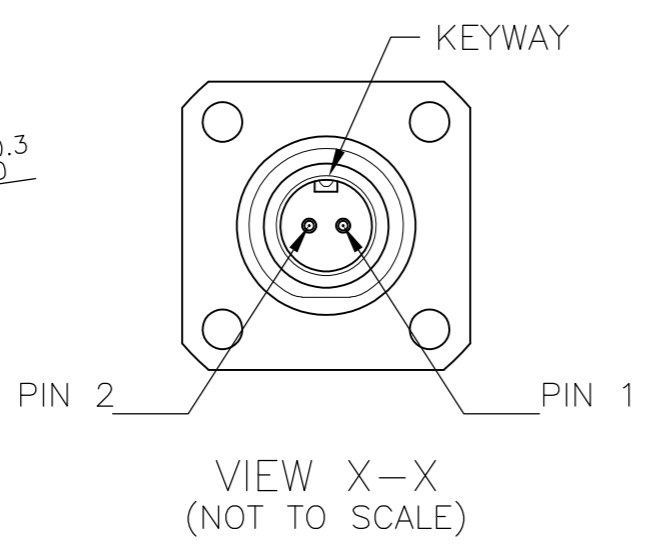
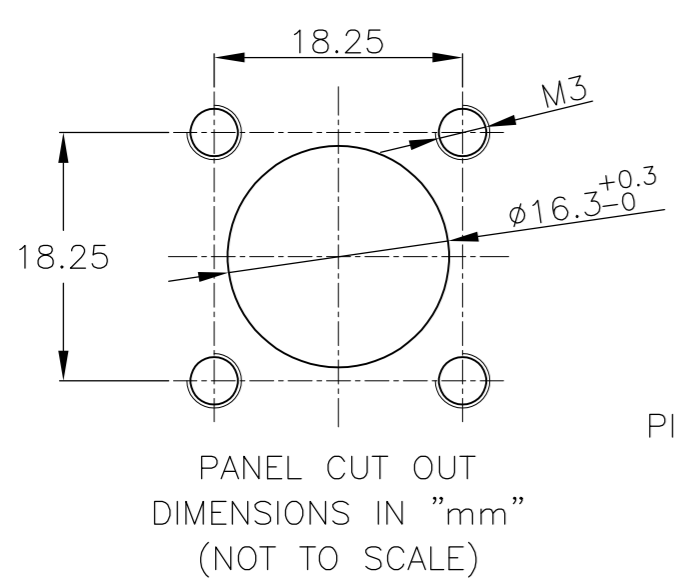
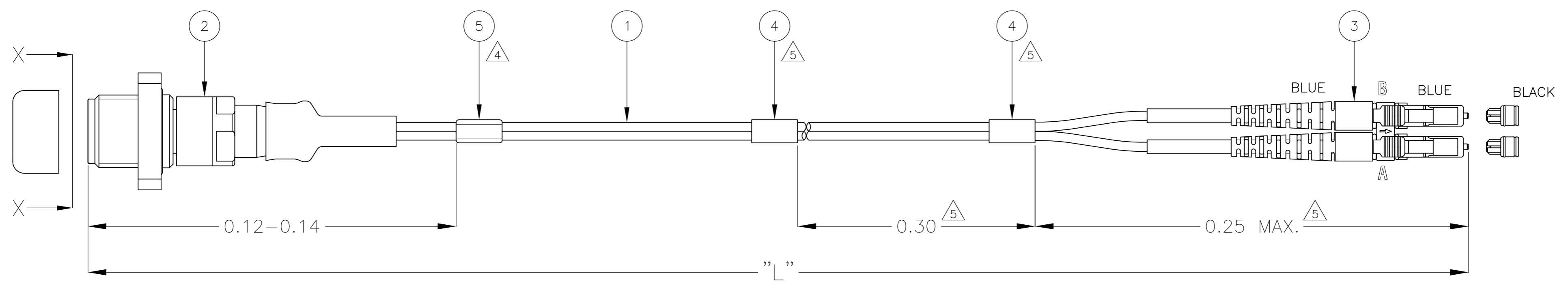


LOC		DIST		REVISIONS			
P	LTR	DESCRIPTION	DATE	DWN	APVD		
H	-	B	ECR-11-005403	01APR2011	RC	AH	



FIBER CONNECTIVITY	
ODC SOCKET	LC CONN.
PIN 1	A
PIN 2	B



STANDARD LENGTHS ACCORDING TO CUSTOMER DRAWING 1985945	
PART NUMBER	"L" (meter) ³
X-1985839-Y	X.Y0

- NOTES:
- REFER TO TE CONNECTIVITY CUSTOMER DRAWING 2064160 FOR CABLE ASSEMBLY LOSS AND WAVELENGTHS THAT CABLE ASSEMBLY LOSS WILL BE TESTED TO
 - MINIMUM RETURN LOSS: 45 dB FOR BOTH ODC AND LC DUPLEX CONNECTOR RETURN LOSS WILL BE TESTED AT 1310 nm AND 1550 nm WAVELENGTHS
 - ³ STANDARD LENGTHS AND LENGTH TOLERANCE ACC. TO TE CONNECTIVITY CUSTOMER DRAWING 1985945
 - ⁴ INFORMATION ON LABEL SEE DETAIL:
 - BARCODE
 - UNIQUE SERIAL NUMBER
 - ASSEMBLY LENGTH
 - TE CONNECTIVITY PART NUMBER
 - TE CONNECTIVITY ORDER NUMBER
 - ⁵ ONE PIECE OF ITEM 4 IS PLACED AT THE BREAKOUT POINT OF THE ASSEMBLY OTHER PIECES REPEATED AT APPROXIMATELY 0.30 METER FROM EACH OTHER
- * FOR L < 0.4 METER LABEL IS PLACED INSIDE OR WITH THE UNIT PACKAGE
 * BREAKOUT DIMENSION DOES NOT APPLY FOR L < 0.4 METER

Qty	Description	Item
1	FOAC INFORMATION LABEL	5
⁵ AR	FOAC EXPANDABLE TUBING, BLACK	4
1	LC DUPLEX CONNECTOR ASSEMBLY, SINGLE MODE, BLUE	3
1	FOKIT ODC SOCKET ASSEMBLY, 2 FIBER, SINGLE MODE, VINYL CAP	2
L	FOCAB ODC 1.9 mm 2FOLD, SINGLE MODE 9/125, YELLOW	1

THIS DRAWING IS A CONTROLLED DOCUMENT.		DWN: R. COOLEN 23DEC2008		
DIMENSIONS: METERS		CHK: A. HENGELMOLEN 19FEB2009		
TOLERANCES UNLESS OTHERWISE SPECIFIED:		APVD: A. HENGELMOLEN 19FEB2009	NAME: FIBER OPTIC ODC LEAD	
0 PLC ± - 1 PLC ± - 2 PLC ± - 3 PLC ± - 4 PLC ± - ANGLES ± -		PRODUCT SPEC: -	2 FOLD SOCKET - LC DUPLEX	
MATERIAL: -		APPLICATION SPEC: -	SINGLE MODE 9/125	
FINISH: -		WEIGHT: -	SIZE: A2	RESTRICTED TO: -
		CUSTOMER DRAWING	CAGE CODE: 00779	DRAWING NO: 1985839
			SCALE: NTS	SHEET: 1 of 1
				REV: B

1985839