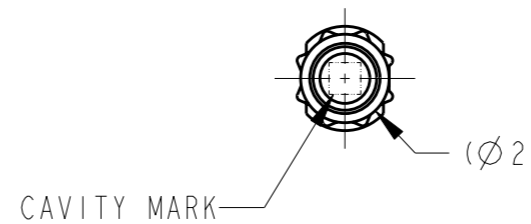
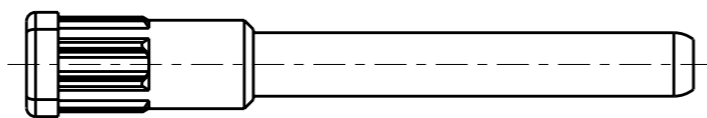
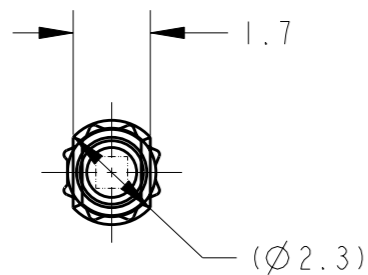
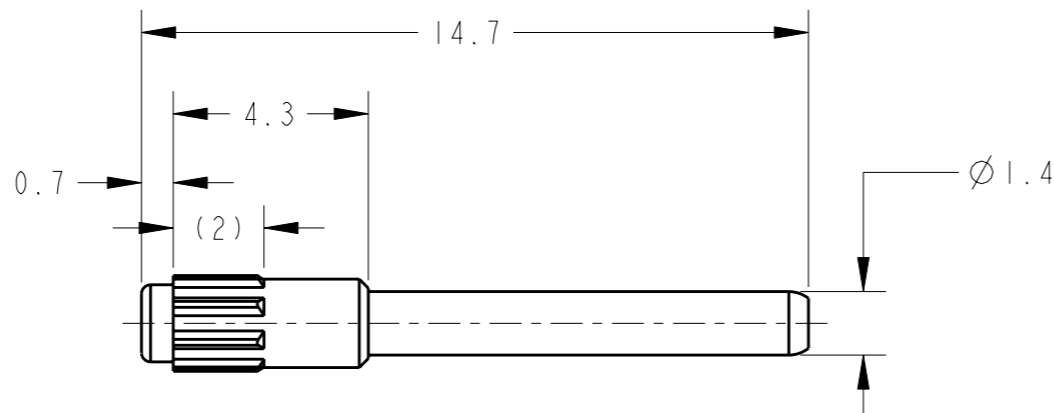


THIS DRAWING IS UNPUBLISHED. RELEASED FOR PUBLICATION APR. 2011
 © COPYRIGHT 2011 BY Tyco Electronics Japan G.K. ALL RIGHTS RESERVED.

LOC	DIST	REVISIONS					
		P	LTR	DESCRIPTION	DATE	DWN	APVD
J	-		A	RELEASED	14JAN09	SS	HY
			AI	REVISED ECR-11-007128	06APR11	RK	HY



1. MATING CONNECTOR TE P/N: SEE TABLE-1
 2. HANDLING OF THIS PART SHOULD FOLLOW INSTRUCTION SHEET NO. 411-78252.

1. 嵌合相手品番: TABLE-1参照
 2. 本部品取扱は取扱説明書NO. 411-78252に従うこと。

TABLE-1

POS 極数	PLUG ASSEMBLY PART NO プラグ型番
60	1939938
140	1939927

NATURAL	1981561-2
COLOR	P/N

THIS DRAWING IS A CONTROLLED DOCUMENT.		DWN S. SHISHIKURA 14JAN09	TE Connectivity													
DIMENSIONS: 単位: 耗 mm		CHK K. SAKAMAKI 14JAN09														
TOLERANCES UNLESS OTHERWISE SPECIFIED: 一般公差 ±0.3		APVD H. YAMAGAMI 14JAN09	NAME 名称 CAVITY PLUG 0.50 SERIES													
<table border="1"> <tr><td>0-PLC</td><td>±</td></tr> <tr><td>1-PLC</td><td>±0.3</td></tr> <tr><td>2-PLC</td><td>±0.10</td></tr> <tr><td>3-PLC</td><td>±0.001</td></tr> <tr><td>4-PLC</td><td>±0.0001</td></tr> <tr><td>ANGLES</td><td>±5'00"</td></tr> </table>		0-PLC	±	1-PLC	±0.3	2-PLC	±0.10	3-PLC	±0.001	4-PLC	±0.0001	ANGLES	±5'00"	PRODUCT SPEC 製品規格 108-78518	SIZE A3	
0-PLC	±															
1-PLC	±0.3															
2-PLC	±0.10															
3-PLC	±0.001															
4-PLC	±0.0001															
ANGLES	±5'00"															
MATERIAL 材料 PBT		APPLICATION SPEC 取付適用規格 -	CAGE CODE 00779	DRAWING NO 番号 C-1981561												
FINISH 仕上 SEE TABLE		WEIGHT 0.04 g	RESTRICTED TO -	SCALE 尺度 6:1												
CUSTOMER DRAWING			SHEET OF 1	REV AI												