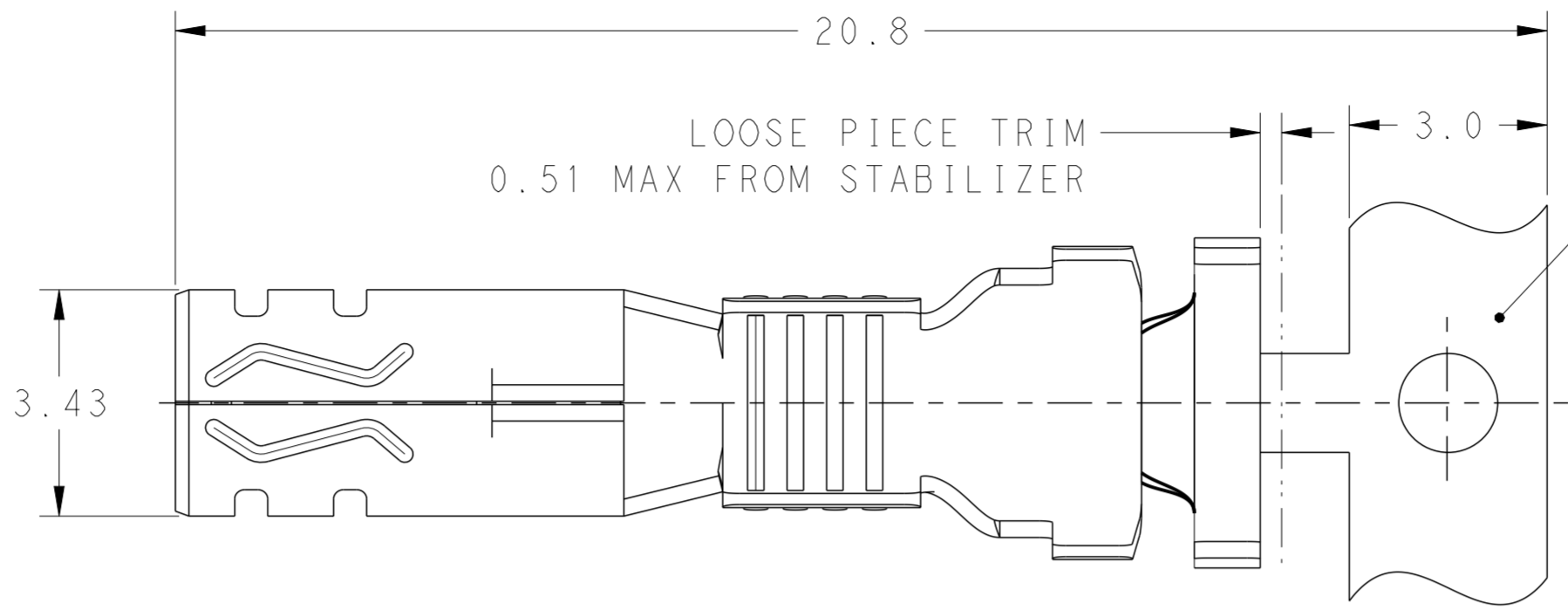
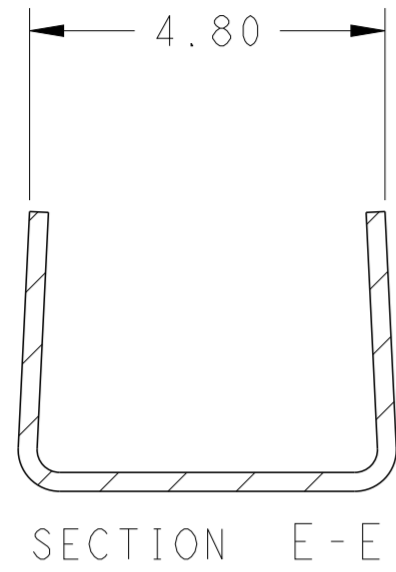
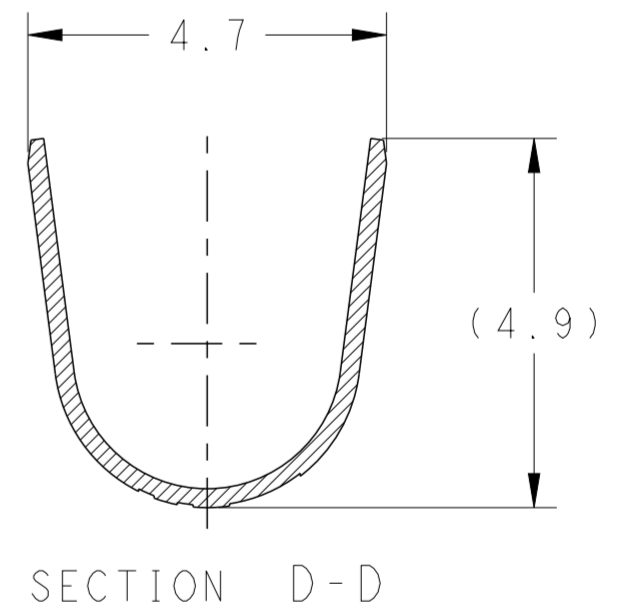
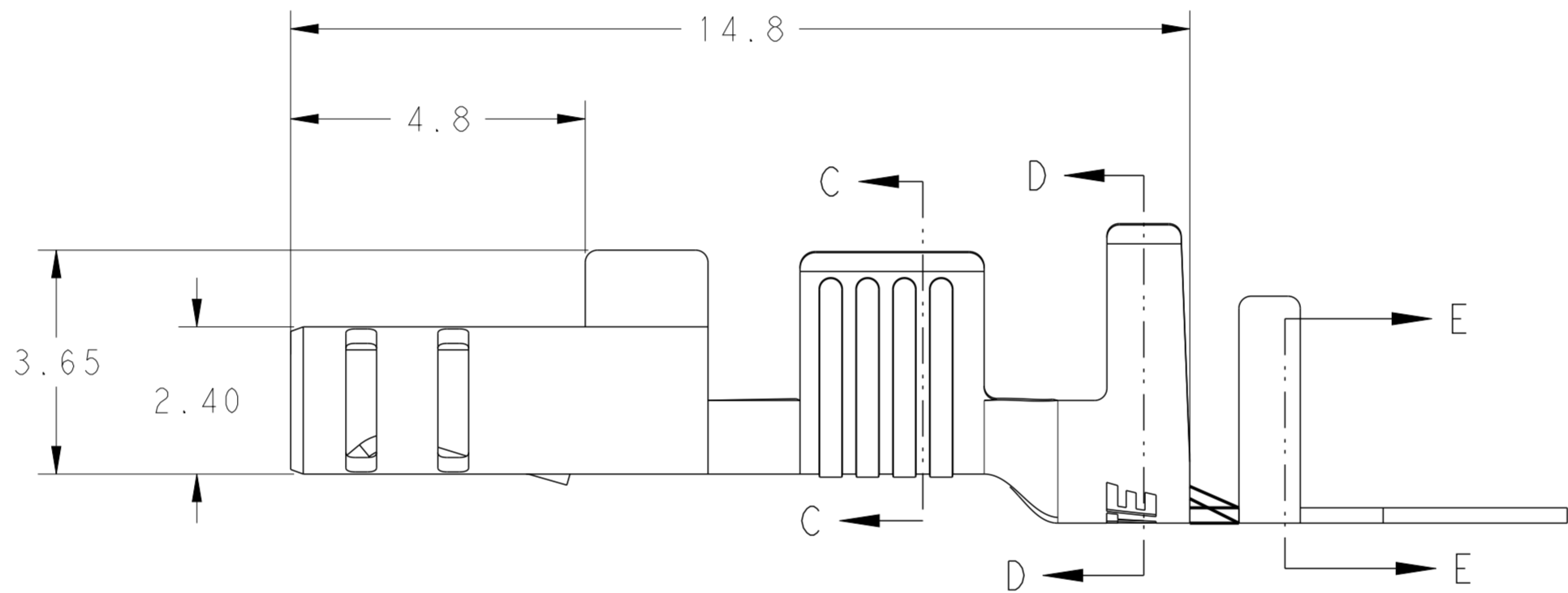
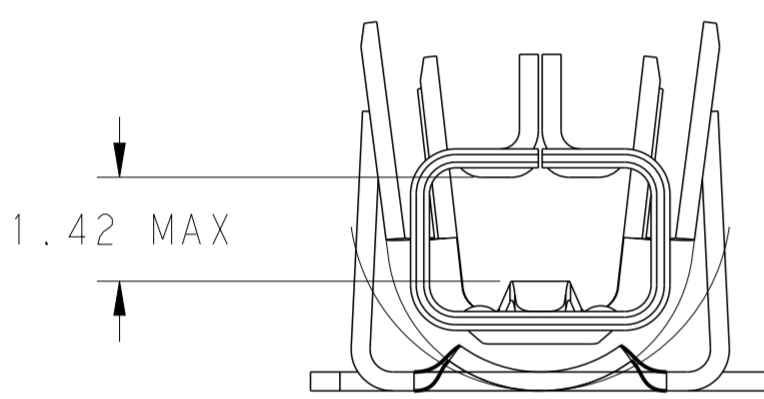
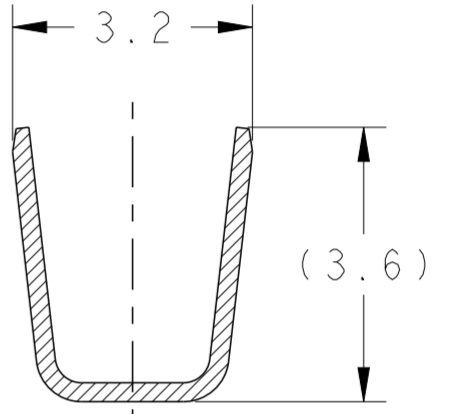


THIS DRAWING IS UNPUBLISHED. RELEASED FOR PUBLICATION 20
 © COPYRIGHT 20 BY - ALL RIGHTS RESERVED.

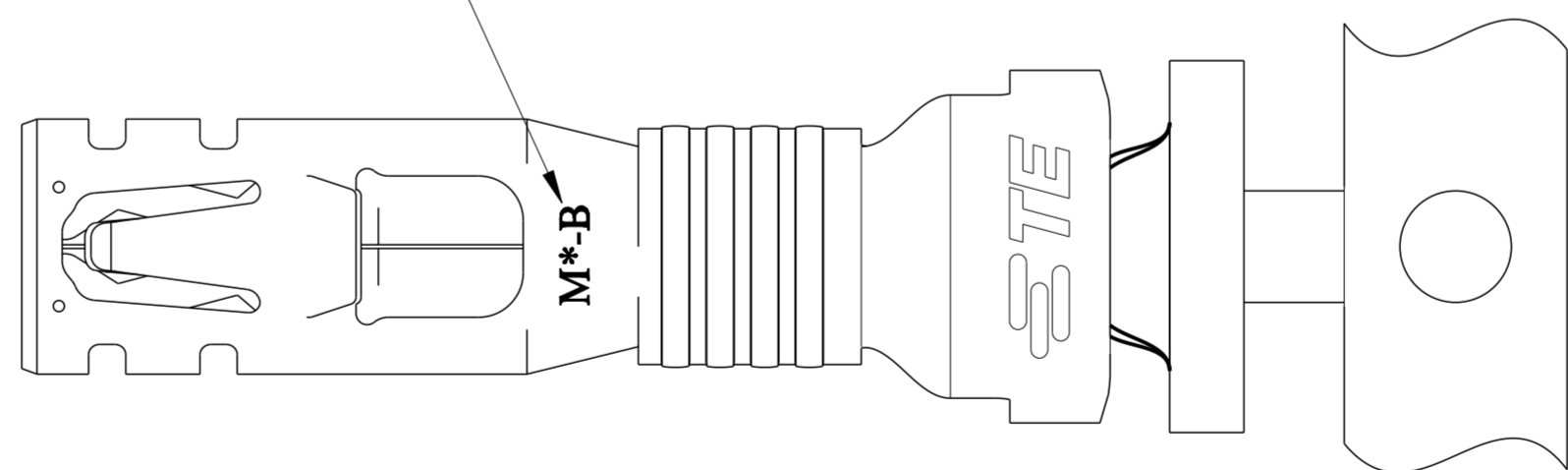
LOC	DIST	REVISIONS			
P	LTR	DESCRIPTION	DATE	DWN	APVD
ES	00				
	E	REVISED PER ECR-21-100678	08APR2021	SS	VS
	F	REVISED PER ECR-23-182543	27JUL2023	SKR	DS



CARRIER NOT PRESENT ON LOOSE PIECE



△ MATERIAL/SIZE MARK



1. RECOMENDED WIRE RANGE: 14 AWG COPPER STRANDED (3500-4300 CMA)
2. APPLICABLE INSULATION DIAMETER: 3.40~3.70mm,
3. APPLICABLE MATED PLUG HOUSING P/N:
 -1971773-/*-1971776-*/*-1971876-*/
 -2232265-/*-2232266-*/*-2232357-*

△ WIRE SIZE INDICATOR "B"=14 AWG

CONFIGURATION	MATERIAL	TEMP. RATING	△ MATERIAL/SIZE MARK	PART NO
LOOSE PIECE	COPPER ALLOY	HIGH 150°C	M0-B	4-1971781-2
CONTINUOUS W CARRIER	COPPER ALLOY	HIGH(150°C)	M0-B	1971781-2
CONTINUOUS W CARRIER	PHOS BRONZE	STANDARD(105°C)	M1-B	1971781-1

THIS DRAWING IS A CONTROLLED DOCUMENT.

DIMENSIONS: mm	TOLERANCES UNLESS OTHERWISE SPECIFIED:	DWN TOMMY WU 11JUL2012	 TE Connectivity RECEPTACLE CONTACT POWER TRIPLE LOCK
		CHK HAPYE WU 11JUL2012	
		APVD YUHONG MAO 11JUL2012	
		NAME	
		PRODUCT SPEC 108-106118	RESTRICTED TO
		APPLICATION SPEC 114-106118	SIZE A2 CAGE CODE 00779 DRAWING NO 1971781
MATERIAL SEE TABLE	PRE-TIN	WEIGHT -	SCALE 6:1 SHEET 1 OF 1 REV F

Customer Drawing