

THIS DRAWING IS UNPUBLISHED. RELEASED FOR PUBLICATION
 © COPYRIGHT - BY - ALL RIGHTS RESERVED.

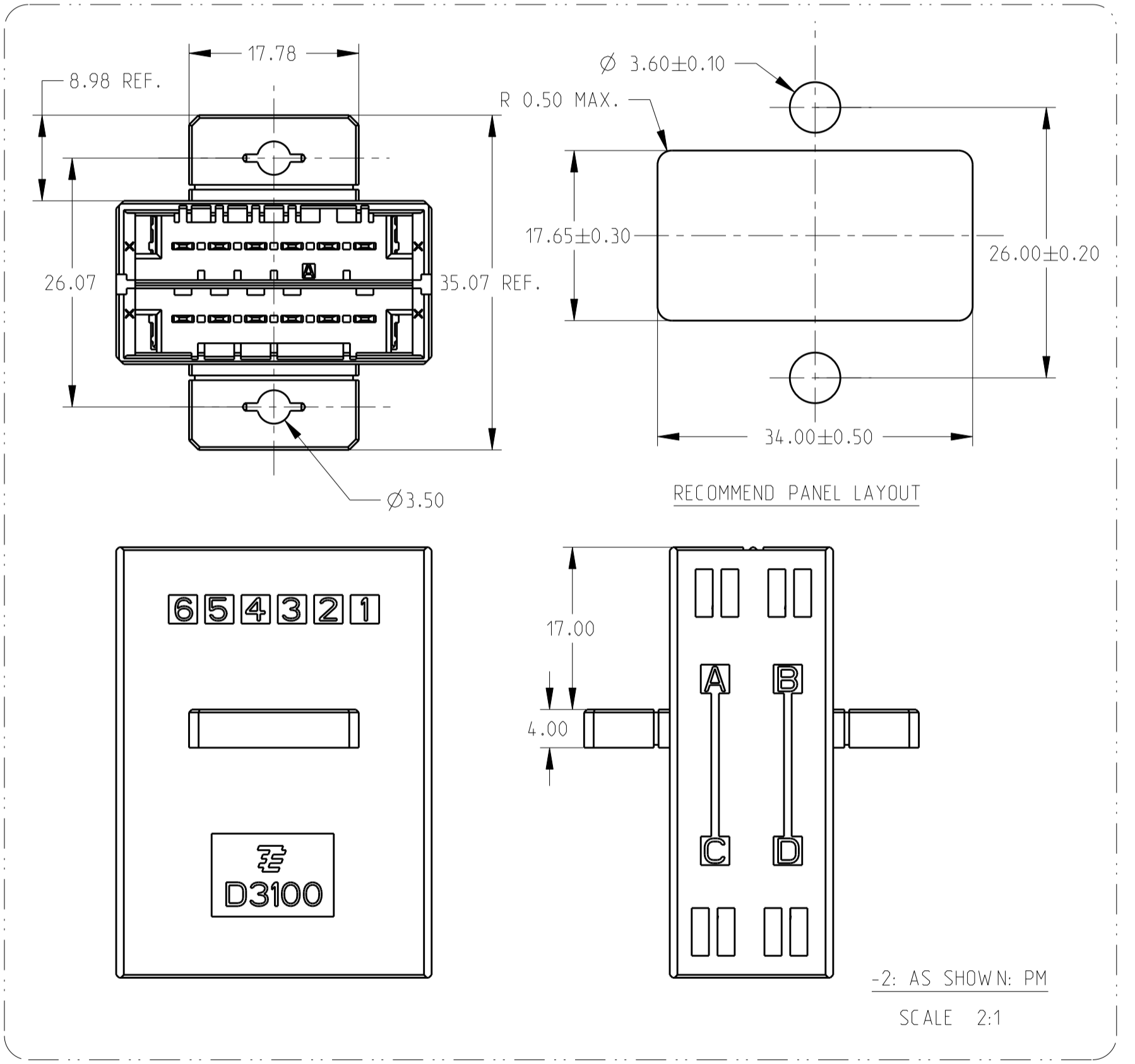
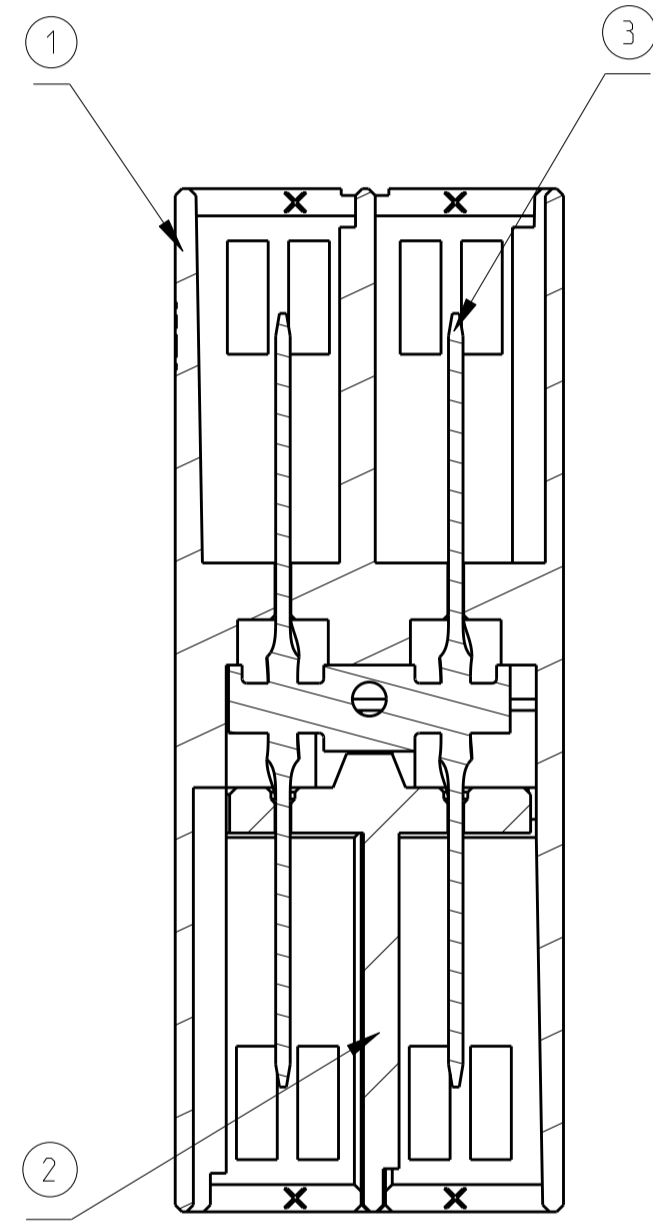
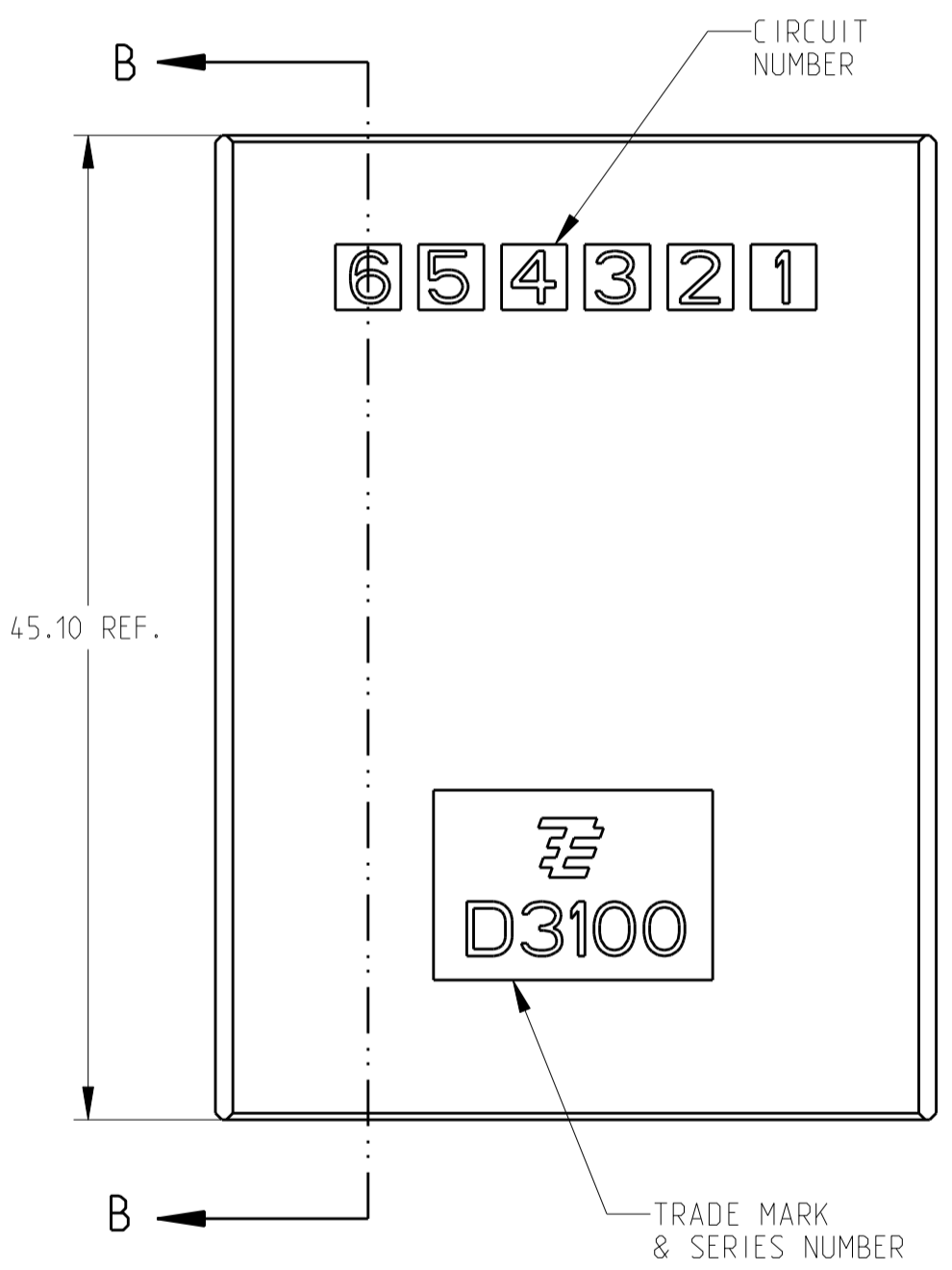
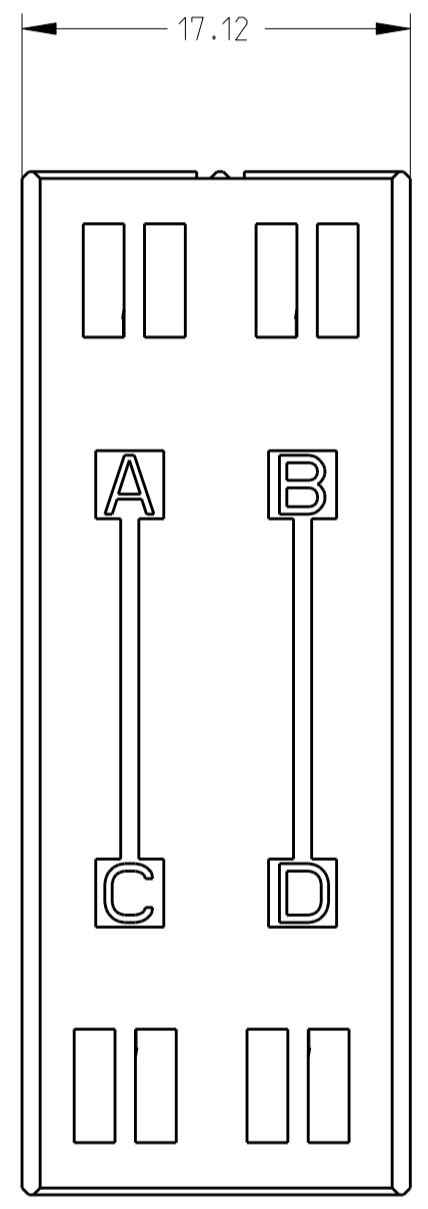
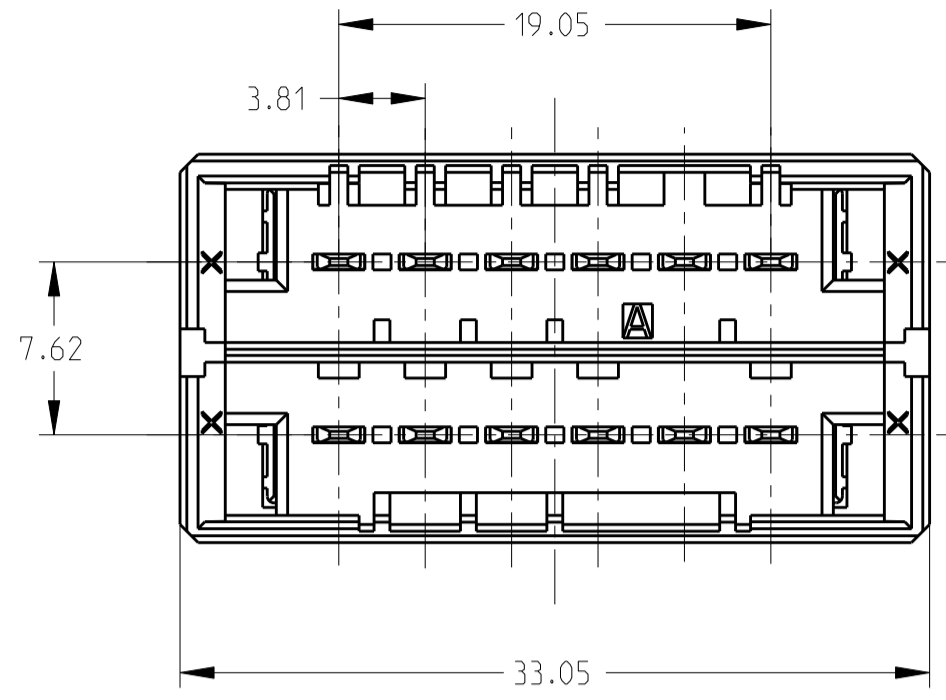
LOC		DIST		REVISIONS			
P	LTR	DESCRIPTION	DATE	DWN	APVD		
ES	00						
	A	RELEASED	31OCT2006	S.W.	J.Z.		
	B	ECR-10-014510	16JUL2010	D.C.	J.Z.		
	B1	ECR-12-009212	18MAY2012	D.C.	D.Z.		

NOTE:
 1. GENERAL TOLERANCE: ±0.4
 2. COMPONENT TABLE

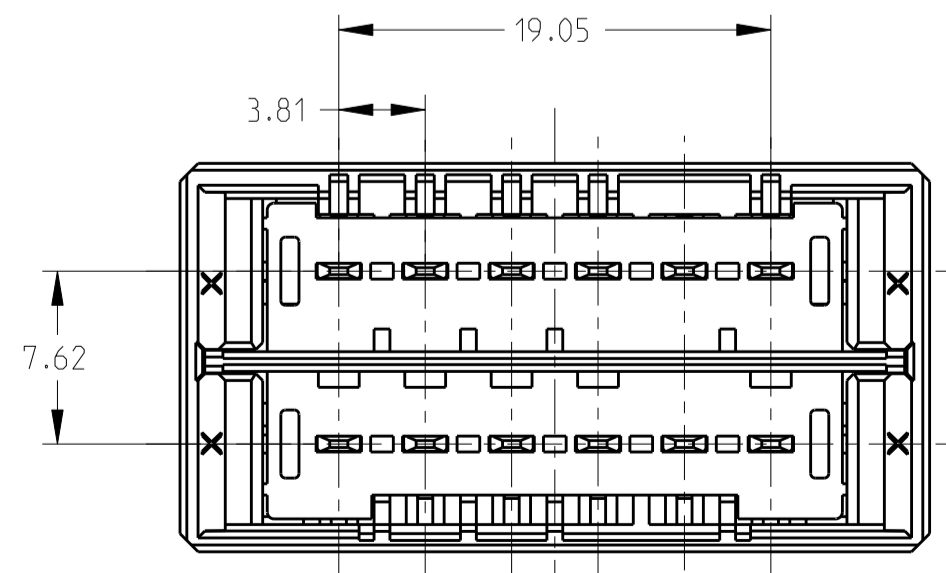
NO	NAME	MATERIAL	QTY	COLOR
①	BASE HOUSING	PBT,15% GF,UL94V-0	1	BLACK
②	MATING BLOCK	PBT,15% GF,UL94V-0	1	BLACK
③	TAB CONTACT	MATERIAL: COPPER ALLOY, FINISH: UNDER PLATING Ni CONTACT AREA Au	6	

3. MATING PLUG HSG: 1-178288-6

-1: AS SHOWN: FH



-2: AS SHOWN: PM
 SCALE 2:1



THIS DRAWING IS A CONTROLLED DOCUMENT.		DWN SAM WU 31OCT2006	STE TE Connectivity	
DIMENSIONS: mm		CHK QOISHI AKIO 31OCT2006		
TOLERANCES UNLESS OTHERWISE SPECIFIED:		APVD JULIAN ZHOU 31OCT2006	NAME DYNATAP CONNECTOR JUNCTION TYPE 24 POS (6X4) ASSY	
0 PLC ±0.5		PRODUCT SPEC	SIZE A2 CAGE CODE 00779 DRAWING NO C-1971003 RESTRICTED TO	
1 PLC ±0.5		APPLICATION SPEC	SCALE 3:1 SHEET 1 OF 1 REV B1	
2 PLC ±0.13		WEIGHT		
3 PLC ±0.013		CUSTOMER DRAWING		
4 PLC ±0.0001				
ANGLES ±				
FINISH				