

THIS DRAWING IS UNPUBLISHED.

RELEASED FOR PUBLICATION

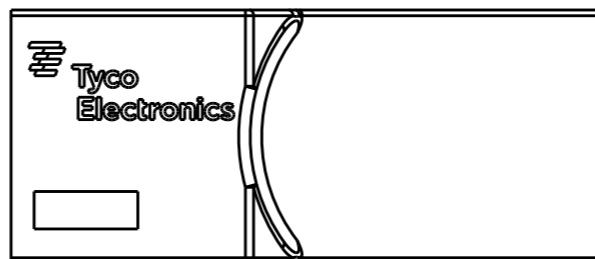
20

© COPYRIGHT 20 BY -

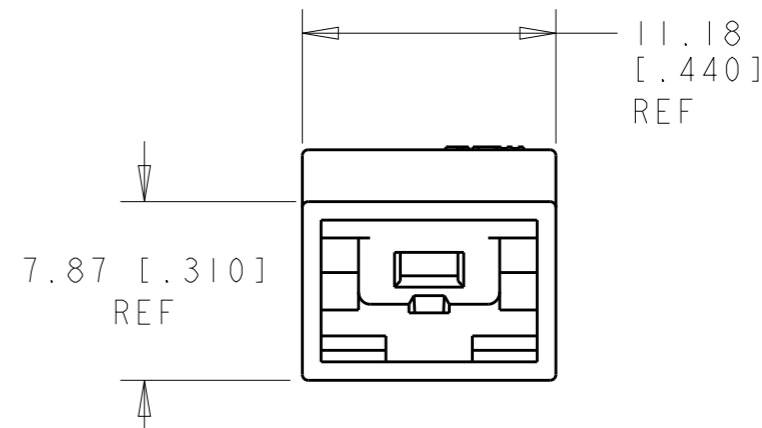
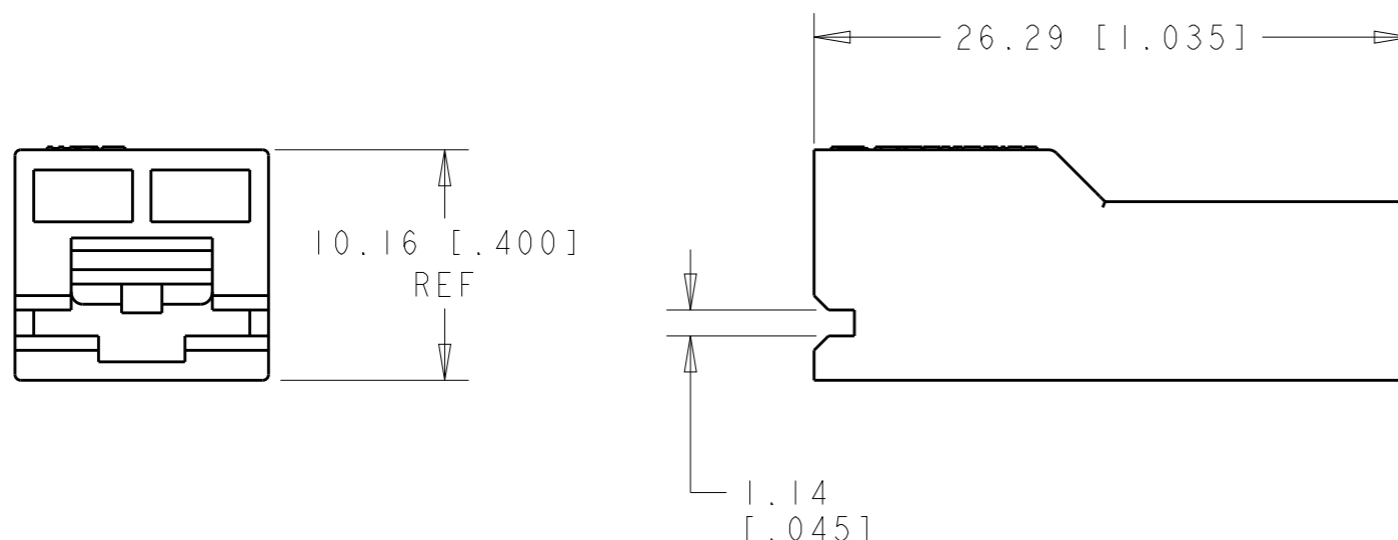
ALL RIGHTS RESERVED.

REVISIONS

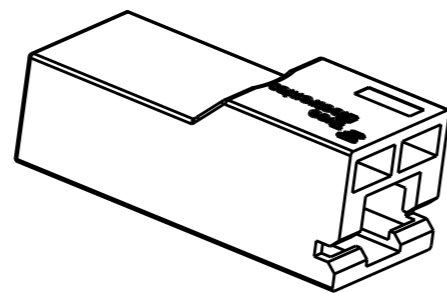
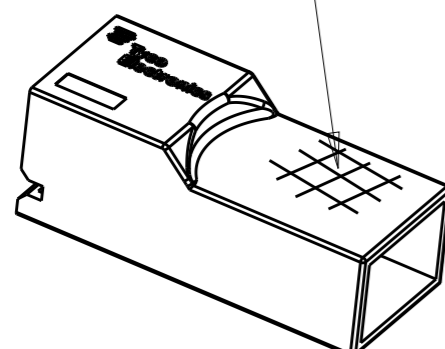
P	LTR	DESCRIPTION	DATE	DWN	APVD
	B5	REVISED PER ECR-18-006870	14SEP2018	BDA	DS



- ① 66 NYLON, V0, NO DRIP
- ② 6/6 NYLON, V2
- ③ PARTS MAY APPEAR MEDIUM COLORED TO LIGHT COLORED AND EXHIBIT A MARBLING EFFECT.



FROSTED SURFACE



SCALE 2:1

SCALE 2:1

SUPERSEDED BY 1-1969186-1

③	BLACK	66 Nylon V0 Natural	1-1969186-1
	NATURAL	②	1969186-2
	BLACK	①	<del>1969186-1</del>
	COLOR	MATERIAL	PART NO.

THIS DRAWING IS A CONTROLLED DOCUMENT.		DWN JR RUTH 23JAN2008	TE Connectivity	
DIMENSIONS: mm [INCHES]		CHK PETE DESANTIS 23JAN2008		
TOLERANCES UNLESS OTHERWISE SPECIFIED:		APVD PETE DESANTIS 23JAN2008	NAME HOUSING, RECEPTACLE, FASTON, 7.92 [.312] SERIES	
0 PLC ±- 1 PLC ±- 2 PLC ±0.25 [.010] 3 PLC ±- 4 PLC ±- ANGLES ±-		PRODUCT SPEC -	RESTRICTED TO	
MATERIAL SEE TABLE material_2		APPLICATION SPEC -	SIZE A3	CAGE CODE 00779
FINISH SEE TABLE finish_spec_2		WEIGHT -	DRAWING NO C-1969186	REV B5
CUSTOMER DRAWING			SCALE 3:1	SHEET 1 OF 1