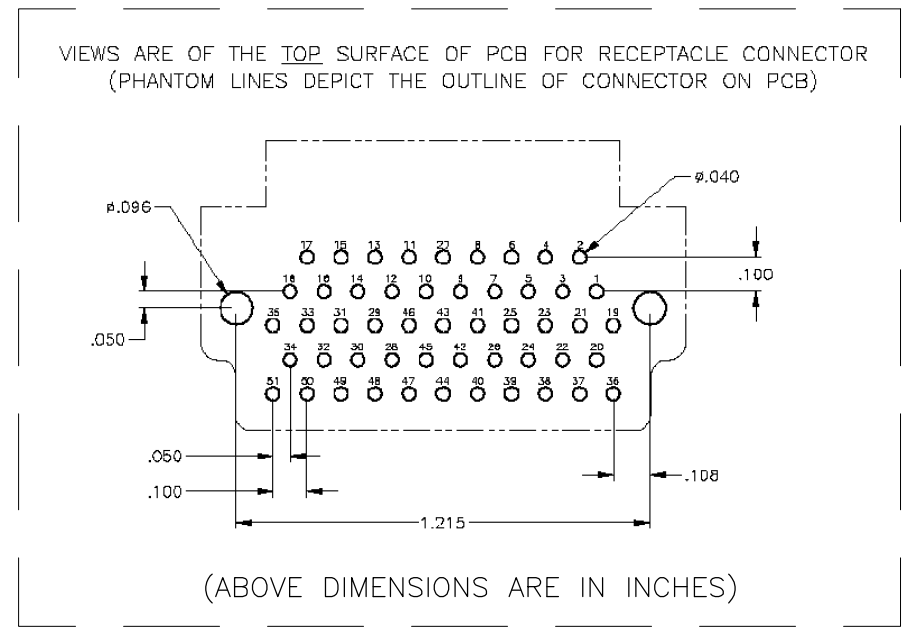
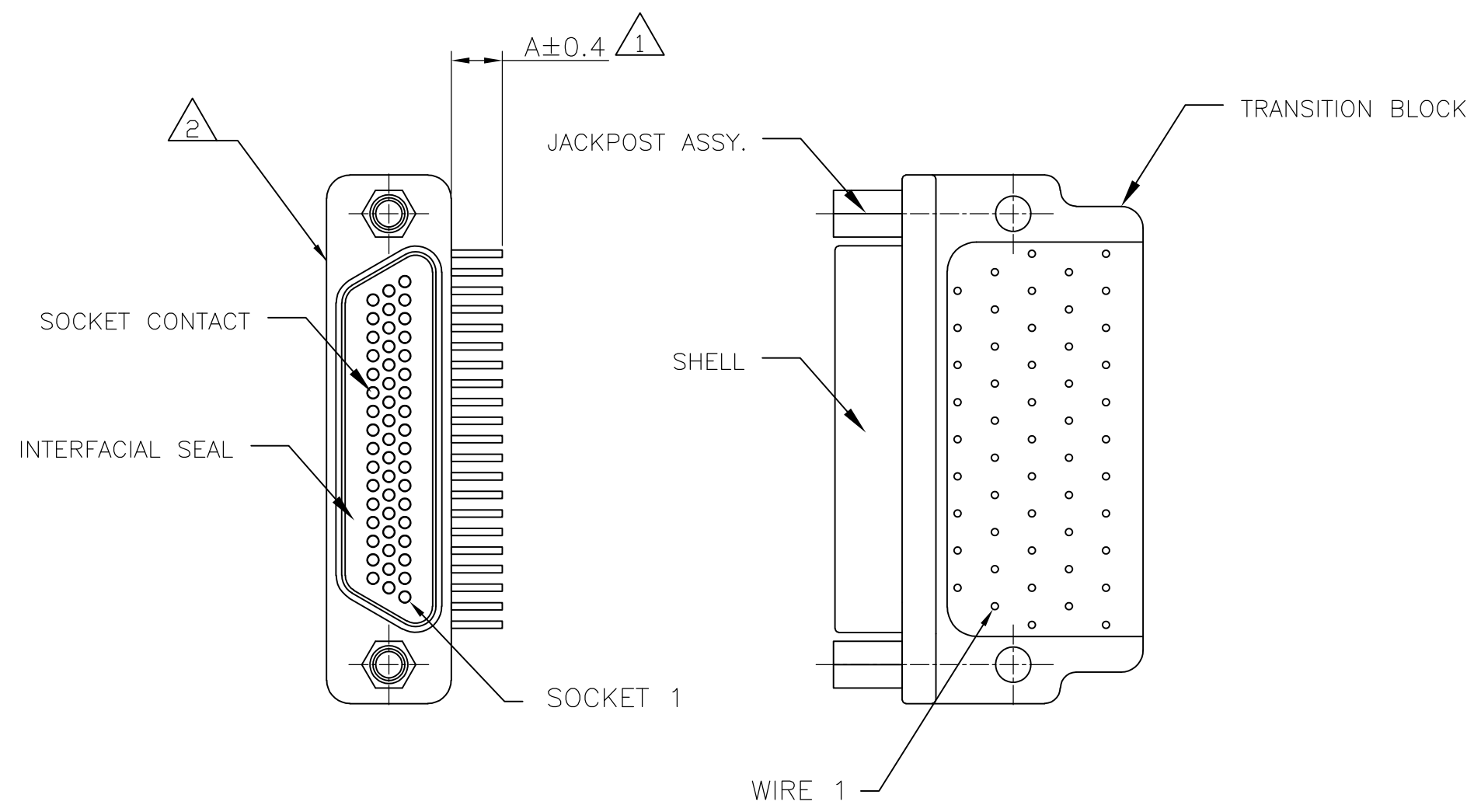
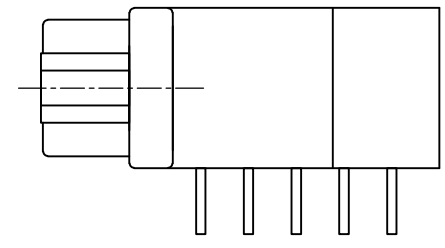


THIS DRAWING IS UNPUBLISHED. RELEASED FOR PUBLICATION
 © COPYRIGHT - By - ALL RIGHTS RESERVED.

LOC	DIST	REVISIONS					
		P	LTR	DESCRIPTION	DATE	DWN	APVD
		B1	ECR-11-008821		28/4/11	NH	KR
		B2	ECR-11-014114		07/07/11	SS	KR



- ① WIRES CROPPED TO LENGTH AS SHOWN
- ② INKMARK IN POSITION SHOWN WITH TE PARTNUMBER

A	TE PN	DESCRIPTION	SL NO
4.37	1959174-3	MCK-N1-P-51SRT1B	3
2.77	1959174-2	MCK-N1-P-51SRT1	2
3.55	1959174-1	MCK-N1-P-51SRT1A	1

THIS DRAWING IS A CONTROLLED DOCUMENT.		DWN 5FEB2008 NIRANJAN HEGDE	TE Connectivity METAL SHELL - 51 SOCKET 90 DEGREE PCB MOUNT			
DIMENSIONS: mm [INCHES]		CHK 5FEB2008 SHIVAPRAKASH K R			NAME	
		APVD 5FEB2008 KARTHIK S			PRODUCT SPEC	
TOLERANCES UNLESS OTHERWISE SPECIFIED:		APPLICATION SPEC				
MATERIAL		WEIGHT	SIZE	CAGE CODE	DRAWING NO	RESTRICTED TO
-		-	A3	00779	C-1959174	-
CUSTOMER DRAWING			SCALE	SHEET	REV	
			NTS	1 OF 1	B2	