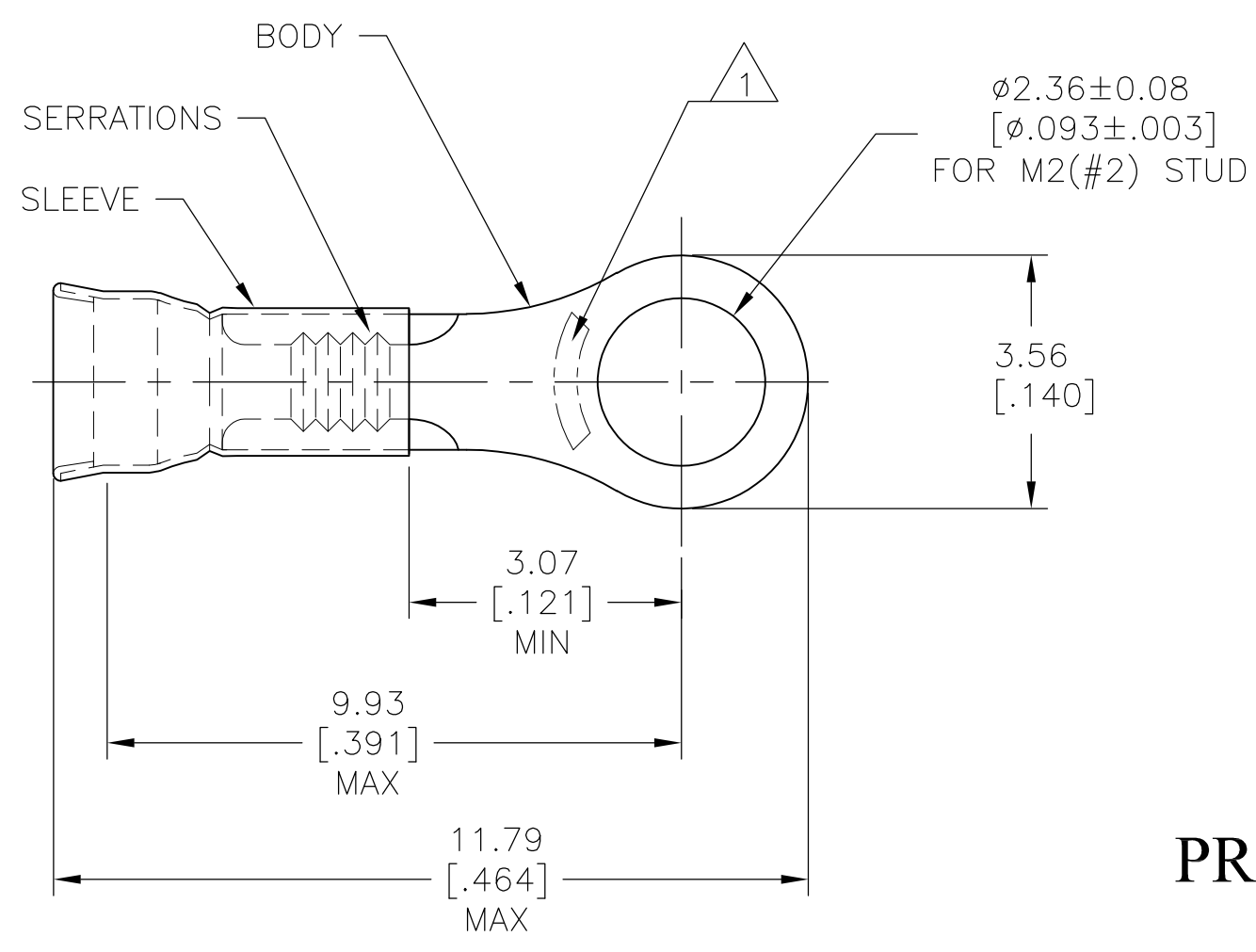


THIS DRAWING IS UNPUBLISHED. RELEASED FOR PUBLICATION
 © COPYRIGHT - By - ALL RIGHTS RESERVED.

LOC	DIST	REVISIONS					
		P	LTR	DESCRIPTION	DATE	DWN	APVD
G	14		1	NEW DRAWING PER ECO-13-001411	29JAN13	KH	DR

- △ 1 STAMP AMP LOCATE APPROX AS SHOWN
- 2 WIRE INSUL DIA, 1.27-2.08 [.050-.082]
- 3 TONGUE MATL THK, 0.46±0.05 [.018±.002]
- △ 4 CLEANED-UNPLATED



PRELIMINARY - NOT RELEASED FOR PRODUCTION

1000	LOOSE PIECE	1958446-1
QTY	PACKAGE TYPE	PART NUMBER

AMP INCORPORATED CUSTOMER SERVICE SYSTEMS		MAX RECOMMENDED OPERATING TEMPERATURE: -	THIS DRAWING IS A CONTROLLED DOCUMENT.		DWN KIRAN HOLAL 29JAN13 CHK ROHDE DANIEL 29JAN13 APVD ROHDE DANIEL 29JAN13	TE Connectivity				
FOR ADDITIONAL PRODUCT INFORMATION OR COPIES OF DRAWINGS AND TECHNICAL DOCUMENTS PRODUCT INFORMATION CENTER 1-800-522-6752	FOR APPLICATION TOOLING ASSISTANCE CENTER TOOLING INFORMATION 1-800-722-1111	VOLTAGE RATING: -	DIMENSIONS: mm [INCHES]	TOLERANCES UNLESS OTHERWISE SPECIFIED: 0 PLC ± - 1 PLC ± - 2 PLC ± 0.20 [.008] 3 PLC ± - 4 PLC ± - ANGLES ± -	NAME TERMINAL, RING, DIAMOND GRIP, WIRE SIZE 26-22 AWG	SIZE A3	CAGE CODE 00779	DRAWING NO C-1958446	RESTRICTED TO -	
FOR ORDER ENTRY 1-800-526-5142	THIS DRAWING IS A CONTROLLED DOCUMENT FOR AMP INCORPORATED. IT IS SUBJECT TO CHANGE AND THE CONTROLLING ENGINEERING ORGANIZATION SHOULD BE CONTACTED FOR THE LATEST REVISION.		MATERIAL BODY, CU, SLV, CU PER ASTM B152	FINISH 	WEIGHT -	CUSTOMER DRAWING		SCALE 10:1	SHEET 1 OF 1	REV 1