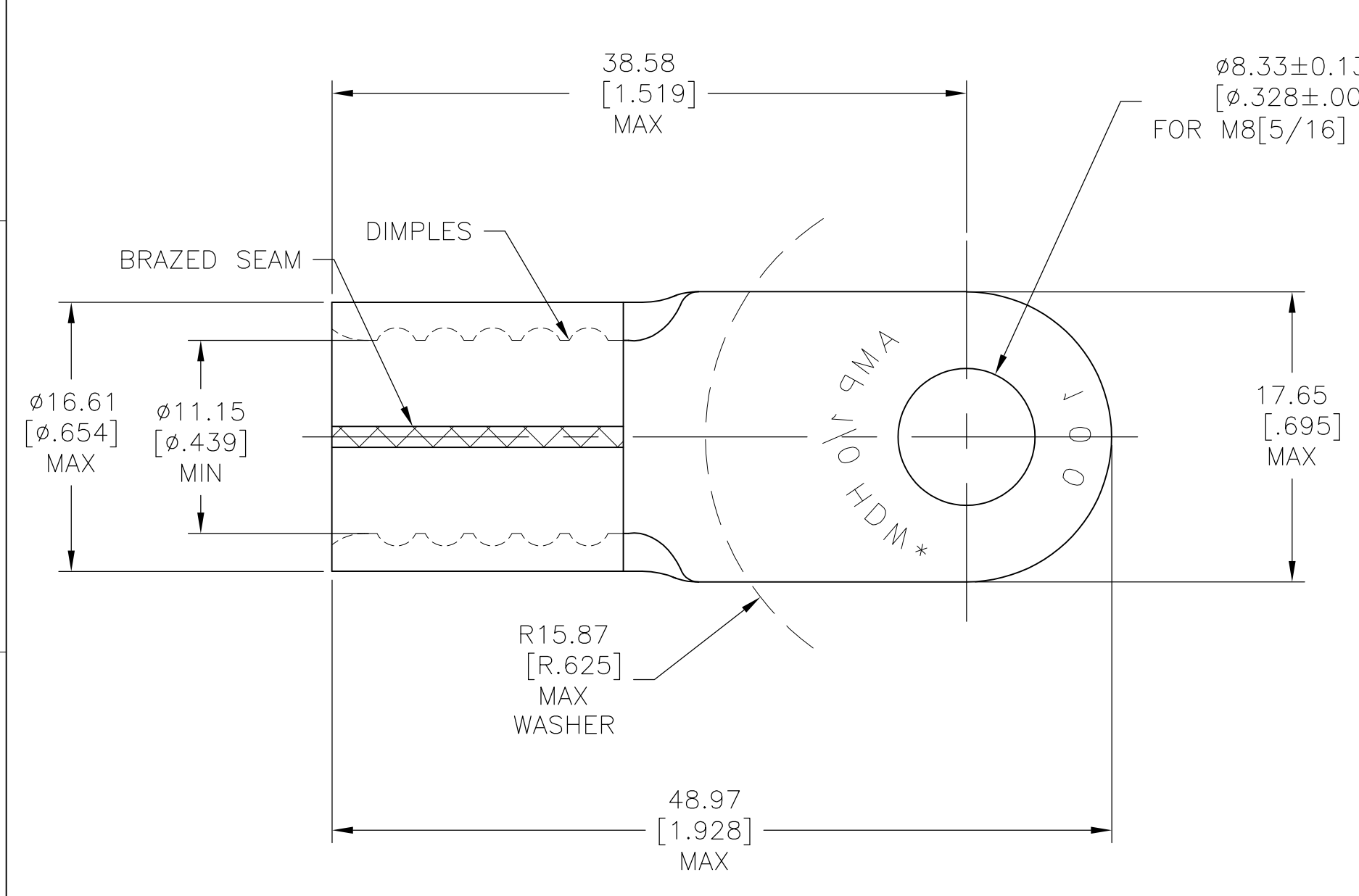


THIS DRAWING IS UNPUBLISHED. RELEASED FOR PUBLICATION
 © COPYRIGHT - By - ALL RIGHTS RESERVED.

LOC	DIST	REVISIONS					
G	14	P	LTR	DESCRIPTION	DATE	DWN	APVD
			A1	REVISED PER ECO-13-015443	01OCT2013	KH	DR



- 1 COPPER PER ASTM B-152, 2.31±0.10 [.091±.004] THK, ANNEALED
- 2 NICKEL PLATE PER SAE AMS QQ-N-290

1958430-1
 PART NUMBER

AMP INCORPORATED
CUSTOMER SERVICE SYSTEMS

FOR ADDITIONAL PRODUCT INFORMATION OR COPIES OF DRAWINGS AND TECHNICAL DOCUMENTS
 PRODUCT INFORMATION CENTER
 1-800-522-6752

FOR APPLICATION TOOLING INFORMATION
 TOOLING ASSISTANCE CENTER
 1-800-722-1111

FOR ORDER ENTRY
 1-800-526-5142

MAX RECOMMENDED OPERATING TEMPERATURE:
 343°C [649°F]

VOLTAGE RATING:
 N/A

WIRE:
 42.4-60.6mm²[83,700-119500]
 SOLID OR STRANDED

THIS DRAWING IS A CONTROLLED DOCUMENT.

DIMENSIONS: mm [INCHES]

TOLERANCES UNLESS OTHERWISE SPECIFIED:

0 PLC	± -
1 PLC	± -
2 PLC	± -
3 PLC	± 0.20 [.008]
4 PLC	± -
ANGLES	± 5°

MATERIAL 1 FINISH 2

DWN	KIRAN HOLAL	17OCT12
CHK	ROHDE DANIEL	17OCT12
APVD	ROHDE DANIEL	17OCT12
PRODUCT SPEC	-	
APPLICATION SPEC	-	
WEIGHT	-	

STE TE Connectivity

NAME: WIRE TERMINAL
 STRATO-THERM, HEAT RESISTANT, RING TONGUE,
 WIRE SIZE : 1/0 HD

SIZE: A3 CAGE CODE: 00779 DRAWING NO: C-1958430 RESTRICTED TO: -

CUSTOMER DRAWING SCALE: 3:1 SHEET: 1 OF 1 REV: A1