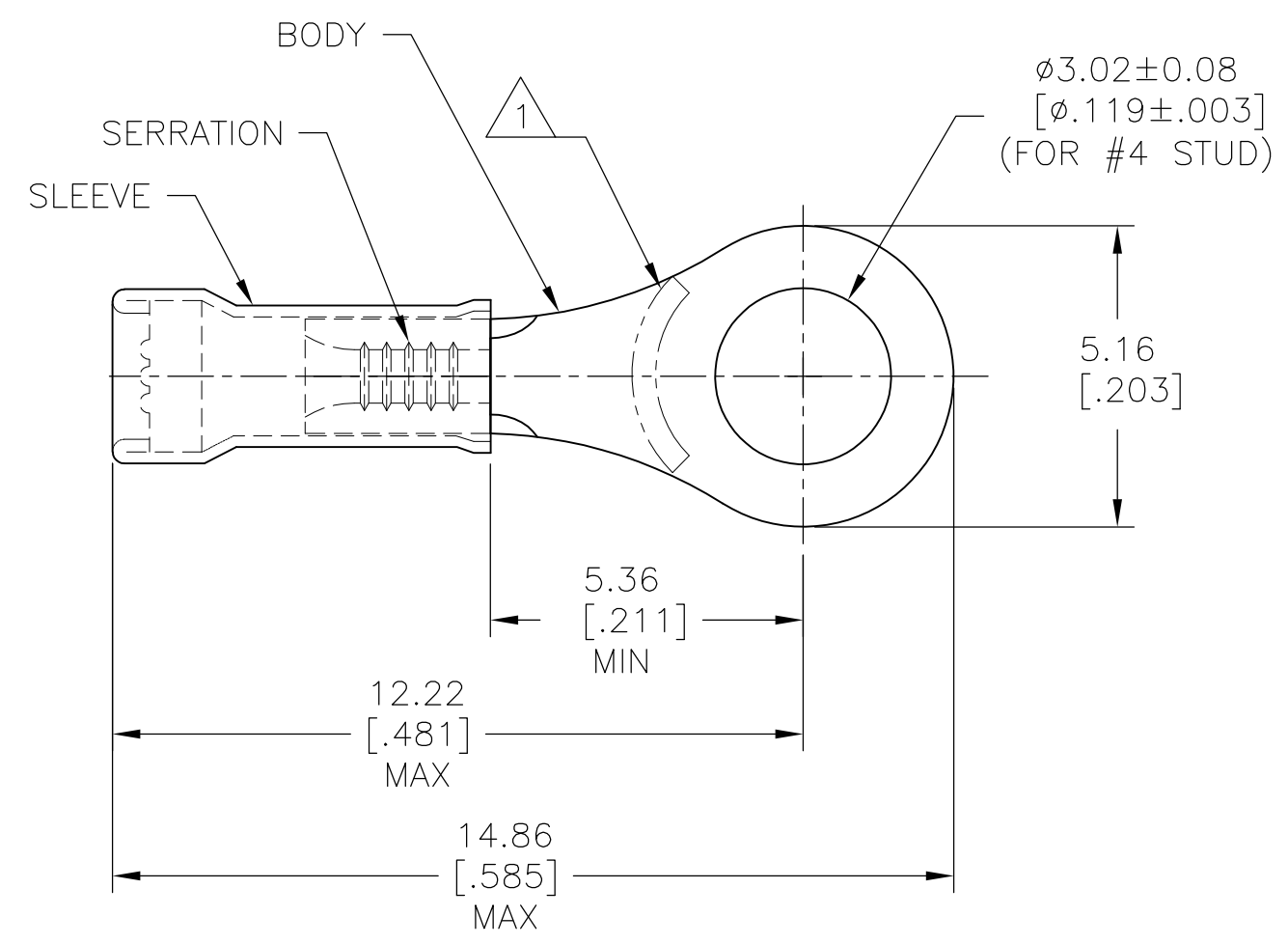


THIS DRAWING IS UNPUBLISHED. RELEASED FOR PUBLICATION  
 © COPYRIGHT - By - ALL RIGHTS RESERVED.

LOC	DIST	REVISIONS			
P	LTR	DESCRIPTION	DATE	DWN	APVD
G	14	A	REVISED PER ECO-13-018036	16NOV2013	KH DR



- 1 STAMP AMP LOCATE APPROX AS SHOWN
- 2 WIRE INSUL DIA, 1.27-2.08 [.050-.082]
- 3 TONGUE MATL THK, 0.46±0.05[.018±.002]

1000	LOOSE PIECE	1958414-1
QTY	PACKAGE TYPE	PART NO

AMP INCORPORATED CUSTOMER SERVICE SYSTEM		MAX RECOMMENDED OPERATING TEMPERATURE: -	THIS DRAWING IS A CONTROLLED DOCUMENT.		DWN KIRAN HOLAL 25APR2012	TE Connectivity				
FOR ADDITIONAL PRODUCT INFORMATION OR COPIES OF DRAWINGS AND TECHNICAL DOCUMENTS	PRODUCT INFORMATION CENTER 1-800-522-6752	VOLTAGE RATING: -	DIMENSIONS: mm [INCHES]	TOLERANCES UNLESS OTHERWISE SPECIFIED:	CHK ROHDE DANIEL 25APR2012					NAME
FOR APPLICATION TOOLING INFORMATION	TOOLING ASSISTANCE CENTER 1-800-722-1111	CIRCULAR MIL AREA: 0.10mm <sup>2</sup> -0.41mm <sup>2</sup> [202-810] STRANDED WIRE			APVD ROHDE DANIEL 25APR2012	STRATO-THERM, DG, HR, 26-22 AWG,4				
FOR ORDER ENTRY	1-800-526-5142	MATERIAL BODY, CU, SLV, CU PER ASTM B152	FINISH NICKEL PLATE PER SAE AMS QQ-N-290		PRODUCT SPEC -	SIZE A3	CAGE CODE 00779	DRAWING NO C-1958414	RESTRICTED TO -	
					WEIGHT -	CUSTOMER DRAWING		SCALE 8:1	SHEET 1 OF 1	REV A