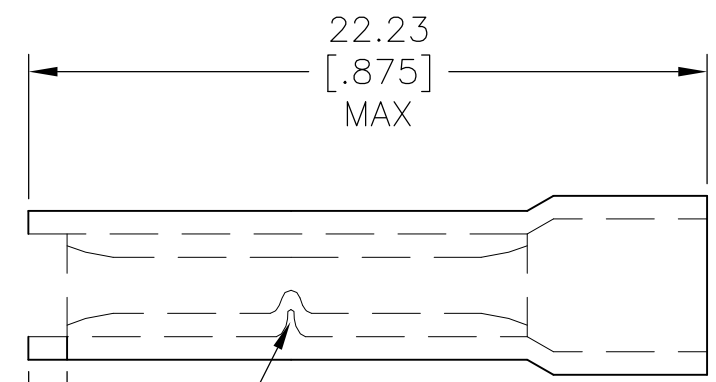
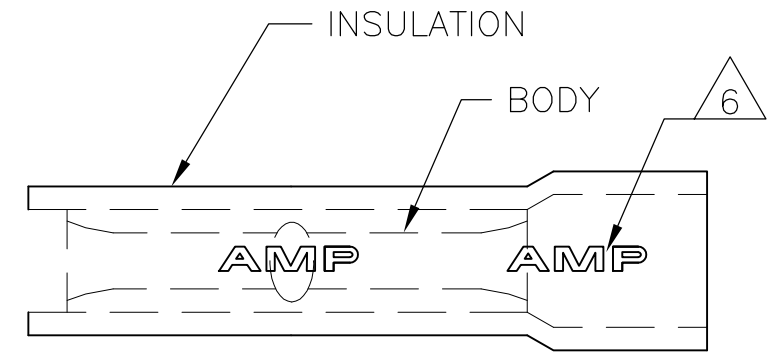


THIS DRAWING IS UNPUBLISHED. RELEASED FOR PUBLICATION
 © COPYRIGHT - By - ALL RIGHTS RESERVED.

LOC	DIST	REVISIONS			
P	LTR	DESCRIPTION	DATE	DWN	APVD
G	86	A2	REVISED PER ECO-13-014758	18SEP2013	KH DR

AMP
 WIRE RANGE
 22-16 AWG
 SOLID OR STRANDED



- 1 WIRE INSULATION DIA 4.38[.170]MAX
- 2 BODY: TIN PLATE 0.0025[.000100] MIN EXT THK PER ASTM B545.
- 3 BODY: COPPER PER ASTM B-152, ANNEALED
- 4 INSULATION: PVC, COLOR:RED.
- 5 INSULATION: PVC, COLOR:CLEAR/NATURAL W/RED STRIPES
- 6 -1 HAS "AMP" STAMP(AS SHOWN)
-2 HAS RED STRIPE

100	LOOSE PIECE	5	1958392-2
100	LOOSE PIECE	4	1958392-1
QTY	PACKAGING TYPE	PART NO	

AMP INCORPORATED
CUSTOMER SERVICE SYSTEMS

FOR ADDITIONAL PRODUCT INFORMATION OR COPIES OF DRAWINGS AND TECHNICAL DOCUMENTS
 PRODUCT INFORMATION CENTER
 1-800-522-6752

FOR APPLICATION TOOLING INFORMATION
 TOOLING ASSISTANCE CENTER
 1-800-722-1111

FOR ORDER ENTRY
 1-800-526-5142

MAX RECOMMENDED OPERATING TEMPERATURE:
 105°C[222°F]

VOLTAGE RATING:
 NOT APPLICABLE

WIRE CROSS SECTIONAL AREA RANGE:
 0.26-1.65mm²[509-3260] CMA
 SOLID OR STRANDED

THIS DRAWING IS A CONTROLLED DOCUMENT FOR AMP INCORPORATED. IT IS SUBJECT TO CHANGE AND THE CONTROLLING ENGINEERING ORGANIZATION SHOULD BE CONTACTED FOR THE LATEST REVISION.

THIS DRAWING IS A CONTROLLED DOCUMENT.

DIMENSIONS:	TOLERANCES UNLESS OTHERWISE SPECIFIED:
mm [INCHES]	
	0 PLC ± -
	1 PLC ± -
	2 PLC ± -
	3 PLC ± -
	4 PLC ± -
	ANGLES ± 1°
MATERIAL	FINISH
5 4 3	2

DWN	JR RUTH	01MAR10	STE TE Connectivity							
CHK	TOM MICHIELUTTI	01MAR10								
APVD	TOM MICHIELUTTI	01MAR10								
PRODUCT SPEC	NAME									
APPLICATION SPEC	NAME		SPLICE, BUTT, PLASTI-GRIP, INSULATION SUPPORT 1 END							
WEIGHT	-	-	SIZE	A3	CAGE CODE	00779	DRAWING NO	C-1958392	RESTRICTED TO	-
CUSTOMER DRAWING			SCALE	4:1	SHEET	1 OF 1	REV	A2		