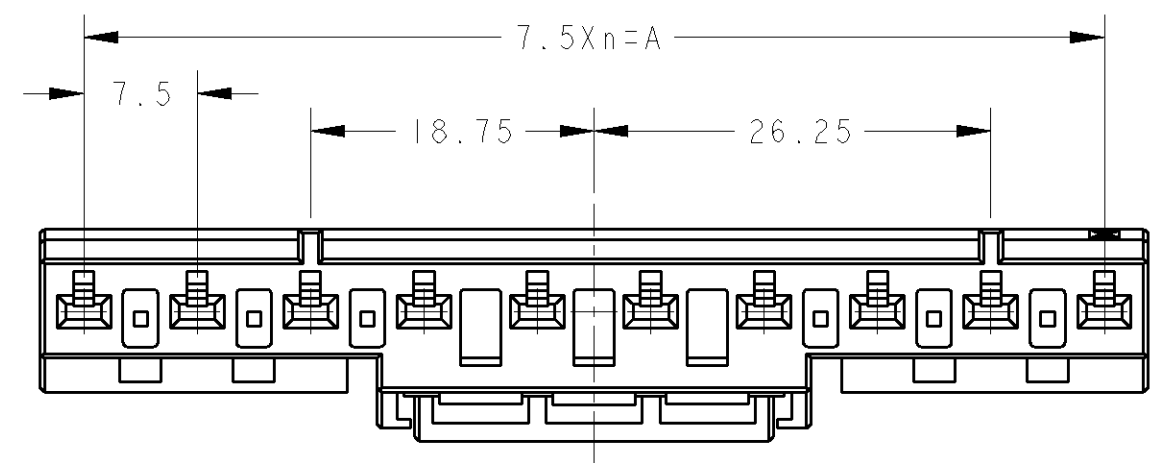
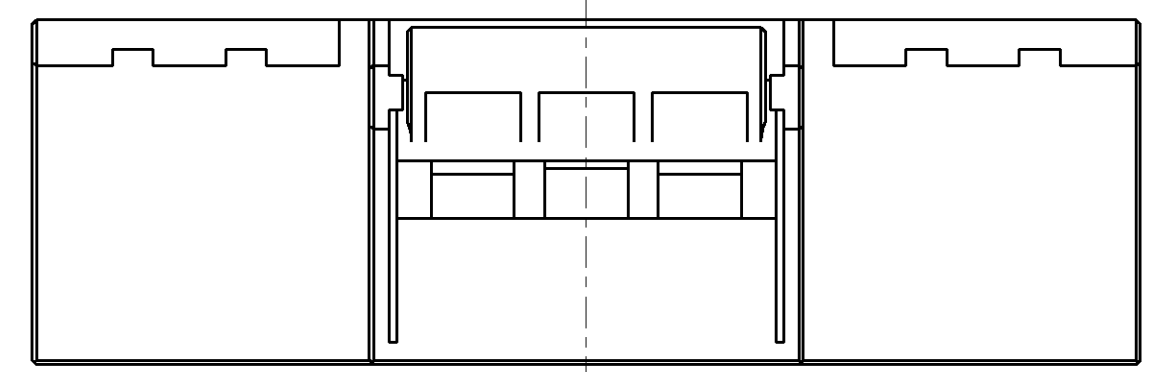
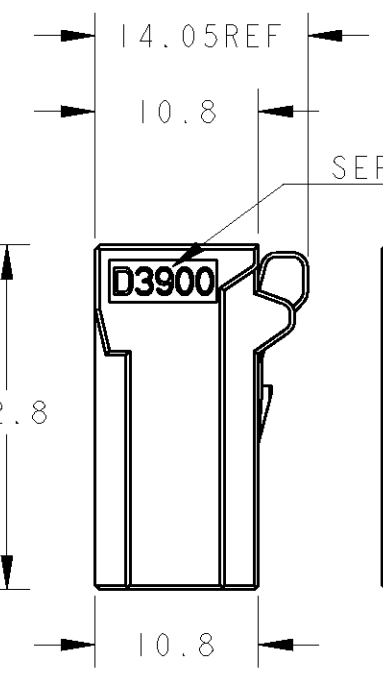
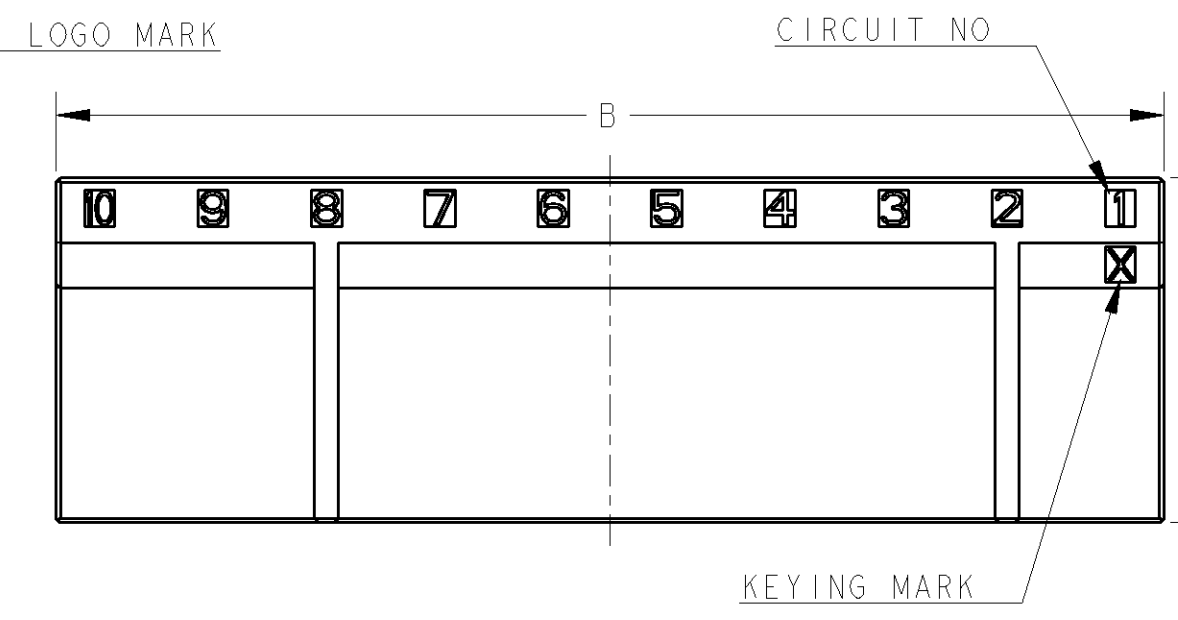
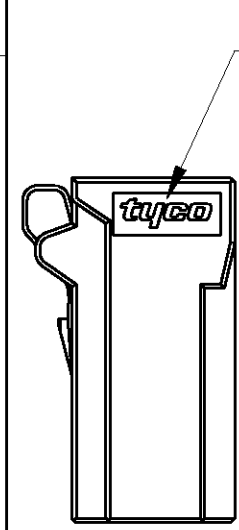
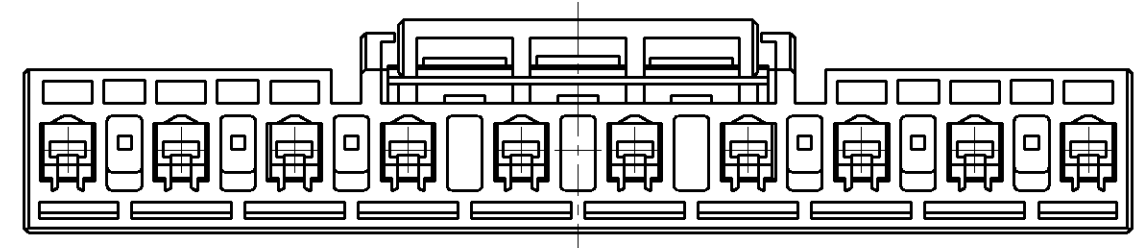


THIS DRAWING IS UNPUBLISHED. RELEASED FOR PUBLICATION 20
 © COPYRIGHT 20 BY TYCO ELECTRONICS CORPORATION. ALL RIGHTS RESERVED.

LOC	DIST	REVISIONS						
		P	LTR	DESCRIPTION	ECN	DATE	DWN	APVD
J	-		A	RELEASED		21APR2008	T.K	S.M



I. 材料：ハウジング：熱可塑性ポリエステル樹脂
 I. MATERIAL HOUSING: THERMO PLASTIC POLYESTER

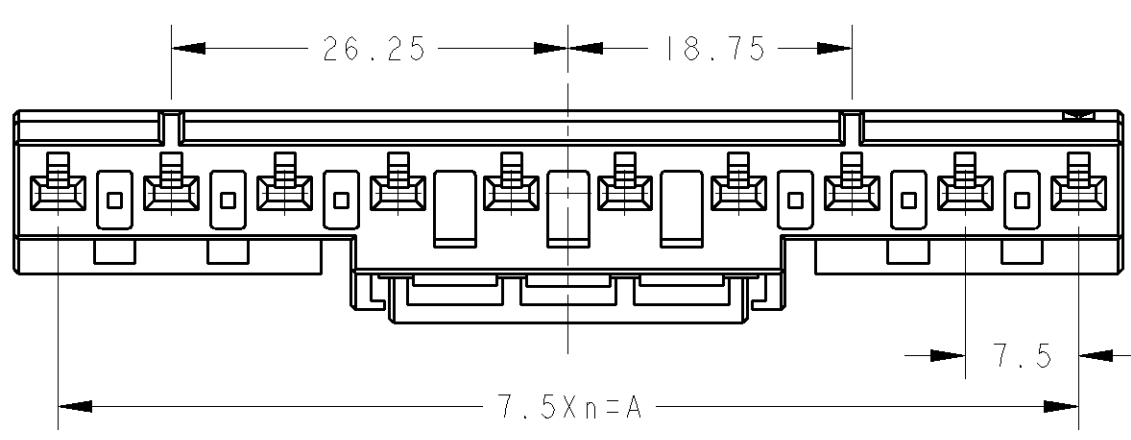
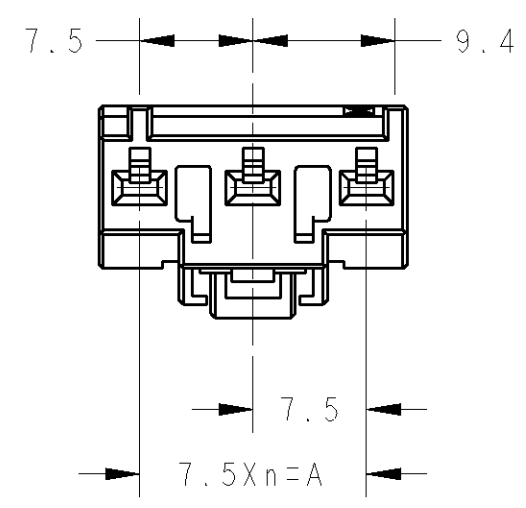
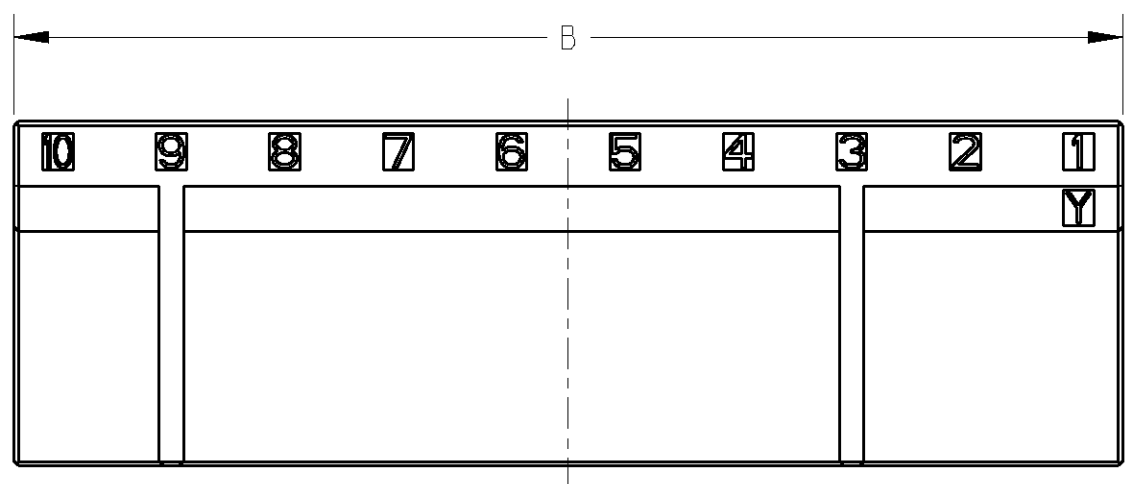
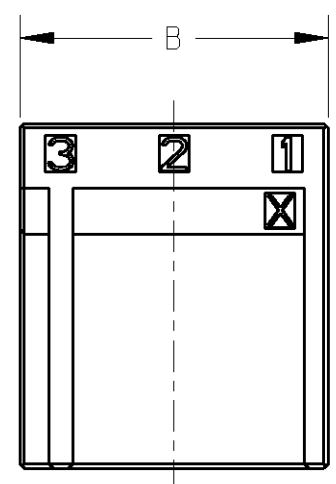
10POS(X-KEY) : 1-1939950-0

10	Y	9	97.5	73.3	2-1939950-0
10	X	9	67.5	73.3	1-1939950-0
3	X	2	15.0	20.4	1-1939950-3
POS	KEY	n	A	B	PART NO

<small>THIS DRAWING IS A CONTROLLED DOCUMENT FOR TYCO ELECTRONICS CORPORATION IT IS SUBJECT TO CHANGE AND THE CONTROLLING ENGINEERING ORGANIZATION SHOULD BE CONTACTED FOR THE LATEST REVISION.</small>		DWN T.KUDO 21APR2008 CHK S.MANABE 21APR2008 APVD S.MANABE 21APR2008	Tyco Electronics AMP K.K. Kawasaki, Japan
DIMENSIONS: 単位: 概 mm	TOLERANCES UNLESS OTHERWISE SPECIFIED: 一般公差 ±0.3, ±5° 0-PLC ± 1-PLC ±0.5 2-PLC ±0.13 3-PLC ±0.013 4-PLC ±0.0001 ANGLES ±	PRODUCT SPEC 108-5349 APPLICATION SPEC 114-5148 WEIGHT -	NAME 名称 DYNAMIC D3900S 7.5mmPITCH REC HSG 3-10POS
MATERIAL 材料 -	FINISH 仕上 -	SIZE A3 CAGE CODE 00779 DRAWING NO 1939950	RESTRICTED TO -
CUSTOMER DRAWING		SCALE 2:1 SHEET 1 OF 2	REV A

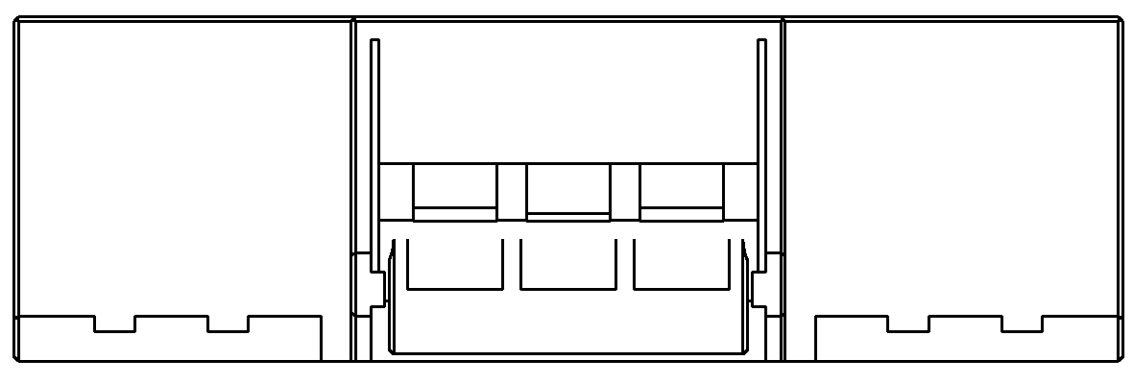
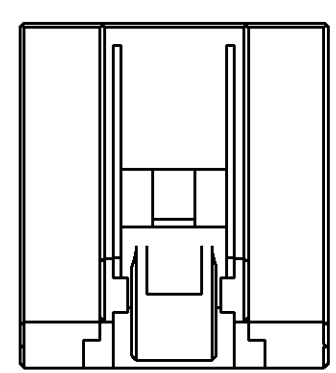
THIS DRAWING IS UNPUBLISHED. RELEASED FOR PUBLICATION 20
 © COPYRIGHT 20 BY TYCO ELECTRONICS CORPORATION. ALL RIGHTS RESERVED.

LOC	DIST	REVISIONS					
J	-	P	LTR	DESCRIPTION	DATE	DWN	APVD
				SEE SHEET 1 OF 2			



3POS(X-KEY) : 1-1939950-3

10POS(Y-KEY) : 2-1939950-0



THIS DRAWING IS A CONTROLLED DOCUMENT FOR TYCO ELECTRONICS CORPORATION
 IT IS SUBJECT TO CHANGE AND THE CONTROLLING ENGINEERING ORGANIZATION
 SHOULD BE CONTACTED FOR THE LATEST REVISION.

DIMENSIONS:		TOLERANCES UNLESS OTHERWISE SPECIFIED:	
mm			
	0 PLC	±	-
	1 PLC	±	
	2 PLC	±	
	3 PLC	±	
	4 PLC	±	
	ANGLES	±	-
MATERIAL		FINISH	

DWN	T. KUDO	21APR2008
CHK	S. MANABE	21APR2008
APVD	S. MANABE	21APR2008
PRODUCT SPEC	108-5349	
APPLICATION SPEC	114-5148	
WEIGHT	-	
CUSTOMER DRAWING		

Tyco Electronics AMP K.K. Kawasaki, Japan			
NAME		DYNAMIC D3900S 7.5mmPITCH	
		REC HSG	
		3-10POS	
SIZE	CAGE CODE	DRAWING NO	RESTRICTED TO
A3	00779	C-1939950	-
SCALE		2:1	SHEET 2 OF 2
			REV A

SEE SHEET 1 OF 2