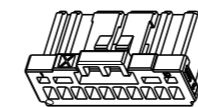
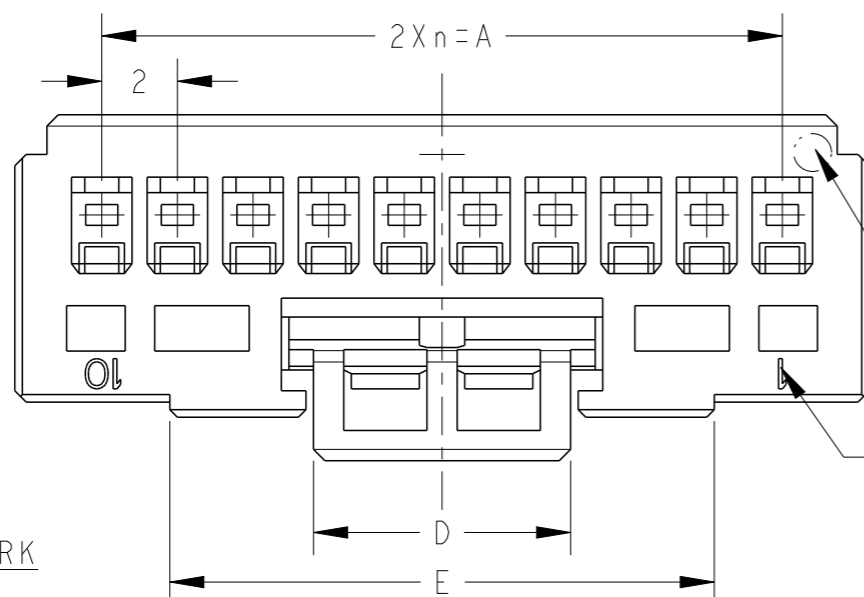


P	LTR	DESCRIPTION	DATE	DWN	APVD
E	I	REVISED PER ECR-22-162100	23DEC2022	C.C	R.B
F		REVISED PER ECR-23-171985	12APR2023	C.C	R.B
G		Obsolete 2-1939758-1	29APR2024	R.W	R.B

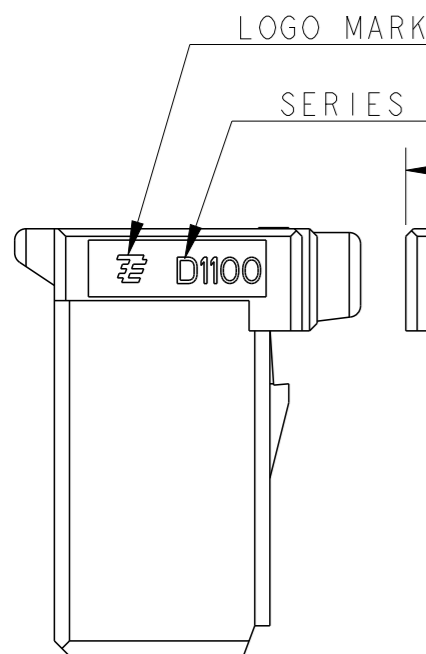


SCALE 1:1



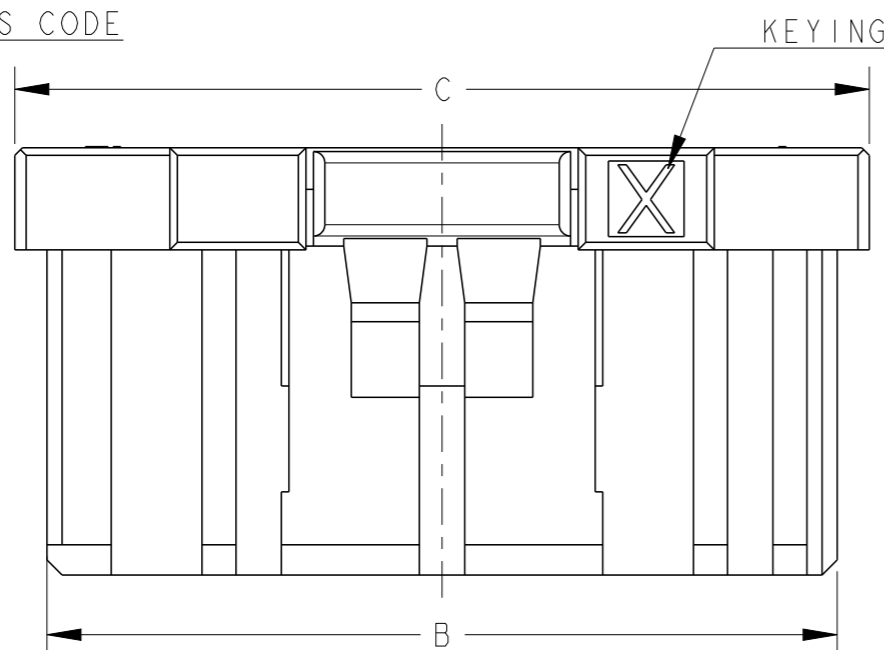
CAVITY MARK  
(ALPHABET: CAPITAL LETTER)

CIRCUIT NO

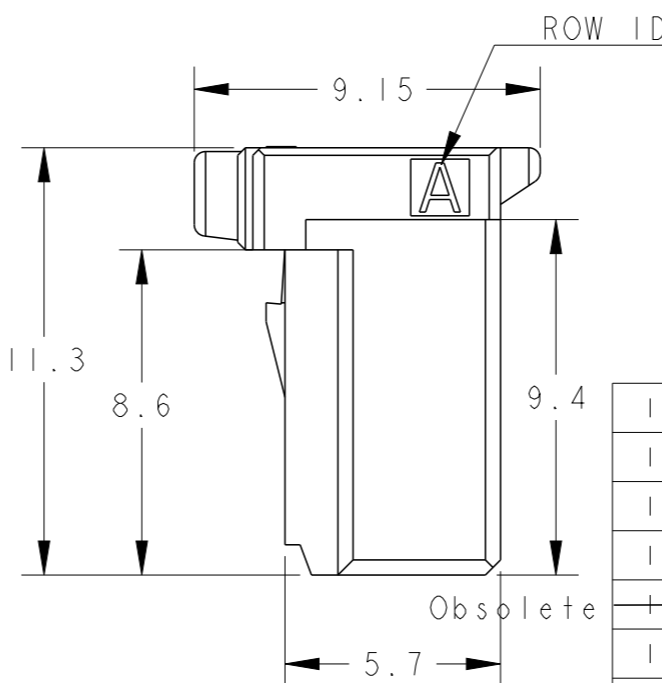


LOGO MARK

SERIES CODE

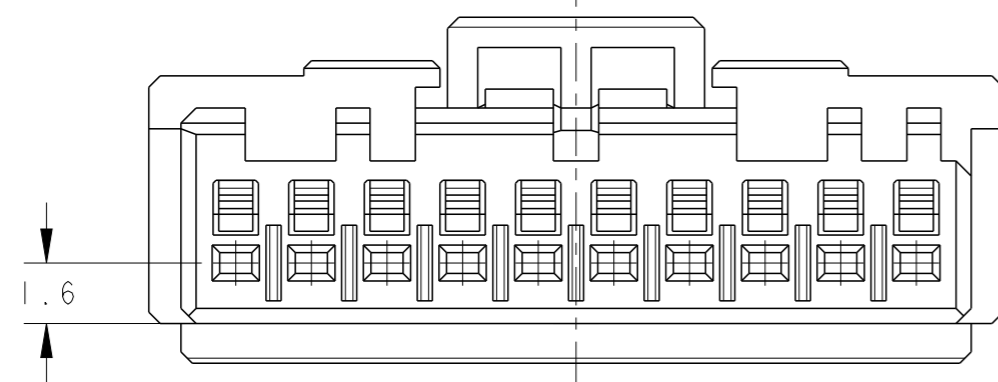


KEYING



- 1. MATERIAL: GLASS FILED THERMO PLASTIC POLYESTER(94V-0), COLOR: BLACK
- 2. THE KEYING ARRANGEMENT OF "Y" IS SYMMETRIC WITH "X".
- 3. THE SHAPE, SIZE AND POSITION OF THE CHARACTER SHOW THE OUTLINE. THEY DON'T SHOW DETAILS.

16	Y	15	30.0	32.9	34.6	12.8	26.4	2-1939758-3
16	X	15	30.0	32.9	34.6	12.8	26.4	1-1939758-3
14	Y	13	26.0	28.9	30.6	12.8	26.4	2-1939758-2
14	X	13	26.0	28.9	30.6	12.8	26.4	1-1939758-2
12	Y	11	22.0	24.9	26.6	6.8	14.4	2-1939758-1
12	X	11	22.0	24.9	26.6	6.8	14.4	1-1939758-1
10	Y	9	18.0	20.9	22.6	6.8	14.4	2-1939758-0
10	X	9	18.0	20.9	22.6	6.8	14.4	1-1939758-0
8	Y	7	14.0	16.9	18.6	6.8	14.4	2-1939758-8
8	X	7	14.0	16.9	18.6	6.8	14.4	1-1939758-8
4	Y	3	6.0	8.9	10.6	3.6	-	2-1939758-4
4	X	3	6.0	8.9	10.6	3.6	-	1-1939758-4
POS	KEY	n	A	B	C	D	E	PART NO



10POS(X-KEY) : 1-1939758-0

THIS DRAWING IS A CONTROLLED DOCUMENT.

DIMENSIONS:	TOLERANCES UNLESS OTHERWISE SPECIFIED:
mm	
	0 PLC ±-
	1 PLC ±0.3
	2 PLC ±-
	3 PLC ±-
	4 PLC ±-
	ANGLES ±3°
	FINISH -
	-

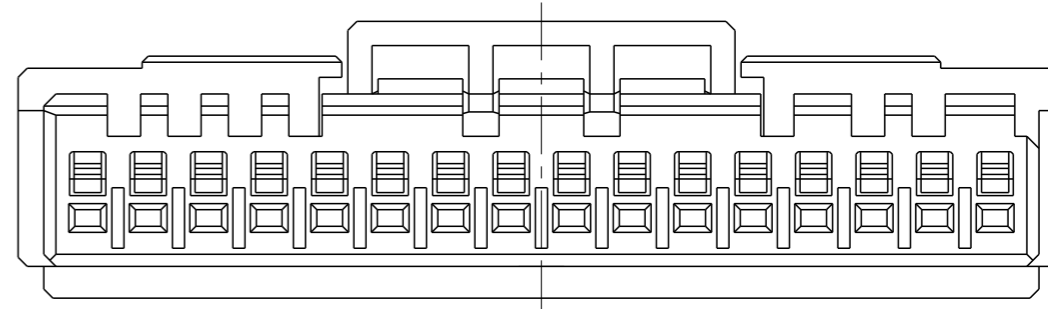
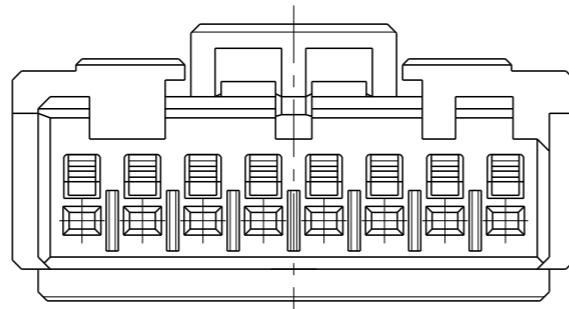
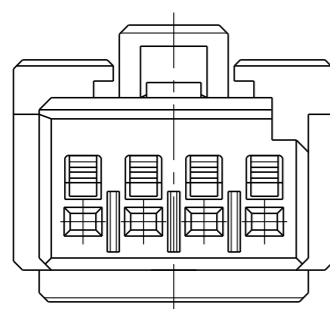
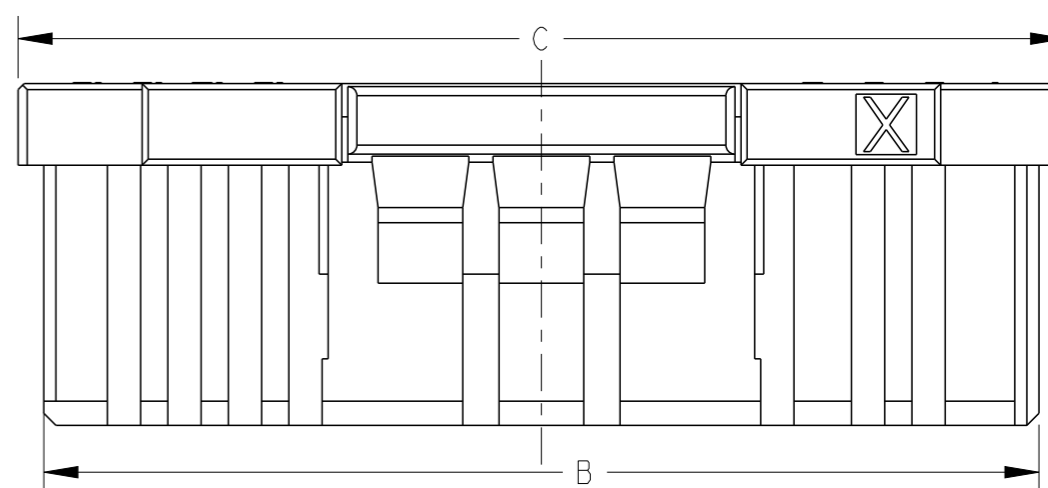
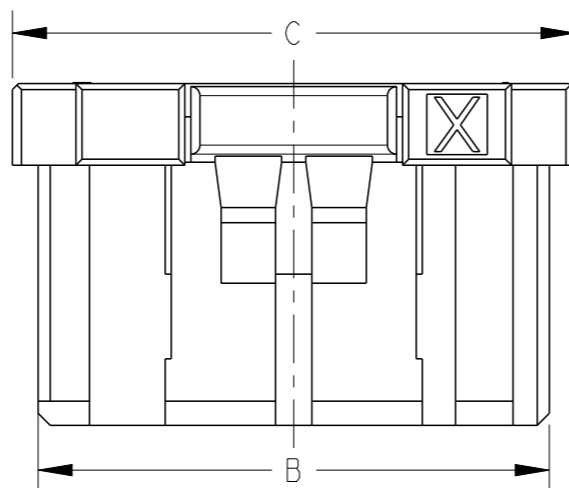
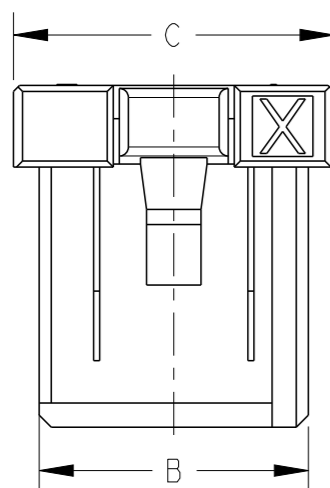
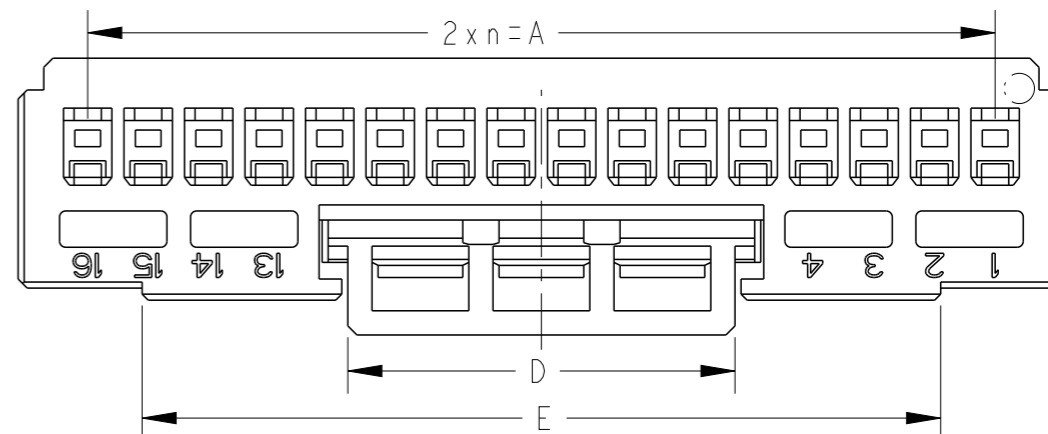
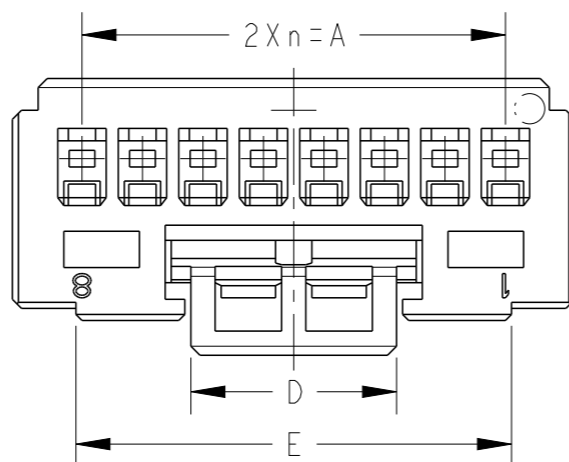
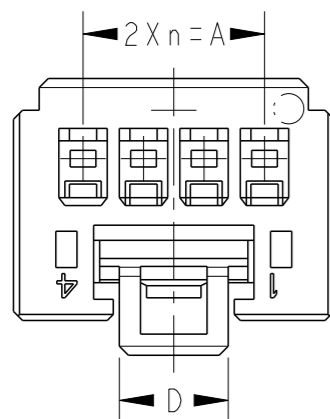
DWN	M. MAEBASHI	30JUL2007
CHK	T. KUDO	30JUL2007
APVD	D. MITSUGI	30JUL2007
PRODUCT SPEC	108-78268, 78298	
APPLICATION SPEC	114-5377	
WEIGHT	-	
CUSTOMER DRAWING		



NAME  
DYNAMIC D1100S 2.0mm PITCH  
REC HSG  
2-16POS

SIZE	CAGE CODE	DRAWING NO	RESTRICTED TO
A3	-	C-1939758	-
SCALE 5:1		SHEET 1 OF 3	REV G


P	LTR	DESCRIPTION	DATE	DWN	APVD
-	-	SEE SHEET 1	-	-	-



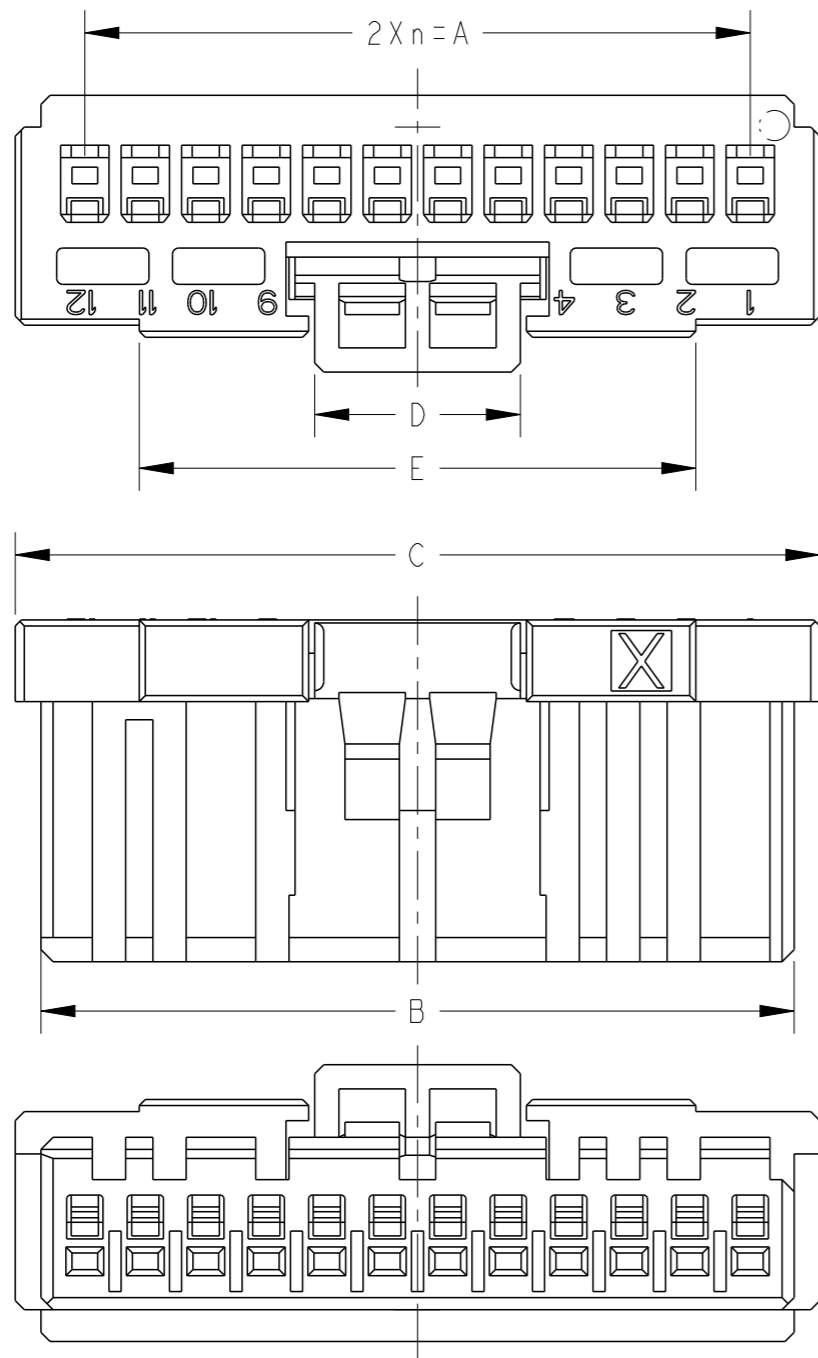
4POS(X-KEY) : 1-1939758-4

8POS(X-KEY) : 1-1939758-8

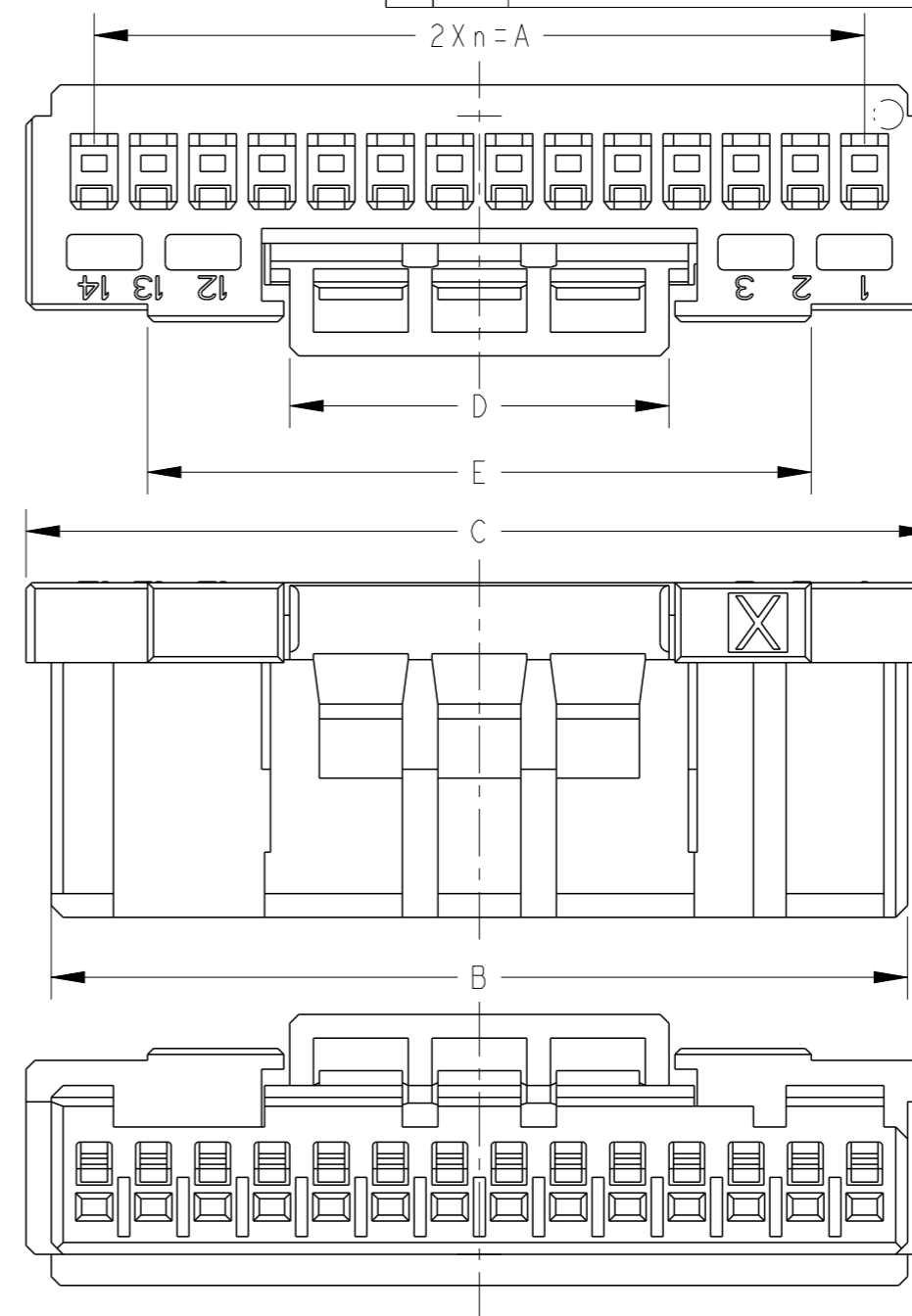
16POS(X-KEY) : 1-1939758-3

THIS DRAWING IS A CONTROLLED DOCUMENT.		DWN M. MAEBASHI 30 JUL 2007	 TE Connectivity NAME DYNAMIC D1100S 2.0mm PITCH REC HSG 2-16POS	RESTRICTED TO
DIMENSIONS: mm		CHK T. KUDO 30 JUL 2007		
TOLERANCES UNLESS OTHERWISE SPECIFIED:		APVD D. MITSUGI 30 JUL 2007		
0 PLC ± 1 PLC ±0.3 2 PLC ± 3 PLC ± 4 PLC ± ANGLES ±3° MATERIAL FINISH		PRODUCT SPEC 108-78268, 78298		
MATERIAL		APPLICATION SPEC 114-5377	SIZE A3	CAGE CODE -
		WEIGHT -	DRAWING NO C-1939758	
		CUSTOMER DRAWING	SCALE 5:1	SHEET 2 OF 3
				REV G

P	LTR	DESCRIPTION	DATE	DWN	APVD
-	-	SEE SHEET 1	-	-	-



12POS(X-KEY) : 1-1939758-1



14POS(X-KEY) : 1-1939758-2

THIS DRAWING IS A CONTROLLED DOCUMENT.		DWN M. MAEBASHI 30 JUL 2007		NAME DYNAMIC D1100S 2.0mm PITCH REC HSG 2-16POS	
DIMENSIONS: mm	TOLERANCES UNLESS OTHERWISE SPECIFIED: 0 PLC ±- 1 PLC ±0.3 2 PLC ±- 3 PLC ±- 4 PLC ±- ANGLES ±3°	CHK T. KUDO 30 JUL 2007			PRODUCT SPEC 108-78268, 78298
		APVD D. MITSUGI 30 JUL 2007			
MATERIAL	FINISH	WEIGHT			SIZE A3 CAGE CODE - DRAWING NO. ©-1939758
-		CUSTOMER DRAWING		SCALE 5:1 SHEET 3 OF 3 REV G	