

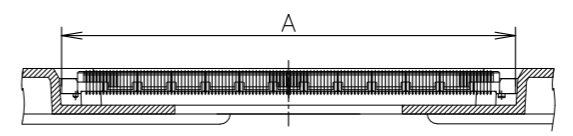
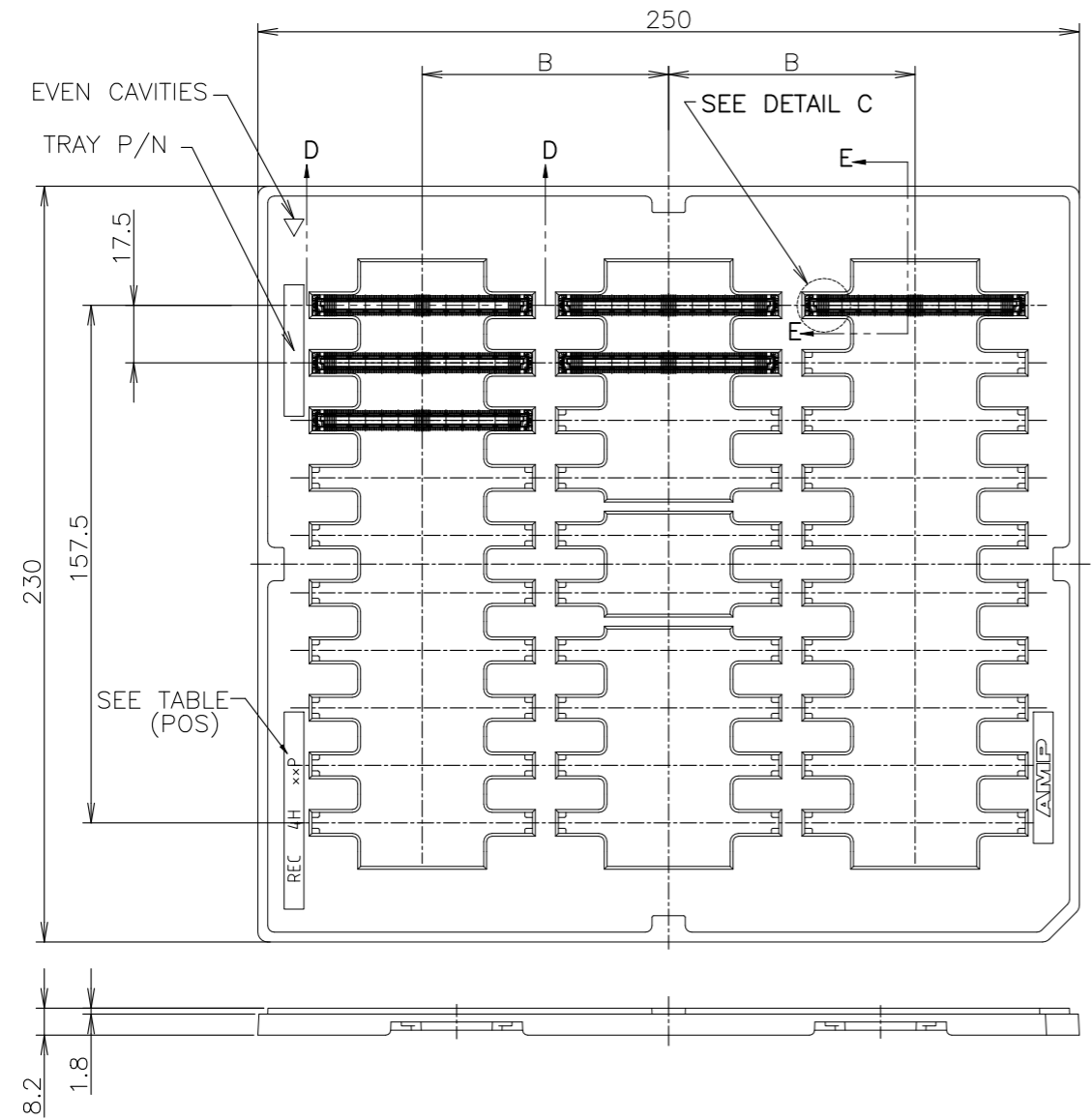
PRELIMINARY

D
C
B
A

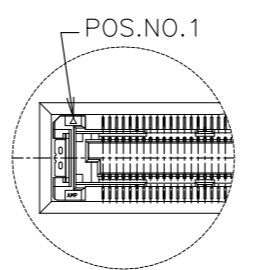
4 3 2 1

© 2006 TE Connectivity. All Rights Reserved.

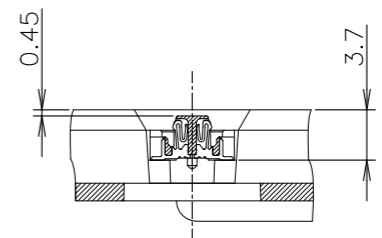
REVISIONS				
P	LTR	DESCRIPTION	DATE	APVD
C1		REMOVE TRAY HOLE PER PCN-22-135638	19JULY2022	M.C H.L



SECT. D-D
(SCALE 2:1)
(CONNECTOR NOT SECTION)



DETAIL C
(SCALE 2:1)



E-E
(SCALE 2:1)

NO	3	30	75	61.8	220	3-1939755-6
SEALANT	ROW	QTY	B	A	POS.	PART NO.

THIS DRAWING IS A CONTROLLED DOCUMENT.		DWN Y.NAKAZAWA 25JUL06												
DIMENSIONS: MM		CHK T.KUSUHARA 25JUL06												
TOLERANCES UNLESS OTHERWISE SPECIFIED:		APVD T.KUSUHARA 25JUL06												
<table border="0" style="width: 100%;"> <tr> <td>0 PLC</td> <td>± 0.3</td> </tr> <tr> <td>1 PLC</td> <td>± 0.3</td> </tr> <tr> <td>2 PLC</td> <td>± 0.3</td> </tr> <tr> <td>3 PLC</td> <td>± 0.3</td> </tr> <tr> <td>4 PLC</td> <td>± 0.3</td> </tr> <tr> <td>ANGLES</td> <td>± 3°</td> </tr> </table>		0 PLC	± 0.3	1 PLC	± 0.3	2 PLC	± 0.3	3 PLC	± 0.3	4 PLC	± 0.3	ANGLES	± 3°	NAME
0 PLC	± 0.3													
1 PLC	± 0.3													
2 PLC	± 0.3													
3 PLC	± 0.3													
4 PLC	± 0.3													
ANGLES	± 3°													
MATERIAL		PRODUCT SPEC 108-5560												
FINISH		APPLICATION SPEC												
WEIGHT		SCALE												
CUSTOMER DRAWING		1:2												

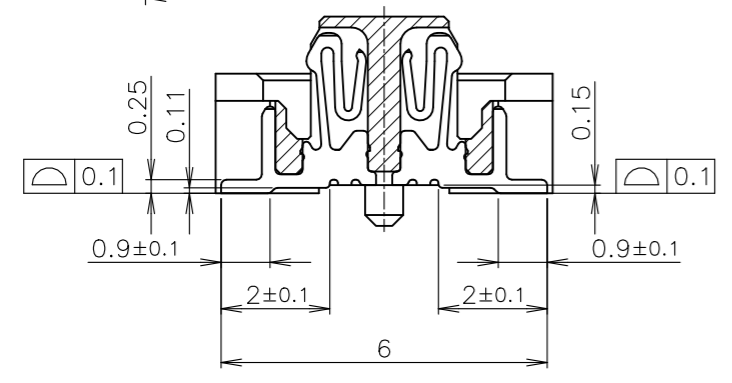
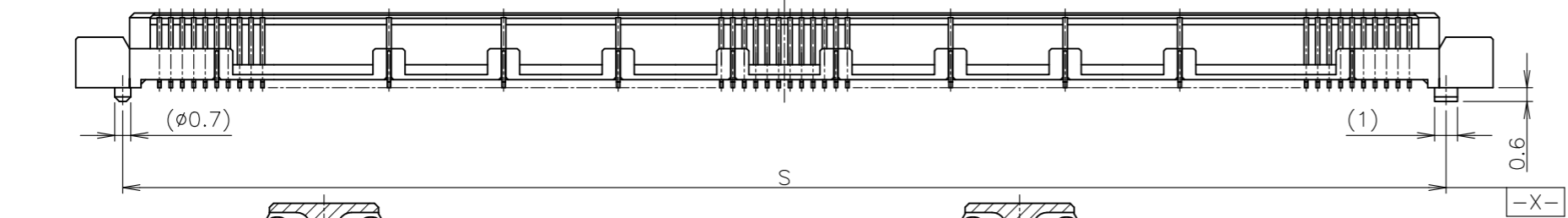
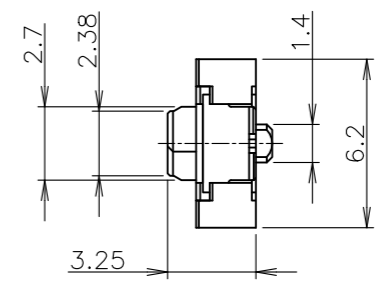
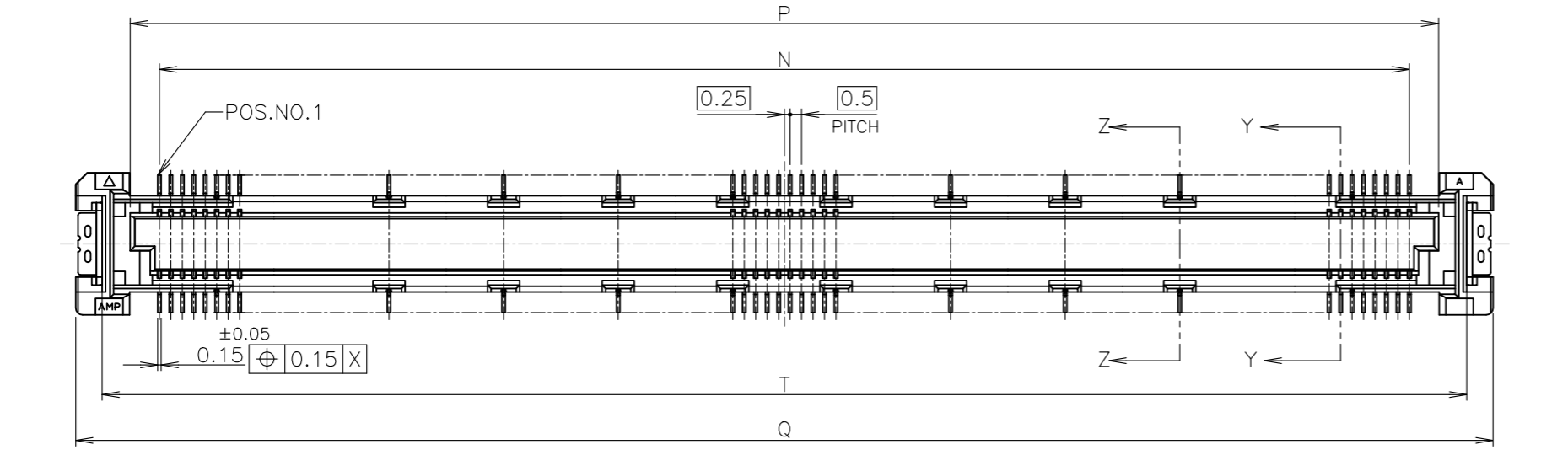
TE TE Connectivity Ltd.			
HARD TRAY ASSY FH 0.5BTB CONNECTOR 220POS REC 4H WITH GROUND PLATE			
SIZE	CAGE CODE	DRAWING NO	RESTRICTED TO
A3	00779	C-1939755	—
SCALE		SHEET	REV
1:2		1 of 3	C1

PRELIMINARY

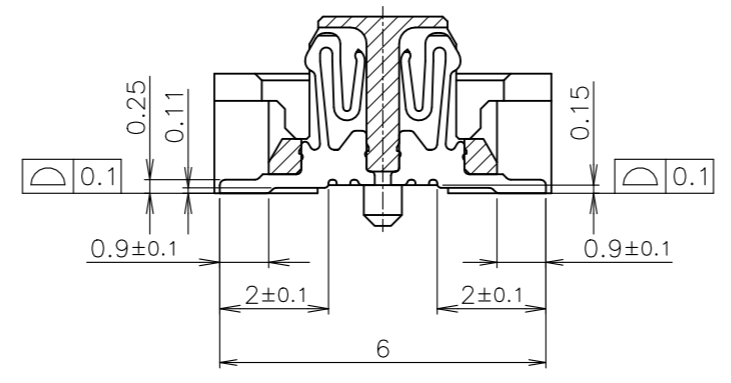
4 3 2 1

© 2002 TE Connectivity. All Rights Reserved.

REVISIONS				
P	LTR	DESCRIPTION	DATE	DWN
-	-	SEE SHEET 1	-	-



SECT. Z-Z
(GROUND POSITION)
(SCALE 8:1)



SECT. Y-Y
(SIGNAL POSITION)
(SCALE 8:1)

59.5	57.7	61.8	57.1	54.5	220	BLACK	3-1939755-6
T	S	Q	P	N	POS.	HSG COLOR	PART NO.

THIS DRAWING IS A CONTROLLED DOCUMENT.		DWN	TE Connectivity Ltd.
DIMENSIONS: MM		CHK	
TOLERANCES UNLESS OTHERWISE SPECIFIED:		APVD	
<ul style="list-style-type: none"> 0 PLC ± 0.3 1 PLC ± 0.3 2 PLC ± 0.3 3 PLC ± 0.3 4 PLC ± 0.3 ANGLES ± 3° 		PRODUCT SPEC	
MATERIAL		APPLICATION SPEC	NAME HARD TRAY ASSY FH 0.5BTB CONNECTOR 220POS REC 4H WITH GROUND PLATE
FINISH		WEIGHT	SIZE CAGE CODE DRAWING NO RESTRICTED TO
1		2	
CUSTOMER DRAWING			SCALE 4:1 SHEET 2 of 3 REV C1

A3		00779		C-1939755		RESTRICTED TO	
SCALE 4:1			SHEET 2 of 3		REV C1		

PRELIMINARY

4

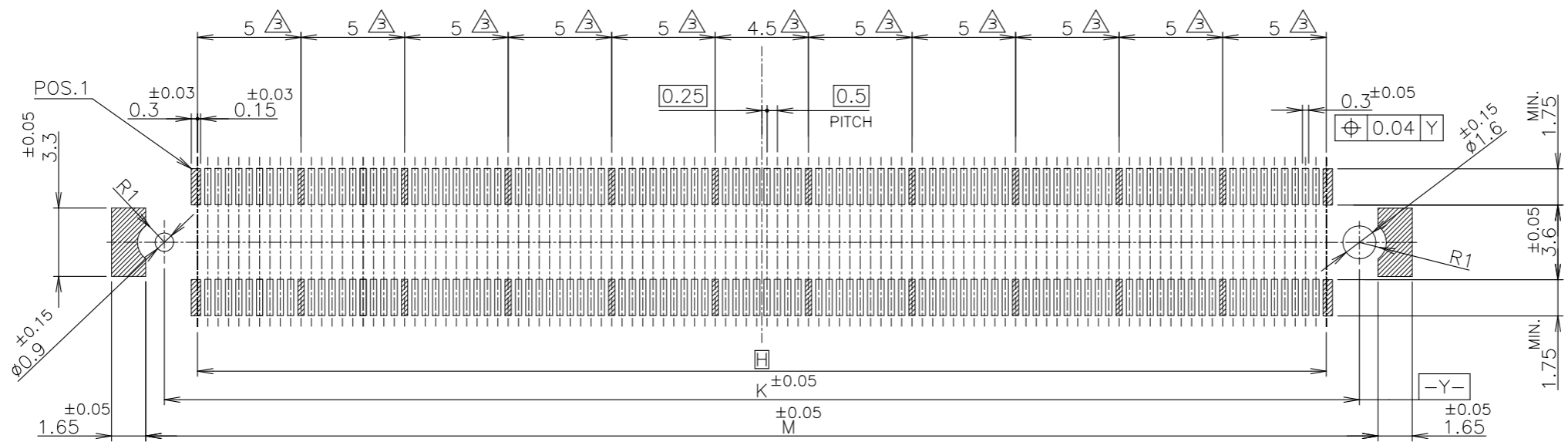
3

2

1

© 2006 TE Connectivity. All Rights Reserved.

REVISIONS				
P	LTR	DESCRIPTION	DATE	APVD
-	-	SEE SHEET 1	-	-



REFERENCE P.C.BOARD LAYOUT

- NOTES**
- △ MATERIAL ; HOUSING : HIGH TEMP THERMO PLASTIC UL94V-0
CONTACT : COPPER ALLOY
SOLDER PEG : COPPER ALLOY
 - △ FINISH ; SIGNAL CONTACT : UNDER PL Ni
0.0013mm MIN ALL OVER.
CONTACT AREA
0.00076mm MIN Au PL.
SOLDERING AREA
0.00005mm MIN Au PL.
 - GROUND CONTACT : UNDER PL Ni
0.0013mm MIN ALL OVER.
CONTACT AREA
0.00076mm MIN Au PL.
SOLDERING AREA
0.00005mm MIN Au PL.
 - ⊙ SOLDER PEG : 0.001mm MIN
TIN PL. OVER
0.0013mm MIN
Ni PL ALL OVER.
 - △ THIS POSITION IS GROUND CIRCUIT.

59.5	57.7	54.5	220	3-1939755-6
M	K	H	POS	PART NO.

THIS DRAWING IS A CONTROLLED DOCUMENT.		DWN		TE TE Connectivity Ltd.	
DIMENSIONS: MM		TOLERANCES UNLESS OTHERWISE SPECIFIED:			
		0 PLC ± 0.3 1 PLC ± 0.3 2 PLC ± 0.3 3 PLC ± 0.3 4 PLC ± 0.3 ANGLES ± 3°		NAME	
MATERIAL		FINISH		HARD TRAY ASSY FH 0.5BTB CONNECTOR 220POS REC 4H WITH GROUND PLATE	
CUSTOMER DRAWING		WEIGHT		SIZE CAGE CODE DRAWING NO RESTRICTED TO	
SCALE 4:1		SHEET 3 OF 3		REV C1	