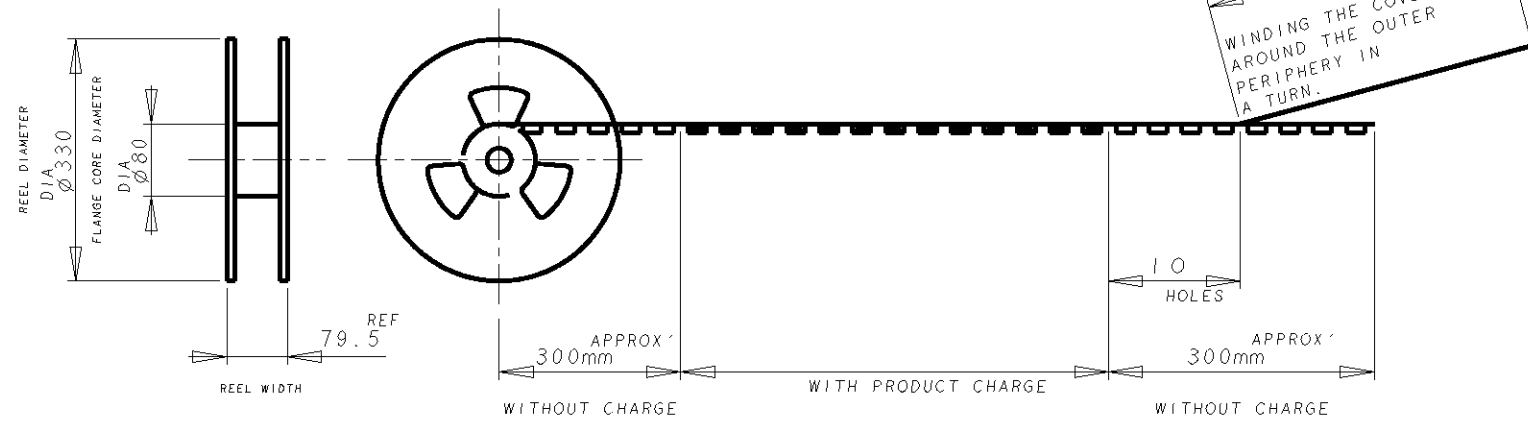
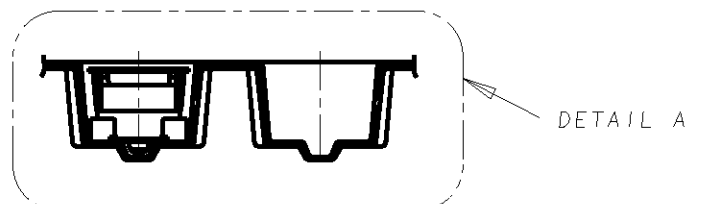
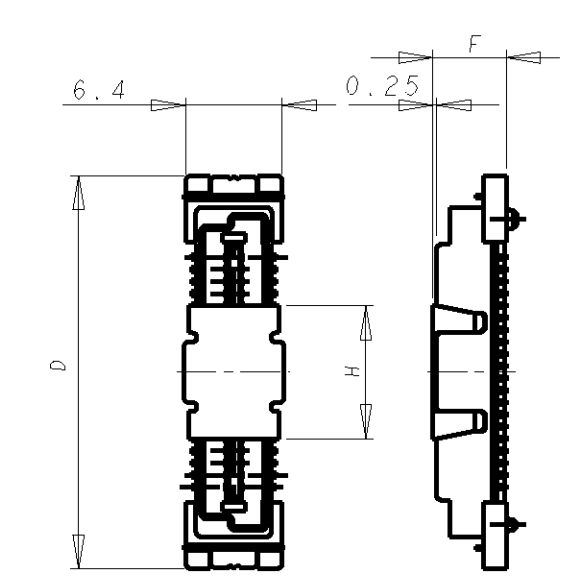
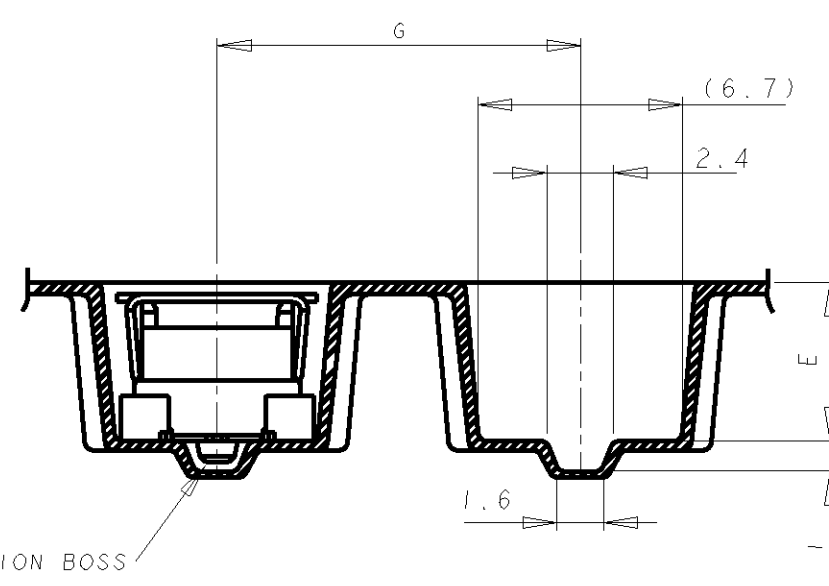
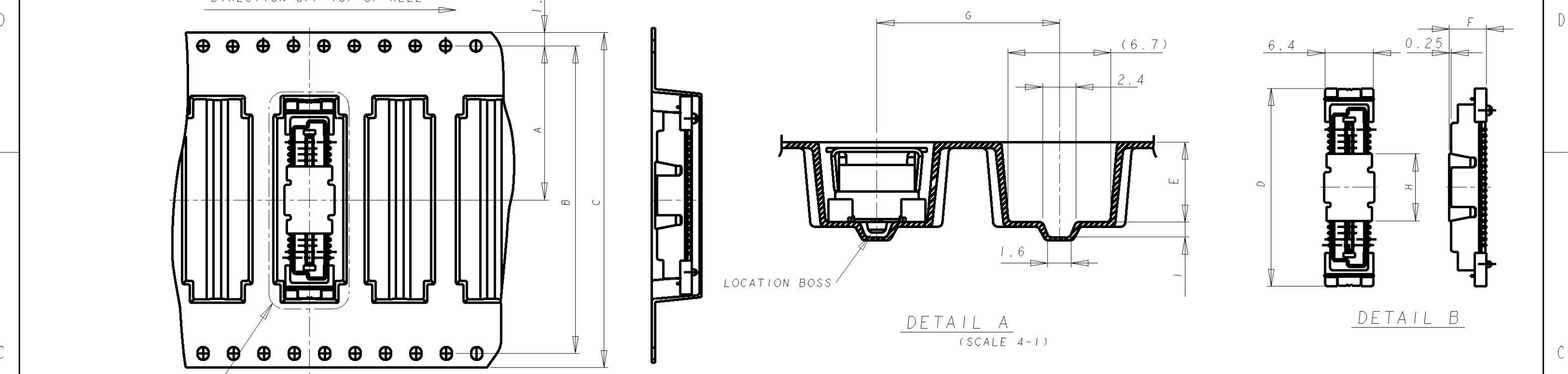


THIS DRAWING IS UNPUBLISHED. RELEASED FOR PUBLICATION .19
 © COPYRIGHT 19 BY AMP INCORPORATED. ALL RIGHTS RESERVED.

LOC	DIST	REVISIONS					
J	-	P	LTR	DESCRIPTION	DATE	DWN	APVD
		A		RELEASED	27OCT2006	T.K	D.M



600	8H	8.8	12	7.85	8.25	42	56	52.4	26.2	80	1-1939476-3	1-1939480-3
QTY	HEIGHT TYPE	H	G	F	E	D	C	B	A	POS	CONN P/N	PART NO.

<small>THIS DRAWING IS A CONTROLLED DOCUMENT FOR AMP INCORPORATED. IT IS SUBJECT TO CHANGE AND THE CONTROLLING ENGINEERING ORGANIZATION SHOULD BE CONTACTED FOR THE LATEST REVISION.</small>		DWN T.KUDO 27OCT2006 CHK D.MITSUGI 27OCT2006 APVD D.MITSUGI 27OCT2006	tyco Electronics Tyco Electronics AMP K.K. Kawasaki, Japan
DIMENSIONS: mm 	TOLERANCES UNLESS OTHERWISE SPECIFIED: 0 PLC ±- 1 PLC ±0.1 2 PLC ±0.1 3 PLC ±0.1 4 PLC ±- ANGLES ±-	PRODUCT SPEC - APPLICATION SPEC - WEIGHT -	NAME PLUG ASSY WITH SOLDER PEG FOR FH 0.76 μm Au 0.8mm B-T-B CONN. (STACK HEIGHT 5mm, 0.7 BOSS LENGTH) ON TAPING
MATERIAL -	FINISH -	CUSTOMER DRAWING	SIZE A3 CAGE CODE 00779 DRAWING NO. C-1939480 SCALE 2:1 SHEET 1 OF 1 REV A