

THIS DRAWING IS UNPUBLISHED.

RELEASED FOR PUBLICATION MAY ,2010.

© COPYRIGHT 2010 By -

ALL RIGHTS RESERVED.

LOC ES	DIST /	REVISIONS 変更			DATE	DWN	APVD
P	LTR	DESCRIPTION					

- 1 CONTACT COPLANALITY IS 0.1 MAX.
- 2 THIS DIMENSION MEANS CENTER OF THE POCKET.
- 3 M3 TAPPING + BVTP RECOMMENDED TORQUE: 68.6N (7Kgf) MAX.
- 4 FINISH
CONTACT: V μm MIN. Au PL. ON CONTACT AREA (V: SEE TABLE)
0.03~0.1 μm Au PL. ON TERMINAL AREA
Ni UNDER PL. ALL OVER
SHELL: Sn PL. (MATTE) ALL OVER
Ni UNDER PL. ALL OVER
- 5 SCREW SIZE
- 6 QTY PRINT ON THE LABEL. (EMBOSS PACKING)

(B2)	0.1	-	△ 550	0.9	-	-	-	-	33.5	37.5	9.32	0.4	32	28.4	14.2	16	WITHOUT TAPE	WITHOUT FLANGE	THROUGH HOLE	(SEE SHEET 2)	EMBOSS (SEE SHEET 5)	1932649-6
	obsolete		70	1.9	46	138	6-23	46	-	-	-	-	-	-	-	-	WITHOUT TAPE	WITH FLANGE	THROUGH HOLE	(SEE SHEET 4)	SOFT TRAY (SEE SHEET 6)	2-1932649-5
	obsolete		70	1.9	46	138	6-23	46	-	-	-	-	-	-	-	-	WITHOUT TAPE	WITH FLANGE	THROUGH HOLE	(SEE SHEET 3)	SOFT TRAY (SEE SHEET 6)	1-1932649-5
	obsolete		70	1.9	46	138	6-23	46	-	-	-	-	-	-	-	-	WITHOUT TAPE	WITH FLANGE	THROUGH HOLE	(SEE SHEET 3)	SOFT TRAY (SEE SHEET 6)	1-1932649-2
	obsolete		70	1.9	46	138	6-23	46	-	-	-	-	-	-	-	-	WITHOUT TAPE	WITH FLANGE	THROUGH HOLE	(SEE SHEET 3)	SOFT TRAY (SEE SHEET 6)	1932649-5
	obsolete		70	1.9	46	138	6-23	46	-	-	-	-	-	-	-	-	WITHOUT TAPE	WITH FLANGE	THROUGH HOLE	(SEE SHEET 3)	SOFT TRAY (SEE SHEET 6)	1932649-4
	obsolete		△ 200	1.9	-	-	-	-	45.5	49.5	18.3	0.5	44	40.4	20.2	20	WITHOUT TAPE	WITH FLANGE	THROUGH HOLE	(SEE SHEET 3)	EMBOSS (SEE SHEET 5)	1932649-3
	obsolete		70	1.9	46	138	6-23	46	-	-	-	-	-	-	-	-	WITHOUT TAPE	WITH FLANGE	THROUGH HOLE	(SEE SHEET 3)	SOFT TRAY (SEE SHEET 6)	1932649-2
	obsolete		△ 550	1.9	-	-	-	-	33.5	37.5	9.32	0.4	32	28.4	14.2	16	WITHOUT TAPE	WITHOUT FLANGE	THROUGH HOLE	(SEE SHEET 2)	EMBOSS (SEE SHEET 5)	1932649-1
V	U	T	AA	S	R	P	N	M	L	K	J	H	G	F	E		POLYIMIDE TAPE	FLANGE	SHELL TYPE	CONNECTOR	PACKING	PART NUMBER

△ Au PL. △ SCREW SIZE QTY DIMENSION PART LIST

THIS DRAWING IS A CONTROLLED DOCUMENT.

DIMENSIONS: 単位: 耗 mm TOLERANCES UNLESS OTHERWISE SPECIFIED: 一般公差

DWN	C.FISHER	20MAY2010
CHK	L.MARTIN	20MAY2010
APVD	Y.STEVEN	20MAY2010
PRODUCT SPEC	製品規格	
APPLICATION SPEC	取付適用規格	
WEIGHT	108-78180-8	

MATERIAL 材料 FINISH 仕上

0 PLC ±
1 PLC ±
2 PLC ±
3 PLC ±
4 PLC ±
ANGLES ±

STE TE Connectivity

HDMI 19 POS RECEPTACLE ASSY
SMT SHORT TYPE

NAME 名称

SIZE CAGE CODE DRAWING NO 番号 RESTRICTED TO

A3 00779 C=1932649

CUSTOMER DRAWING SCALE 尺度 4:1 SHEET 1 of 7 REV B3

THIS DRAWING IS UNPUBLISHED.

RELEASED FOR PUBLICATION

MAY ,2010.

© COPYRIGHT 2010 By -

ALL RIGHTS RESERVED.

LOC

DIST

REVISIONS

変更

DESCRIPTION

DATE

DWN

APVD

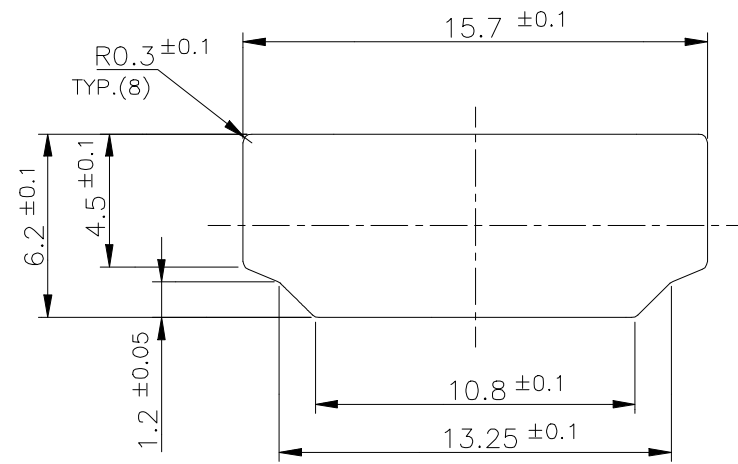
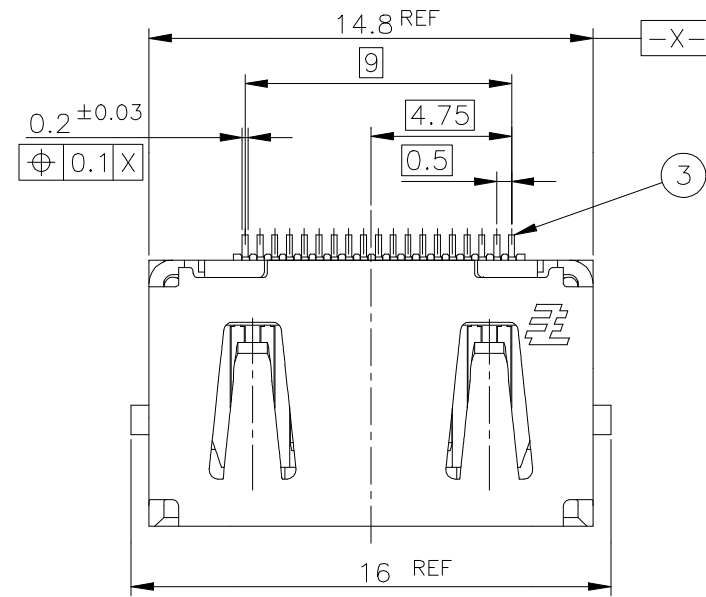
P

LTR

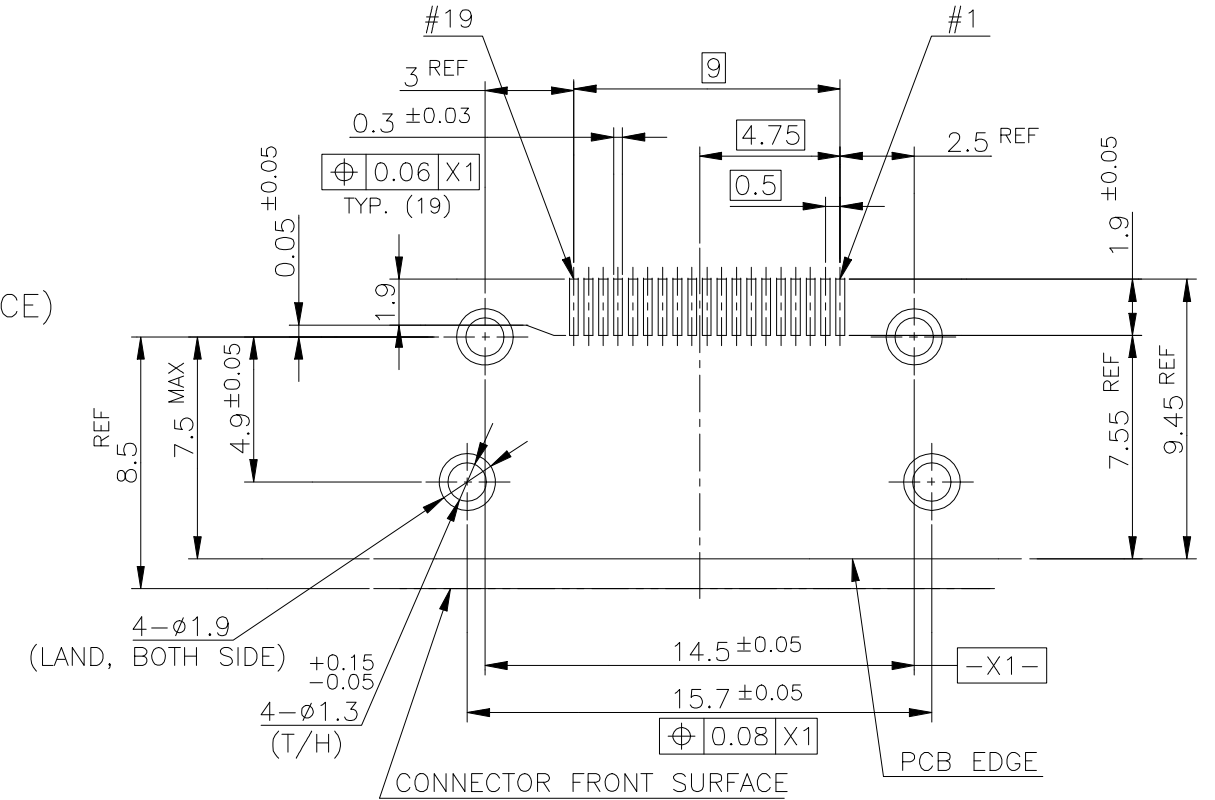
SEE SHEET 1

D

D



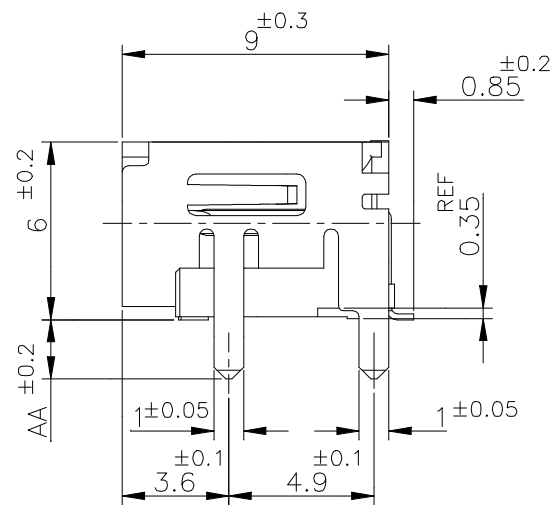
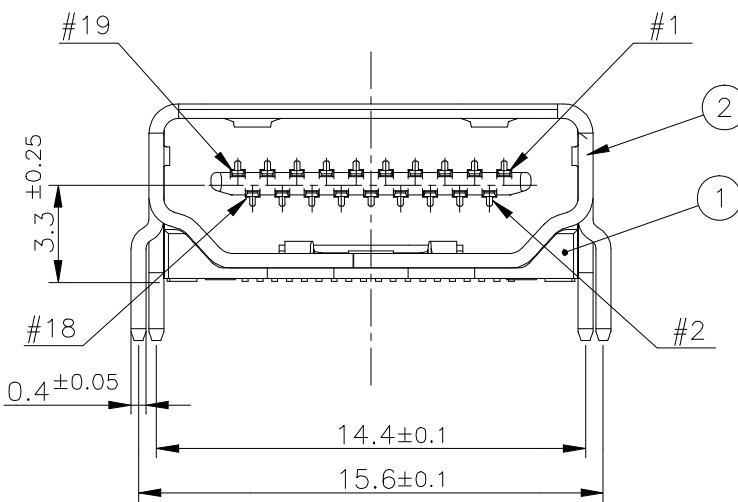
PANEL CUT OUT DIMENSION (REFERENCE)



P.C.B LAYOUT (REFERENCE)
SHOWN AS CONNECTOR MOUNTING SIDE
TOLERANCE: NON-CUMULATIVE

C

C

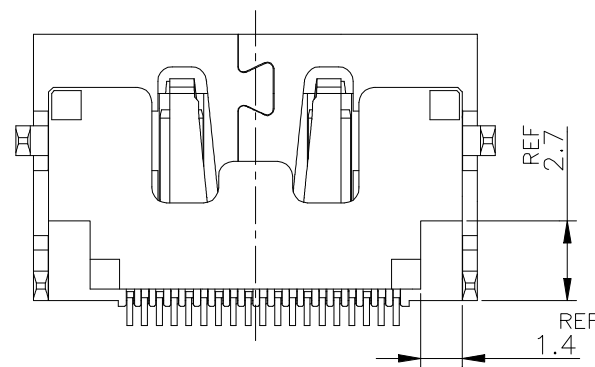


CONNECTOR: WITHOUT FLANGE THROUGH HOLE TYPE

BRASS	CONTACT	(3)
STAINLESS STEEL	SHELL	(2)
GLASS FILLED LCP UL94V-0, BLACK COLOR	HOUSING	(1)
MATERIAL	DESCRIPTION	ITEM

B

B



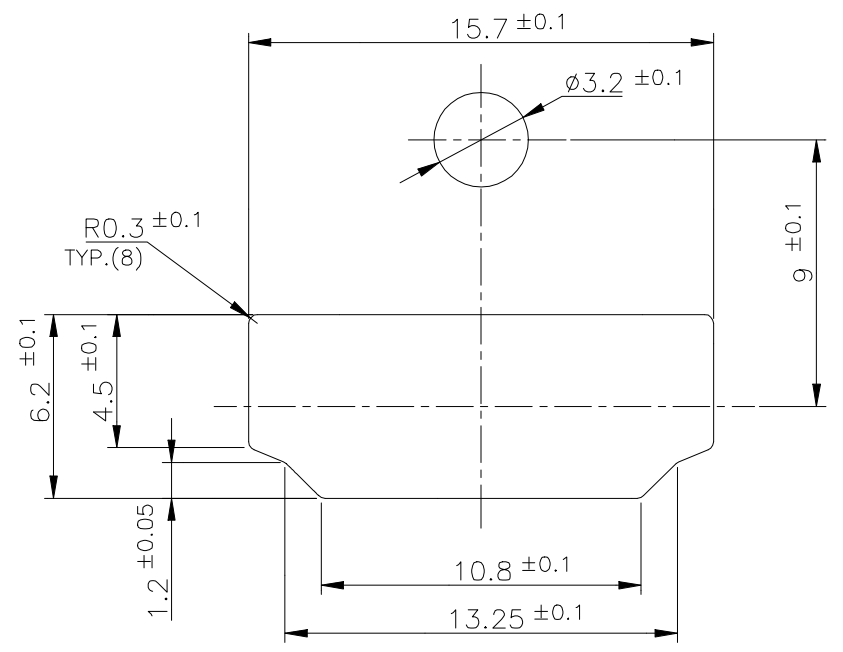
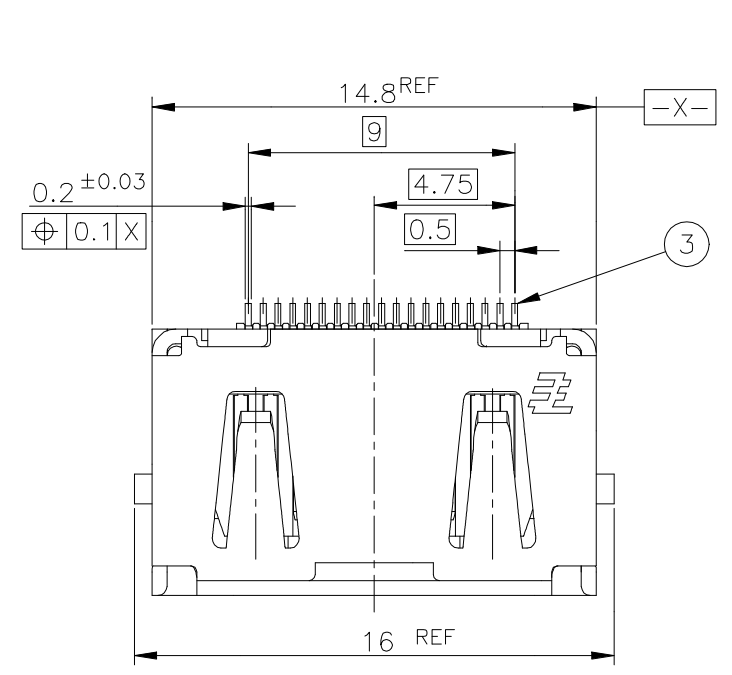
A

A

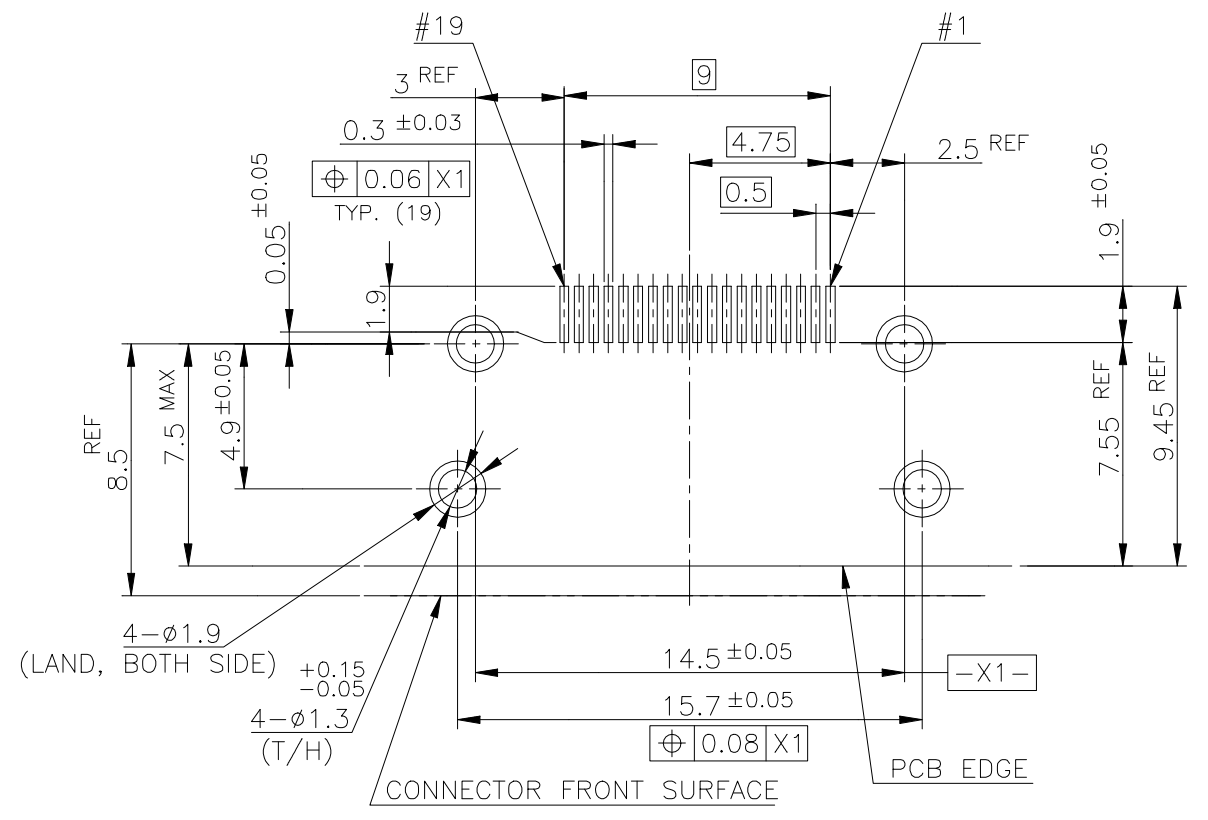
THIS DRAWING IS A CONTROLLED DOCUMENT.		DWN		TE Connectivity	
DIMENSIONS: 單位: 耗 mm		CHK			
TOLERANCES UNLESS OTHERWISE SPECIFIED: 一般公差		APVD			
0 PLC ± 1 PLC ± 2 PLC ± 3 PLC ± 4 PLC ± ANGLES ±		PRODUCT SPEC 製品規格 APPLICATION SPEC 取付適用規格 WEIGHT			
MATERIAL 材料		FINISH 仕上		NAME 名称	
				HDMI 19 POS RECEPTACLE ASSY SMT SHORT TYPE	
		CUSTOMER DRAWING		SIZE	RESTRICTED TO
				A3	
				CAGE CODE	
				00779	
				DRAWING NO 番号	
				C=1932649	
				SCALE 尺度	
				4:1	
				SHEET	
				2 of 7	
				REV	
				B3	

THIS DRAWING IS UNPUBLISHED. RELEASED FOR PUBLICATION SEP ,2005.
 © COPYRIGHT 2005 By - ALL RIGHTS RESERVED.

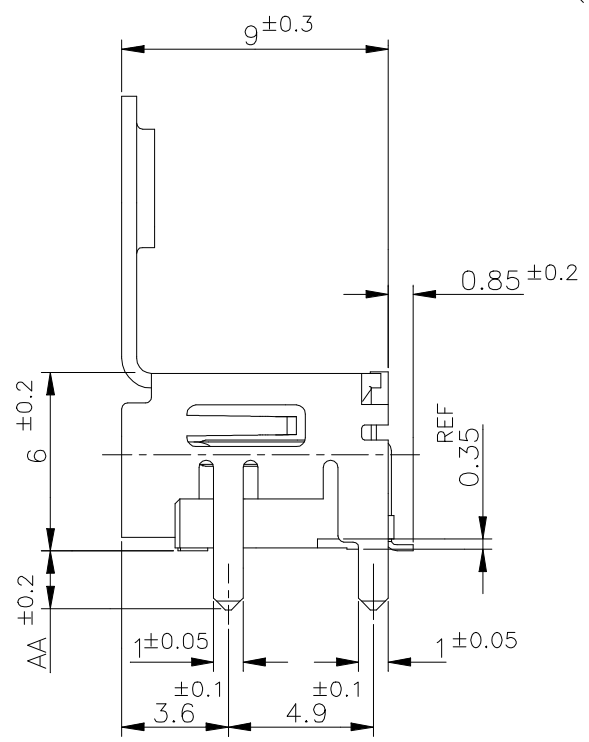
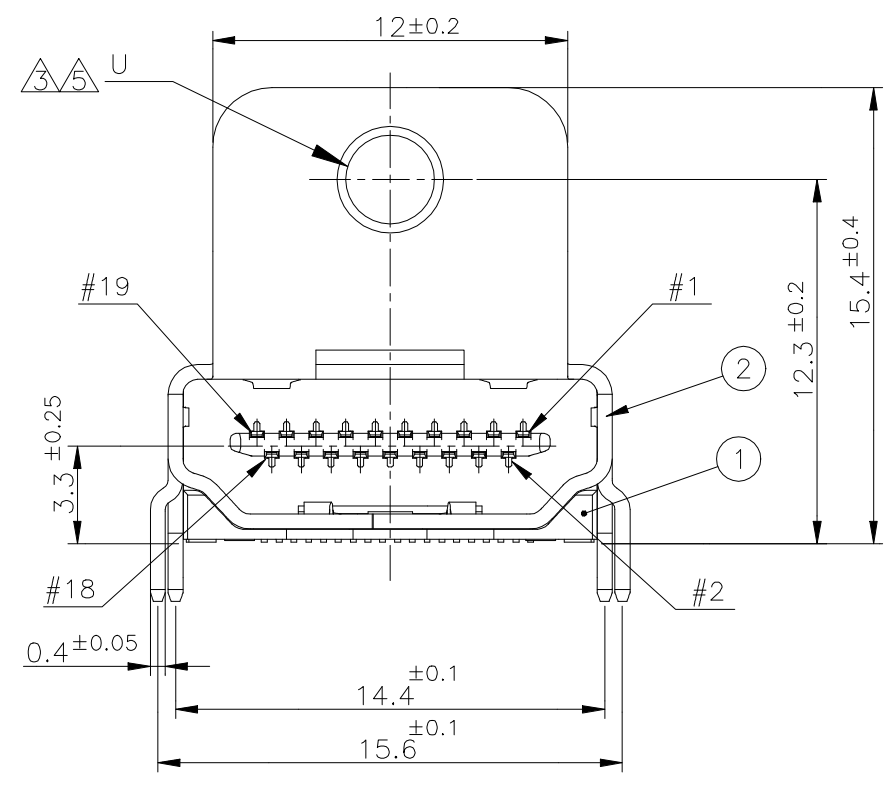
LOC	DIST	REVISIONS					
ES		P	LTR	DESCRIPTION	DATE	DWN	APVD
		-		SEE SHEET 1	-	-	-



PANEL CUT OUT DIMENSION (REFERENCE)

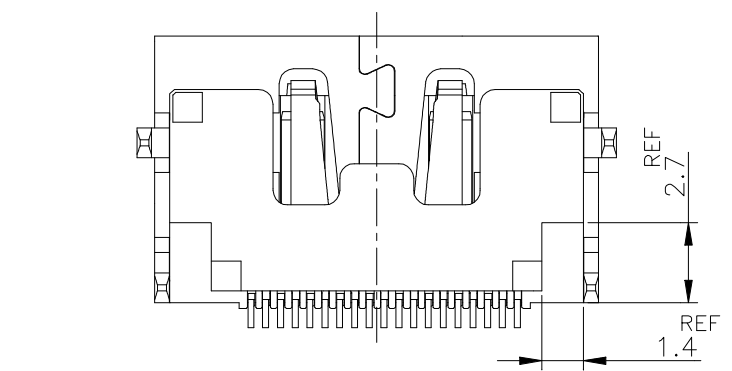


P.C.B LAYOUT (REFERENCE)
 SHOWN AS CONNECTOR MOUNTING SIDE
 TOLERANCE: NON-CUMULATIVE



CONNECTOR: WITH FLANGE THROUGH HOLE TYPE

BRASS	CONTACT	③
STAINLESS STEEL	SHELL	②
GLASS FILLED LCP UL94V-0, BLACK COLOR	HOUSING	①
MATERIAL	DESCRIPTION	ITEM



THIS DRAWING IS A CONTROLLED DOCUMENT.		DWN	 TE Connectivity			
DIMENSIONS: 單位: 耗 mm		CHK				
TOLERANCES UNLESS OTHERWISE SPECIFIED: 一般公差		APVD				
0 PLC ± 1 PLC ± 2 PLC ± 3 PLC ± 4 PLC ± ANGLES ±		NAME 名稱				
MATERIAL 材料		FINISH 仕上	HDMI 19 POS RECEPTACLE ASSY SMT SHORT TYPE			
CUSTOMER DRAWING		WEIGHT	SIZE	CAGE CODE	DRAWING NO 番号	RESTRICTED TO
			A3	00779	G-1932649	-
			SCALE 尺度	SHEET	REV	
			4:1	3 of 7	B3	

4

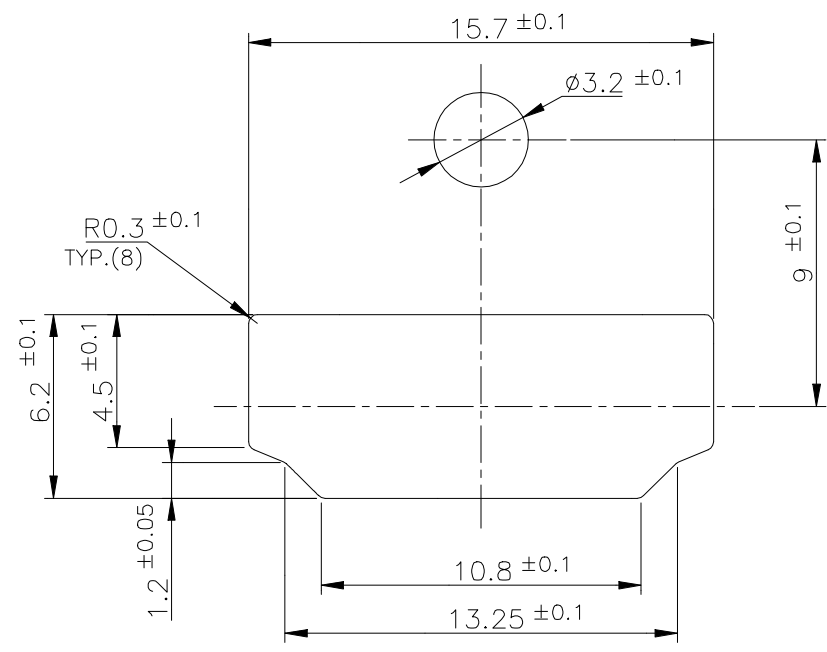
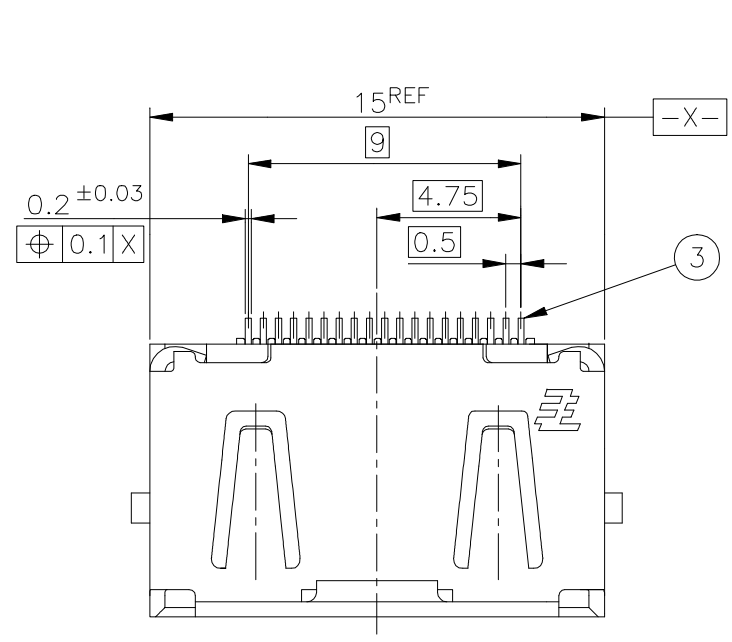
3

2

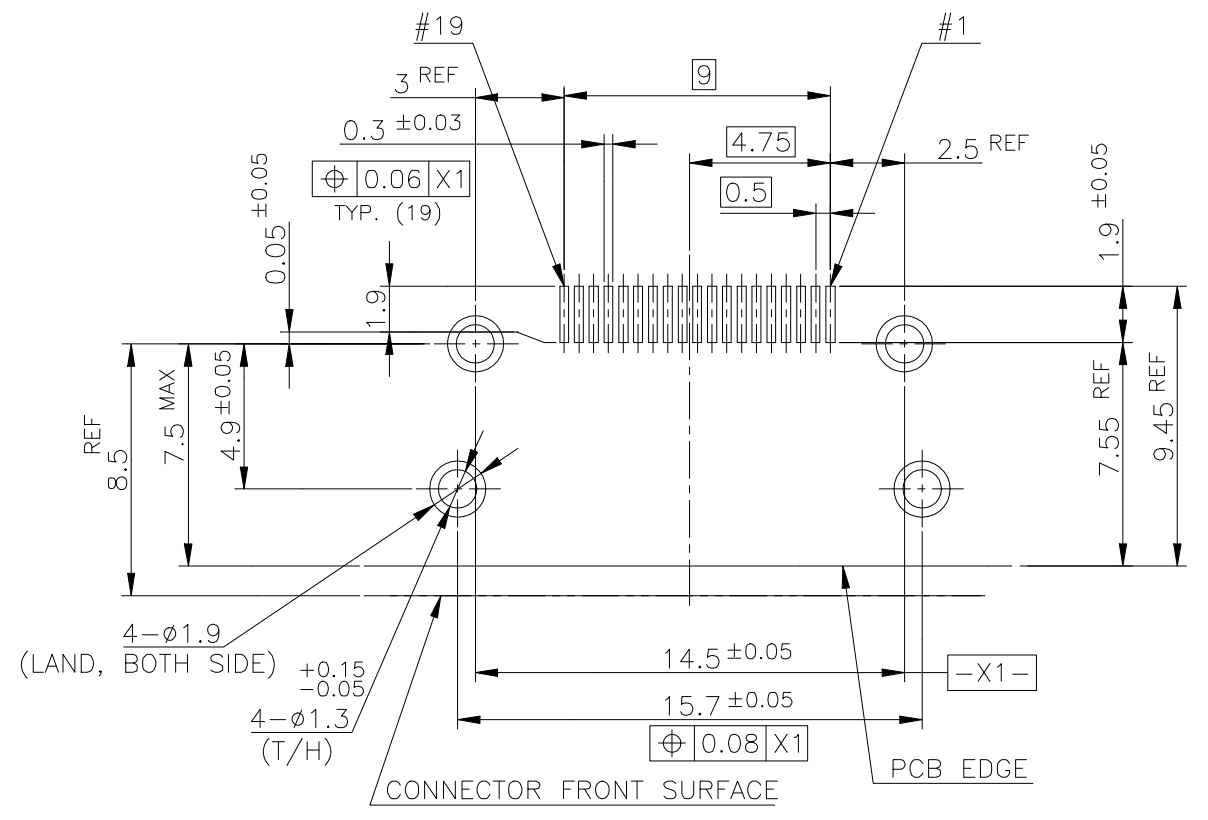
1

THIS DRAWING IS UNPUBLISHED. RELEASED FOR PUBLICATION SEP ,2005.
 © COPYRIGHT 2005 By - ALL RIGHTS RESERVED.

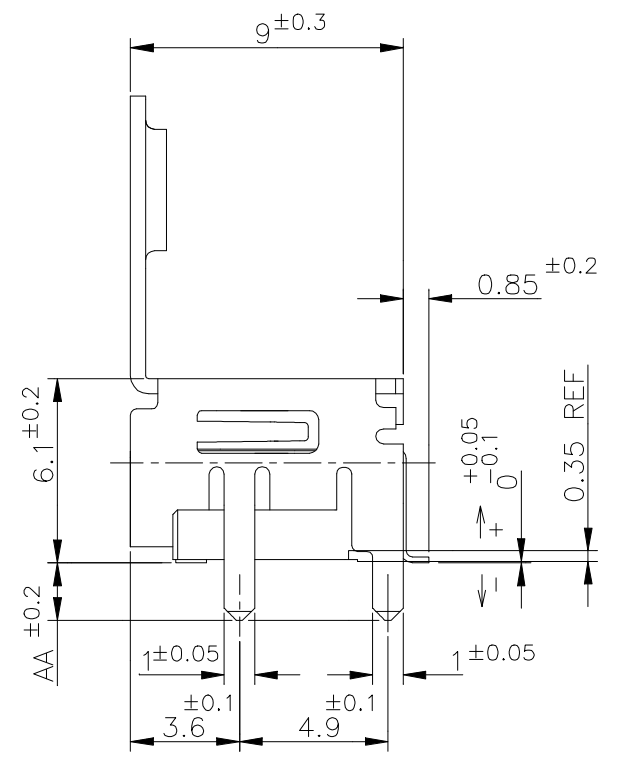
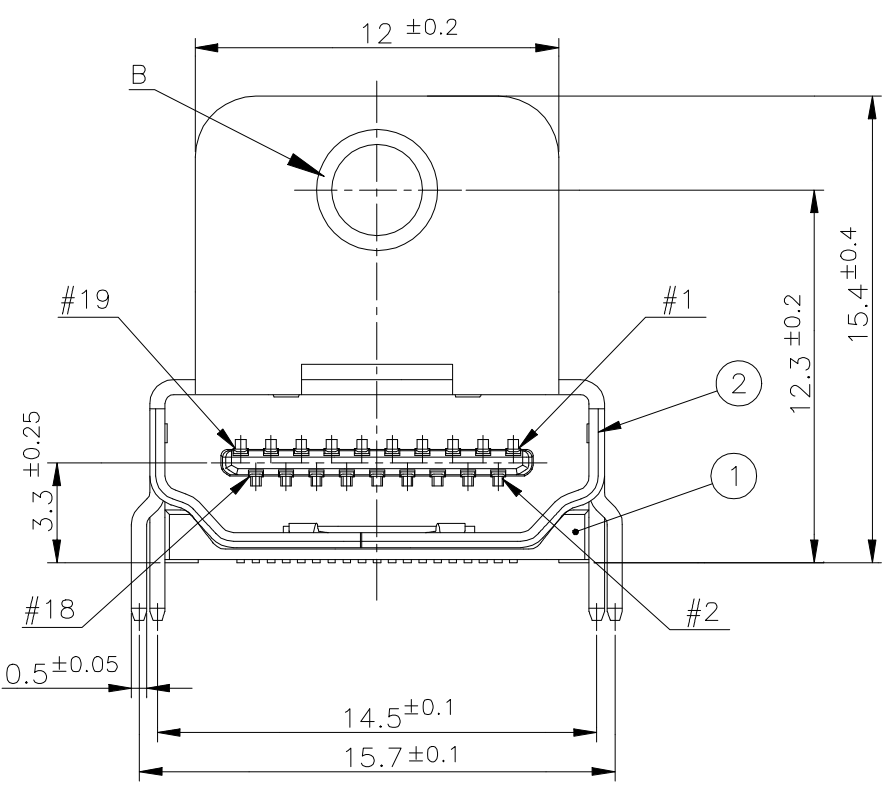
LOC	DIST	REVISIONS					
ES		P	LTR	DESCRIPTION	DATE	DWN	APVD
		-		SEE SHEET 1	-	-	-



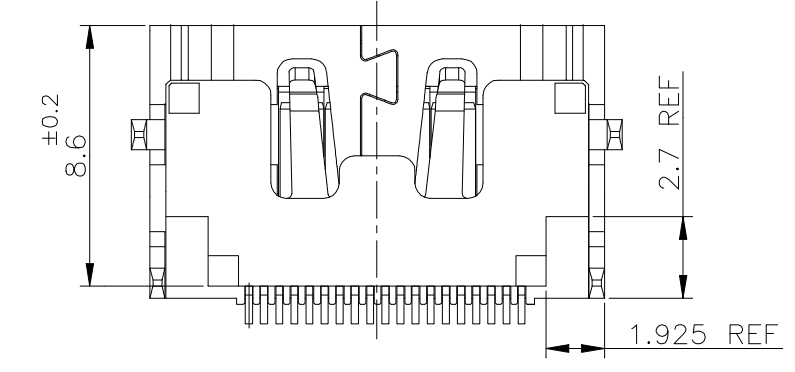
PANEL CUT OUT DIMENSION (REFERENCE)



P.C.B LAYOUT (REFERENCE)
 SHOWN AS CONNECTOR MOUNTING SIDE
 TOLERANCE: NON-CUMULATIVE



CONNECTOR: WITH FLANGE THROUGH HOLE TYPE



BRASS	CONTACT	(3)
BRASS	SHELL	(2)
GLASS FILLED LCP UL94V-0, BLACK COLOR	HOUSING	(1)
MATERIAL	DESCRIPTION	ITEM

THIS DRAWING IS A CONTROLLED DOCUMENT.		DWN	TE Connectivity			
DIMENSIONS: 單位: 耗 mm		CHK				
TOLERANCES UNLESS OTHERWISE SPECIFIED: 一般公差 ±		APVD				
0 PLC ± 1 PLC ± 2 PLC ± 3 PLC ± 4 PLC ± ANGLES ± FINISH 仕上		NAME 名稱 HDMI 19 POS RECEPTACLE ASSY SMT SHORT TYPE				
MATERIAL 材料	WEIGHT	PRODUCT SPEC 製品規格	SIZE	CAGE CODE	DRAWING NO 番号	RESTRICTED TO
		APPLICATION SPEC 取付適用規格	A3	00779	C=1932649	
CUSTOMER DRAWING			SCALE 尺度	SHEET	REV	
			4:1	4 of 7	B3	

THIS DRAWING IS UNPUBLISHED.

RELEASED FOR PUBLICATION MAY, 2010.

© COPYRIGHT 2010 By -

ALL RIGHTS RESERVED.

LOC

DIST

REVISIONS

変更

DESCRIPTION

DATE

DWN

APVD

ES

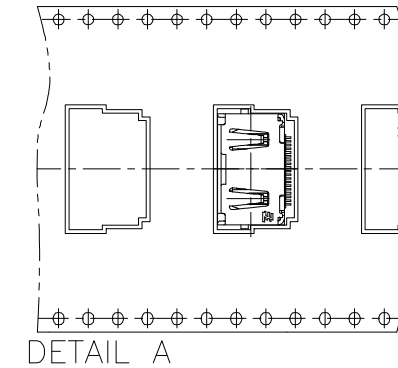
P

LTR

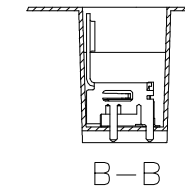
SEE SHEET 1

1932649-1, 1932649-6; AS SHOWN

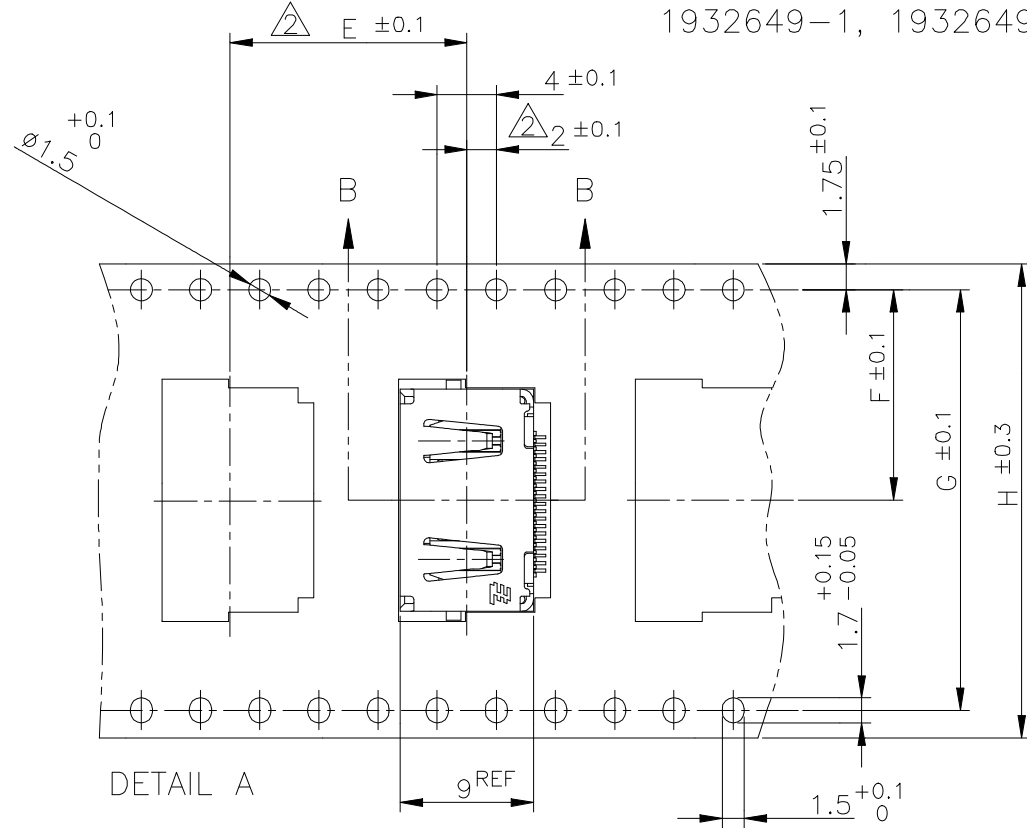
1932649-3; AS SHOWN
(SCALE 1:1)



DETAIL A

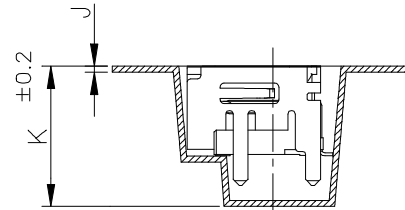


B-B

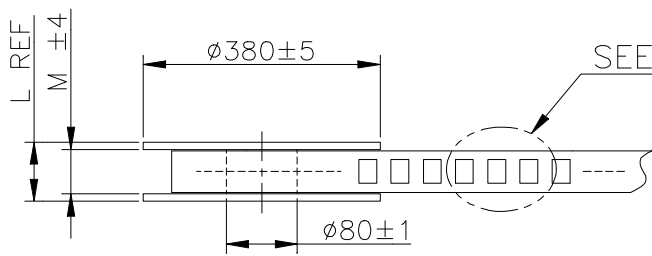


DETAIL A

9 REF



B-B



SEE DETAIL A

WEEDING THE COVER TAPE: 300 MIN
(NOT INCLUDE EMPTINESS POCKET)

PELLING ANGLE: 165°~180°
PEELING STRENGTH:
0.1~0.7N (300mm/min.)

PLASTIC REEL

PULL OUT DIRECTION

CARRIER TAPE

LABEL

400 MIN. WITH PRODUCT CHARGE
QTY: T PCS 25 HOLES MIN.



LABEL DESCRIPTION

TYCO P/N: *-1932649-*
QTY: * pcs
D/C:
MADE IN CHINA

PET	COVER TAPE
PS	CARRIER TAPE
PLASTIC	REEL
MATERIAL	DESCRIPTION

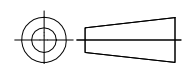
THIS DRAWING IS A CONTROLLED DOCUMENT.

DIMENSIONS:
單位: 耗
mm

TOLERANCES UNLESS
OTHERWISE SPECIFIED:
一般公差

- 0 PLC ±
- 1 PLC ±
- 2 PLC ±
- 3 PLC ±
- 4 PLC ±
- ANGLES ±
- FINISH 仕上

MATERIAL
材料



DWN

CHK

APVD

PRODUCT SPEC
製品規格

APPLICATION SPEC
取付適用規格

WEIGHT

CUSTOMER DRAWING



TE Connectivity

NAME
名称

HDMI 19 POS RECEPTACLE ASSY
SMT SHORT TYPE

SIZE

CAGE CODE

DRAWING NO
番号

RESTRICTED TO

A3

00779

1932649

SCALE
尺度 4:1

SHEET
5 of 7

REV
B3

4

3

2

1

THIS DRAWING IS UNPUBLISHED.

RELEASED FOR PUBLICATION

SEP ,2005.

© COPYRIGHT 2005 By -

ALL RIGHTS RESERVED.

LOC

DIST

REVISIONS

変更

DESCRIPTION

DATE

DWN

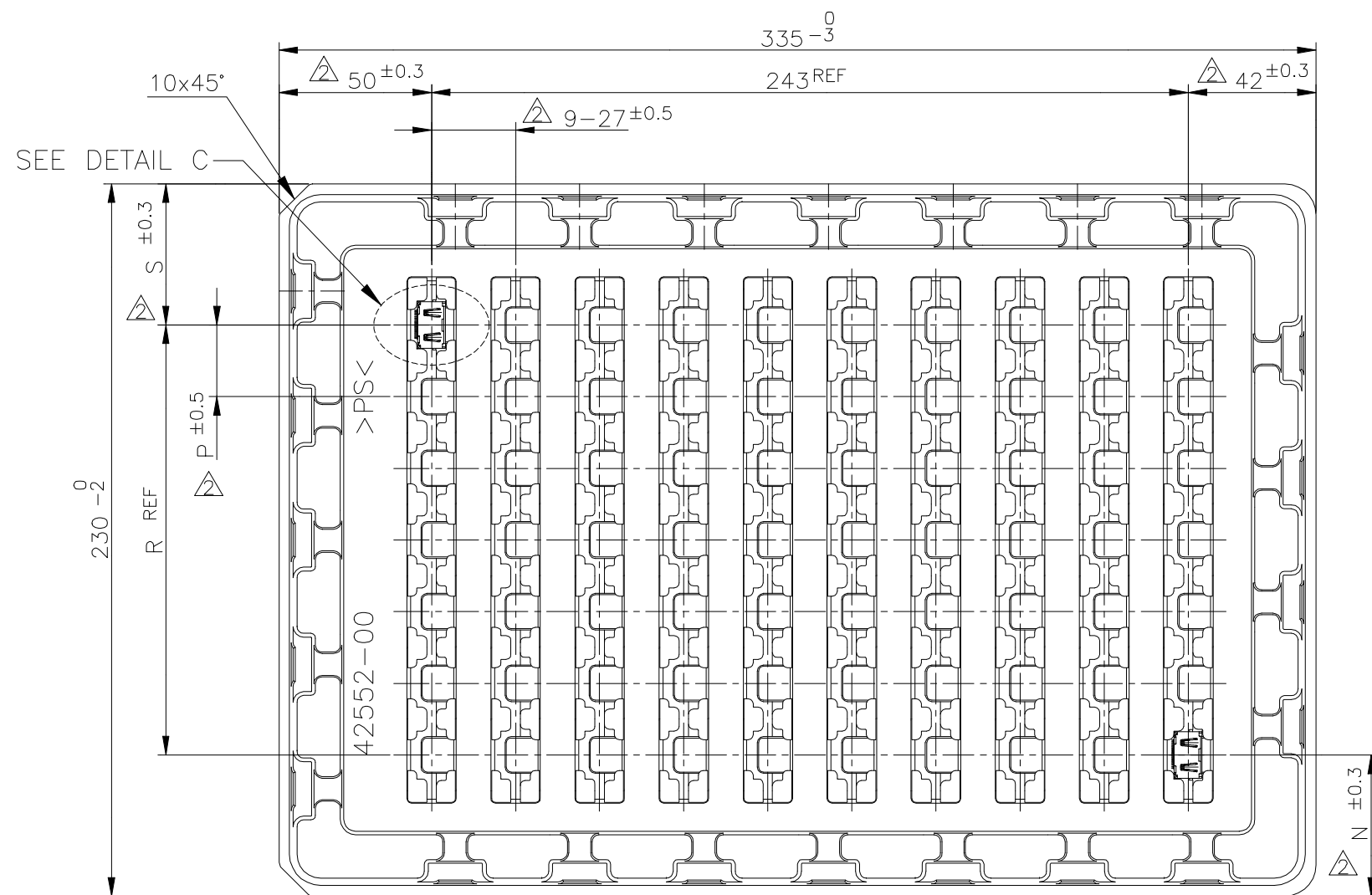
APVD

P

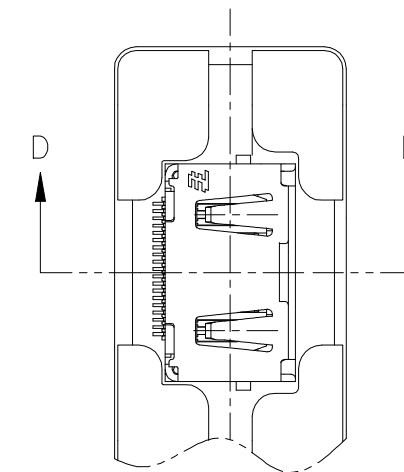
LTR

SEE SHEET 1

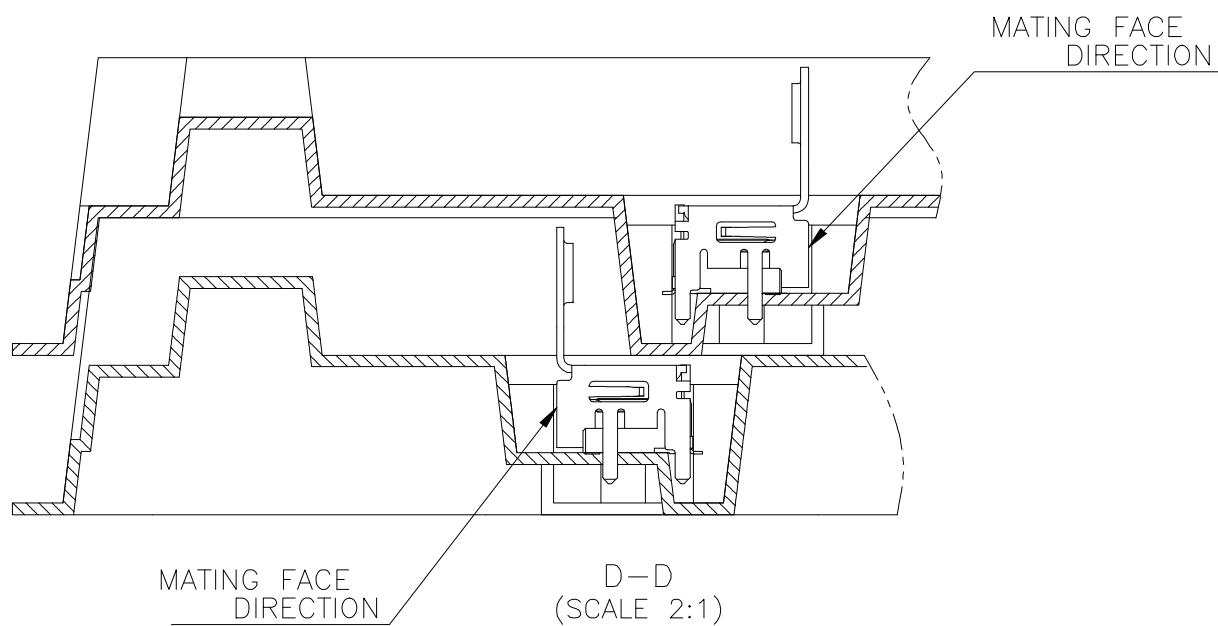
1932649-2, 1932649-4, 1932649-5, 1-1932649-2, 1-1932649-5, 2-1932649-5; AS SHOWN



20.1±0.8



DETAIL C (SCALE 2:1)



THIS DRAWING IS A CONTROLLED DOCUMENT.

DIMENSIONS: 单位: 耗 mm

TOLERANCES UNLESS OTHERWISE SPECIFIED: 一般公差

- 0 PLC ±
- 1 PLC ±
- 2 PLC ±
- 3 PLC ±
- 4 PLC ±
- ANGLES ±
- FINISH 仕上

MATERIAL 材料

DWN
CHK
APVD
PRODUCT SPEC 製品規格
APPLICATION SPEC 取付適用規格
WEIGHT
CUSTOMER DRAWING

PS		TRAY	
MATERIAL		DESCRIPTION	
STE TE Connectivity			
NAME 名称 HDMI 19 POS RECEPTACLE ASSY SMT SHORT TYPE			
SIZE	CAGE CODE	DRAWING NO 番号	RESTRICTED TO
A3	00779	C-1932649	-
SCALE 尺度 4:1		SHEET 6 of 7	REV B3

4

3

2

1

THIS DRAWING IS UNPUBLISHED.

RELEASED FOR PUBLICATION MAY ,2010.

© COPYRIGHT 2010 By -

ALL RIGHTS RESERVED.

LOC
ES

DIST
-

REVISIONS

変更

DESCRIPTION

DATE

DWN

APVD

P

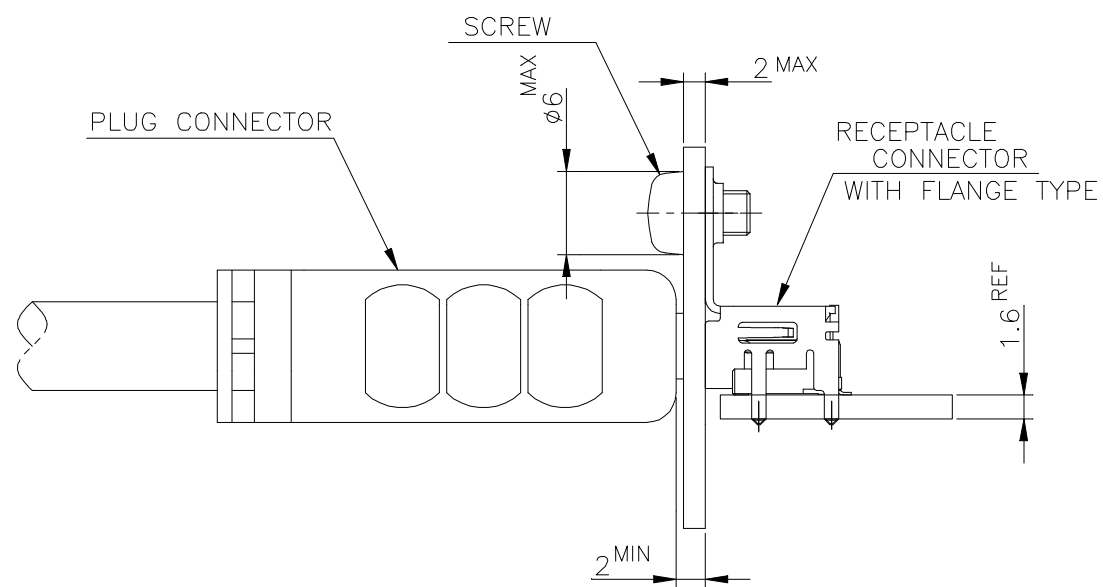
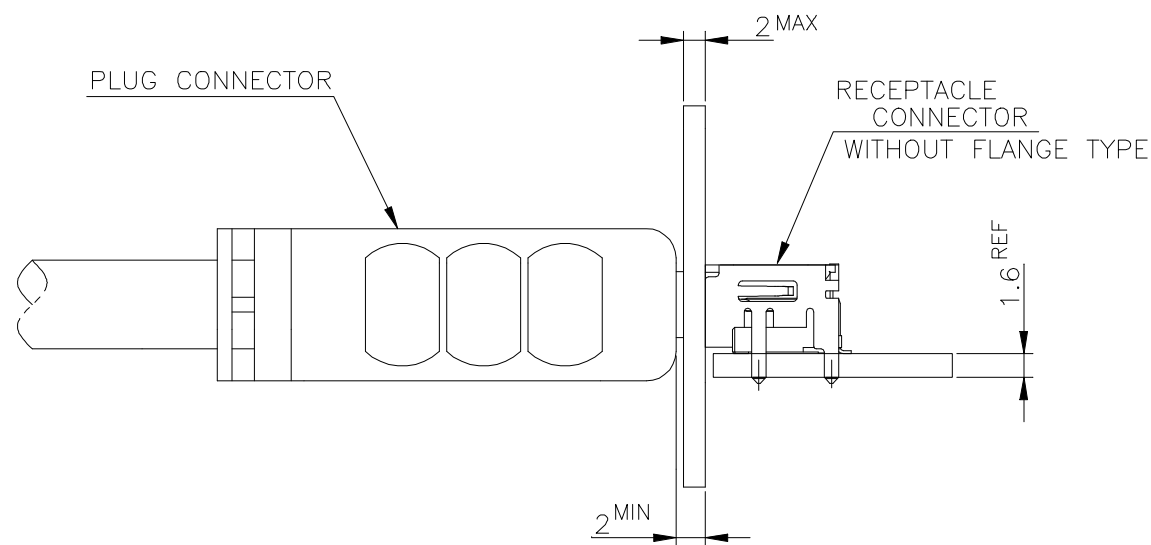
LTR

SEE SHEET 1

-

-

-



MATING CONDITION (REFERENCE)
(SCALE 2:1)

THIS DRAWING IS A CONTROLLED DOCUMENT.

DIMENSIONS:
單位: 耗
mm

TOLERANCES UNLESS
OTHERWISE SPECIFIED:
一般公差

- 0 PLC ±
- 1 PLC ±
- 2 PLC ±
- 3 PLC ±
- 4 PLC ±
- ANGLES ±

MATERIAL
材料

FINISH
仕上

DWN

CHK

APVD

PRODUCT SPEC
製品規格

APPLICATION SPEC
取付適用規格

WEIGHT

CUSTOMER DRAWING



NAME
名称
HDMI 19 POS RECEPTACLE ASSY
SMT SHORT TYPE

SIZE
A3
CAGE CODE
00779
DRAWING NO
番号
1932649

RESTRICTED TO

SCALE
尺度
4:1

SHEET
7 of 7

REV
B3