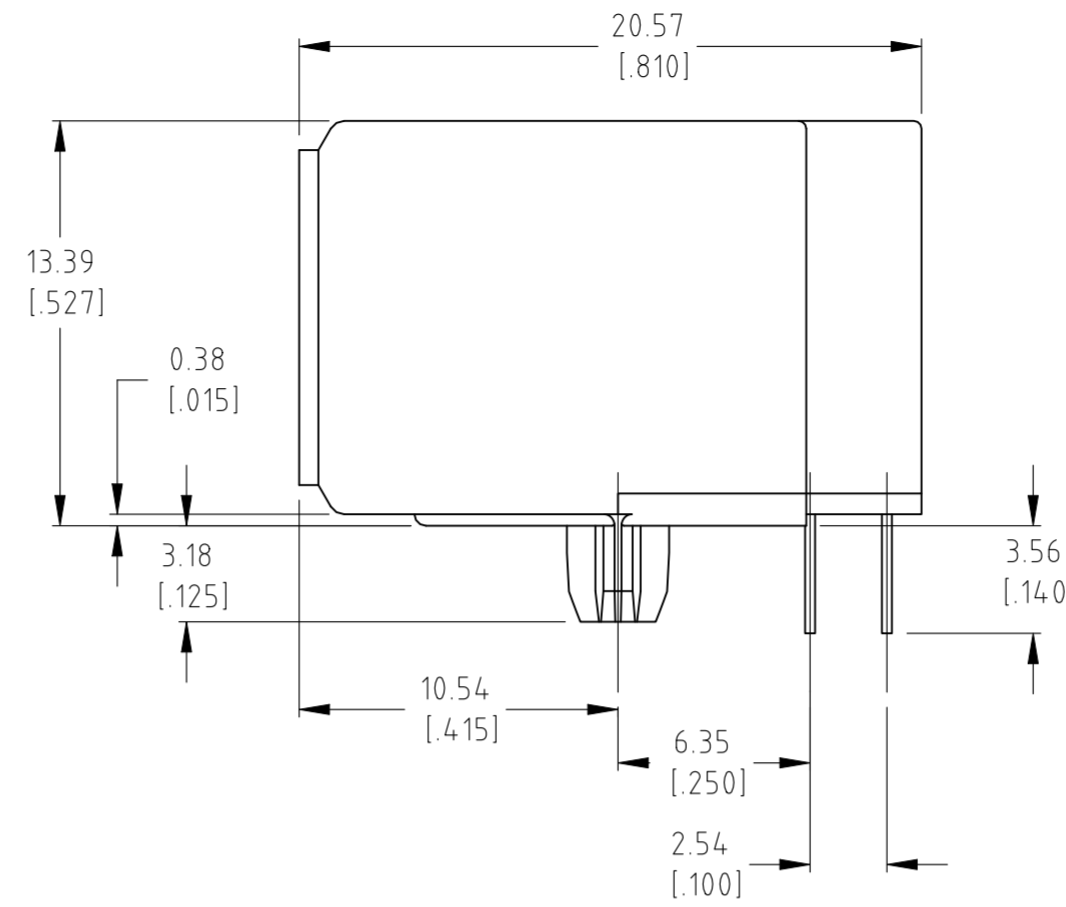
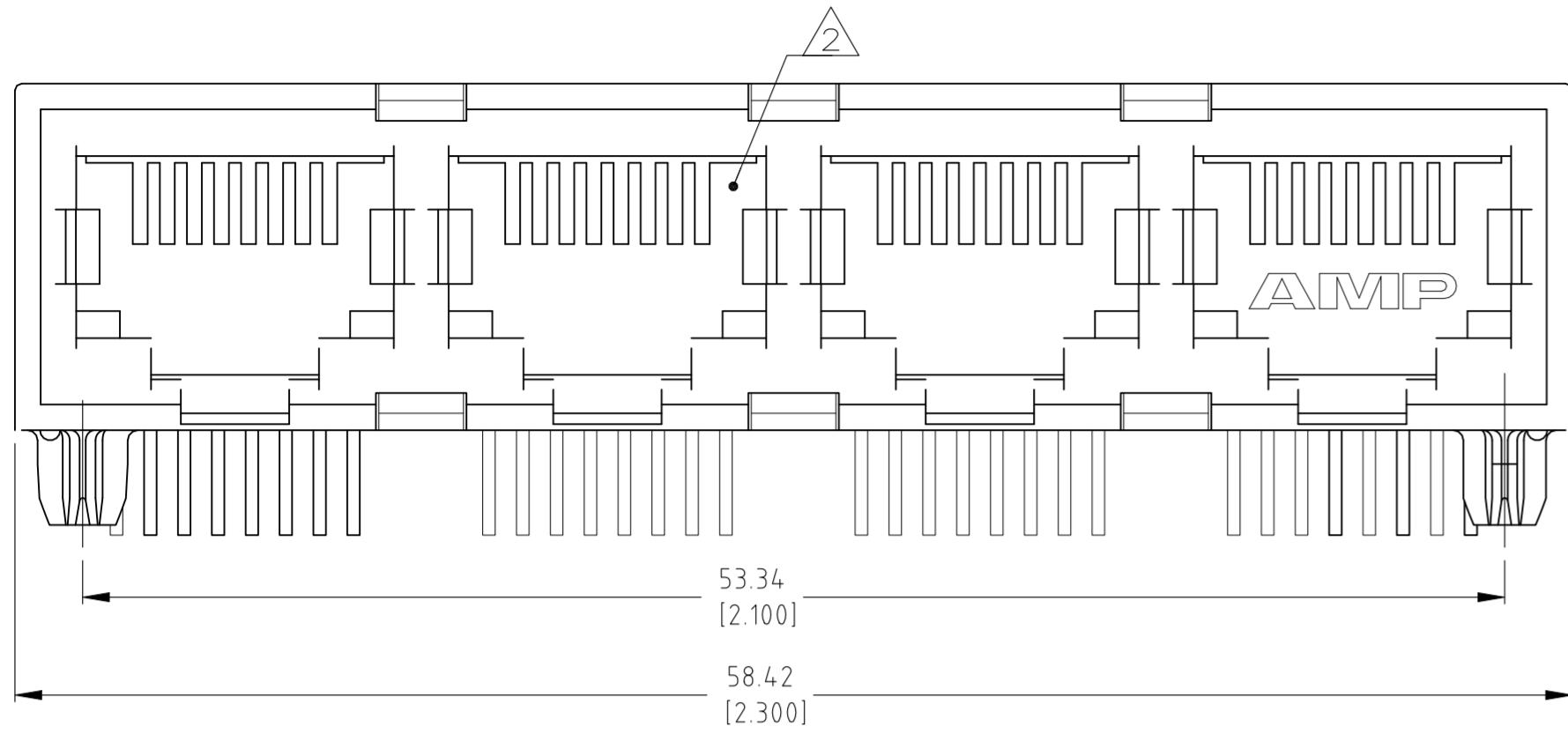


REVISIONS					
P	LTR	DESCRIPTION	DATE	DWN	APVD
A1		ECR-19-014657	13DEC2020	RR	SZ



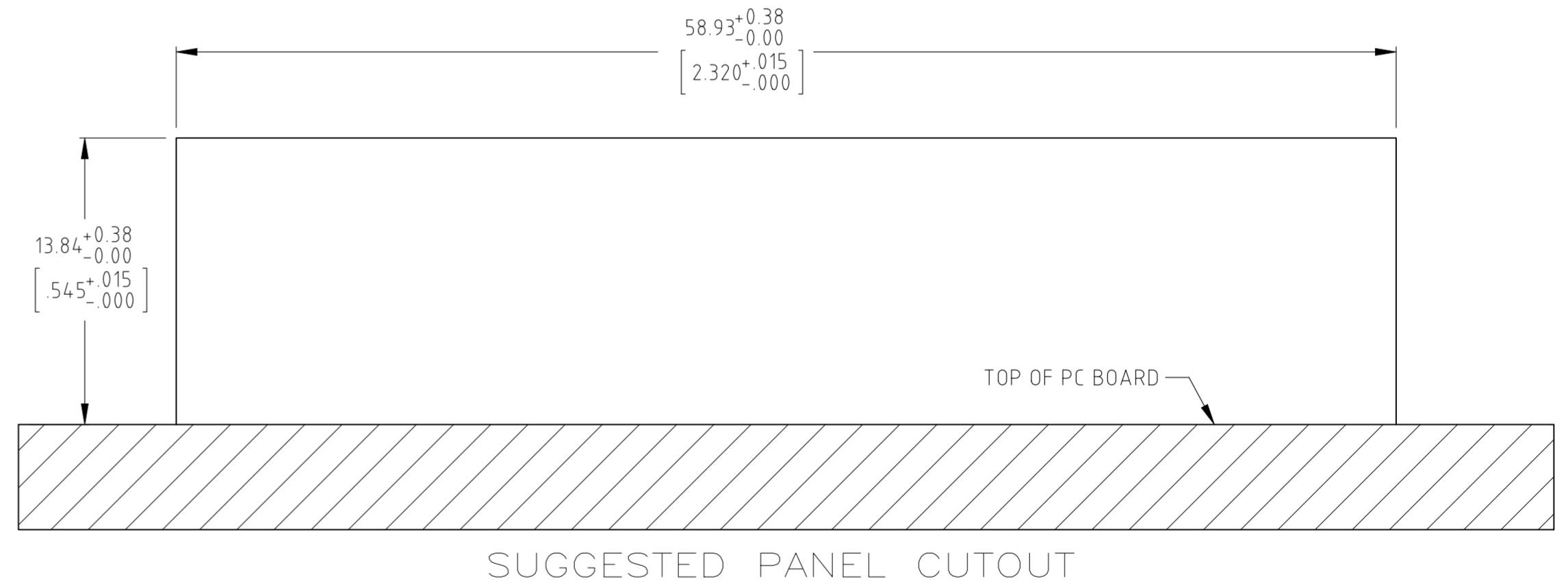
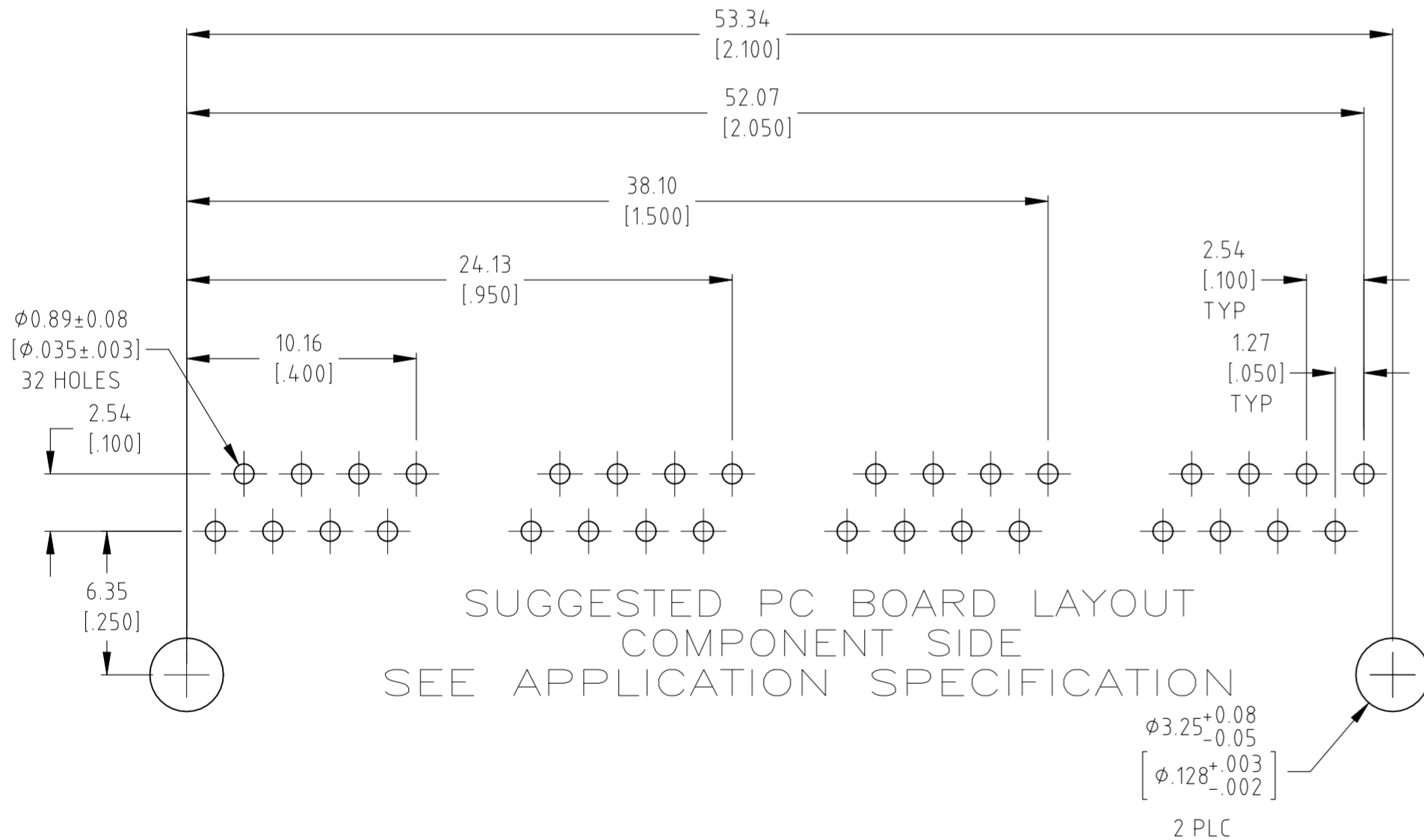
1. MATERIAL: HOUSING – HIGH TEMPERATURE NYLON, BLACK, IR COMPATIBLE, UL 94V-0.  
 TERMINALS – 0.33[.013] THICK PHOS BRONZE PLATED WITH 1.27 $\mu$ m[.000050] MINIMUM HARD GOLD ON LOCALIZED AREA AND 3.81 $\mu$ m [.000150] MINIMUM MATTE TIN IN SOLDER AREA OVER 1.27 $\mu$ m [.000050] MINIMUM NICKEL UNDERPLATE.

2. JACK CAVITY CONFORMS TO FCC RULES AND REGULATIONS, PART 68 SUBPART F.

3. CAUTION: CATEGORY 5 JACK SOLDER TAIL POSITIONS DO NOT FOLLOW SAME NUMBER SEQUENCE AS THAT OF THE TRADITIONAL JACKS.



TRADITIONAL JACK 3 CATEGORY 5 & 5e JACK



1932371

B

A

1932371-1  
 PART NO.

THIS DRAWING IS A CONTROLLED DOCUMENT.		DWN TERRY.YU 19MAY2009	TE Connectivity		
DIMENSIONS: mm [INCHES]		CHK MARTIN.LI 19MAY2009			
TOLERANCES UNLESS OTHERWISE SPECIFIED:		APVD STEVEN.YAO 19MAY2009	NAME		
0 PLC ± -		PRODUCT SPEC	MODULAR JACK ASSEMBLY, 4 PORT, 8 POSITION, RIGHT ANGLE, CATEGORY 5e		
1 PLC ± -		APPLICATION SPEC	SIZE	CAGE CODE	DRAWING NO
2 PLC ± 0.25 [.010]		108-1392	A2	00779	C=1932371
3 PLC ± -		114-2048	RESTRICTED TO		
4 PLC ± -		WEIGHT 0.000000	-		
ANGLES ± -		CUSTOMER DRAWING	SCALE 4:1	SHEET 1 of 1	REV A1
MATERIAL SEE NOTE 1		FINISH SEE NOTE 1			