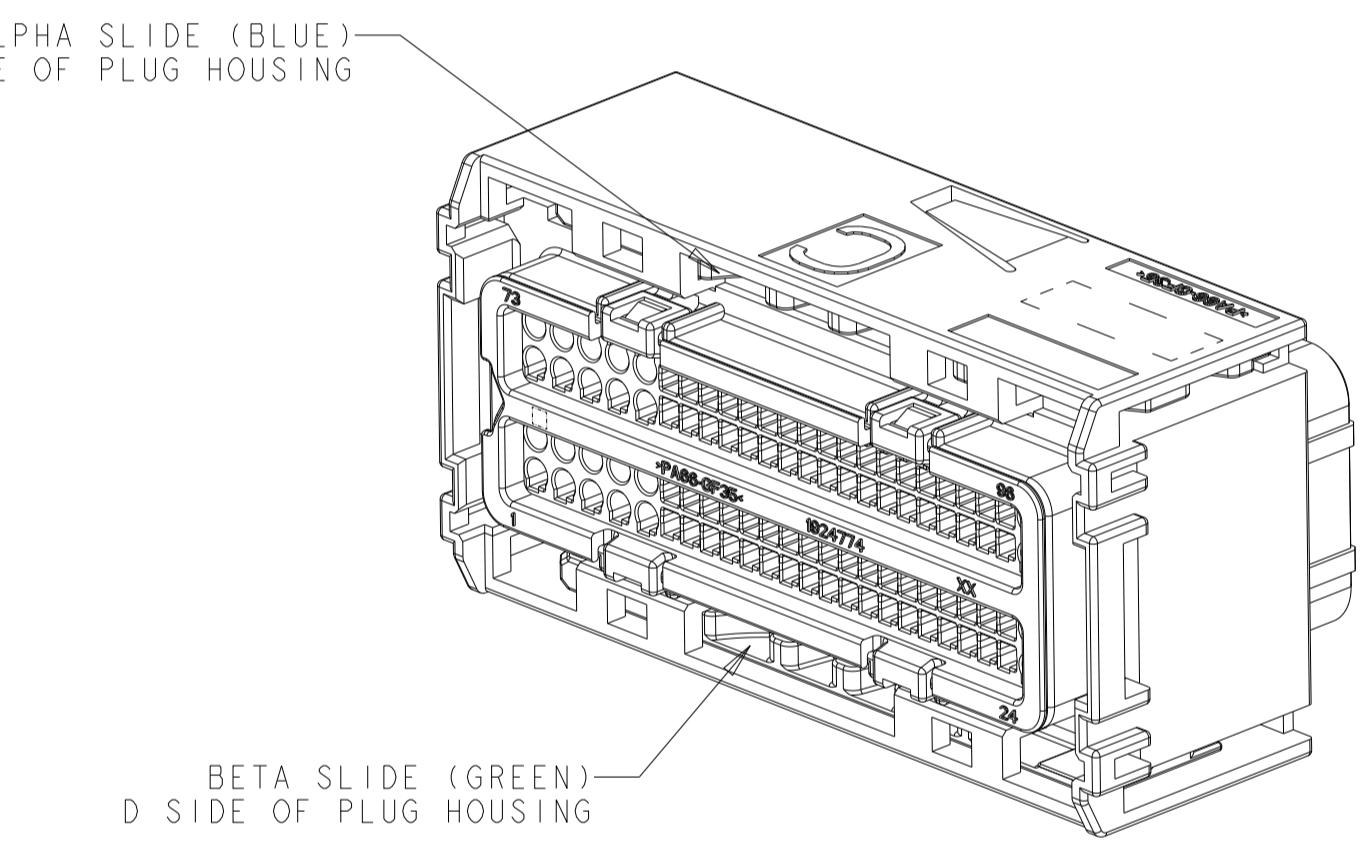
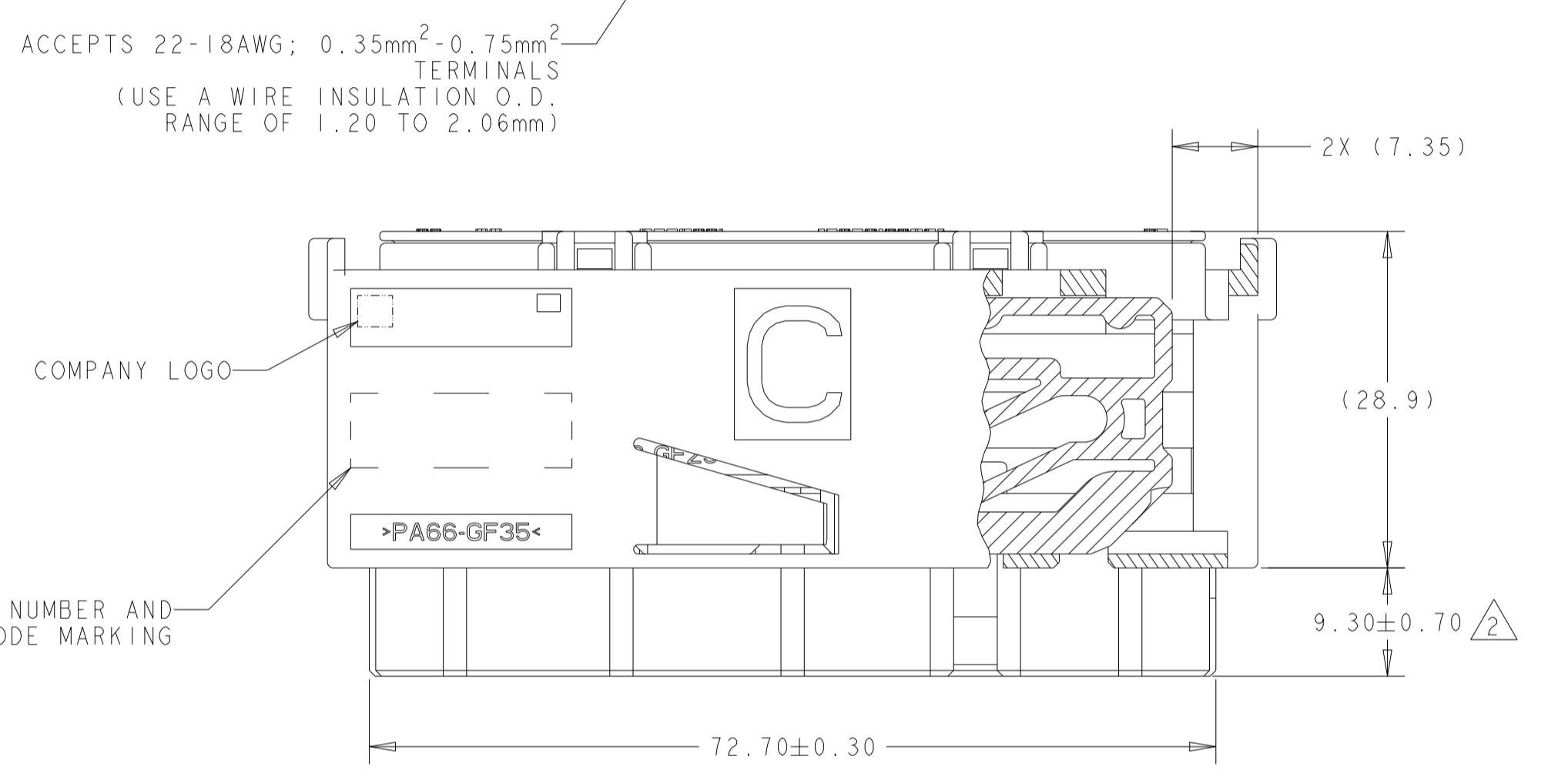
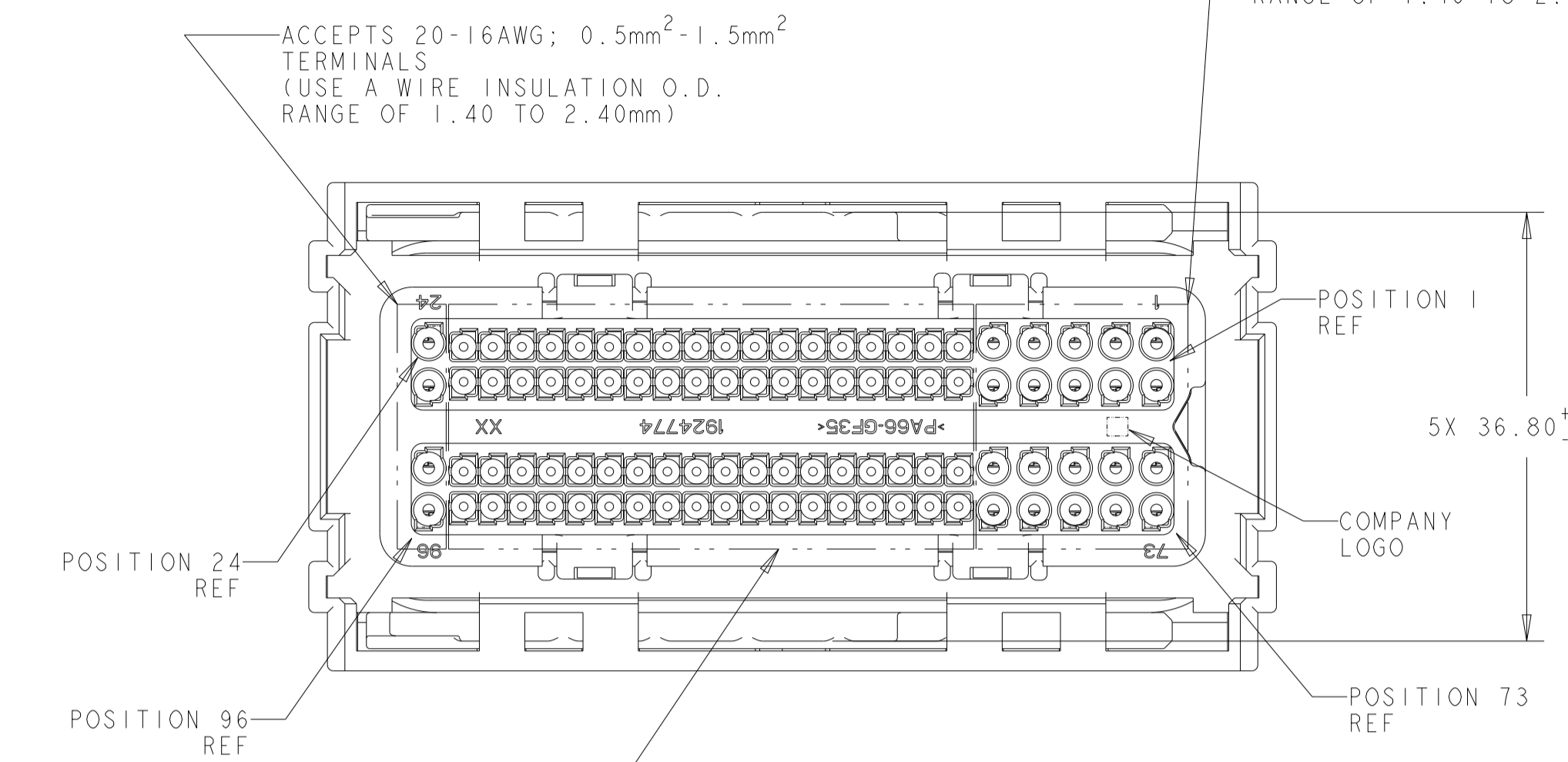
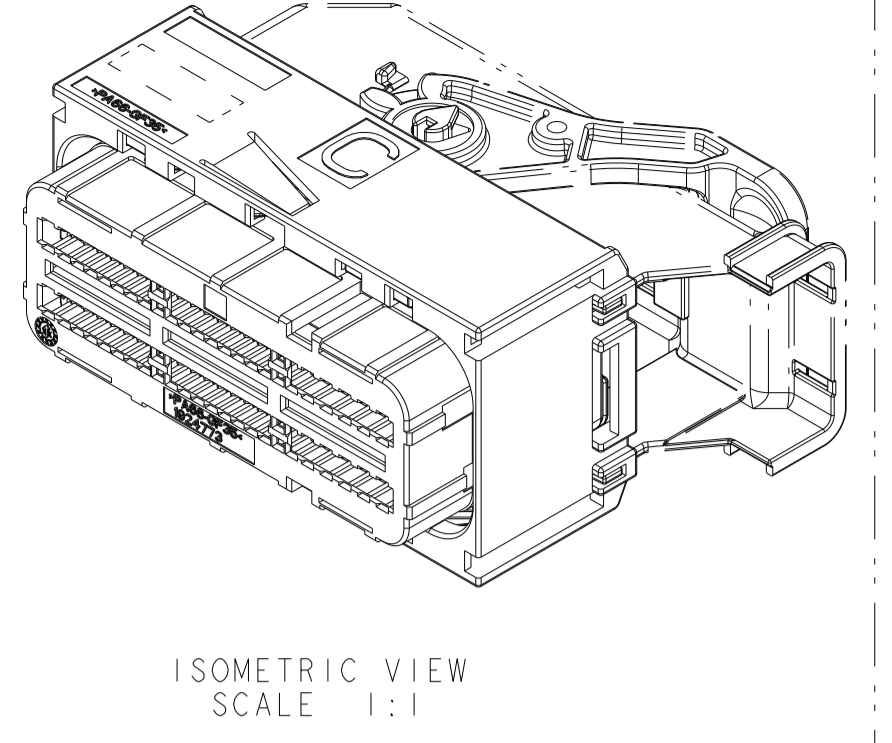
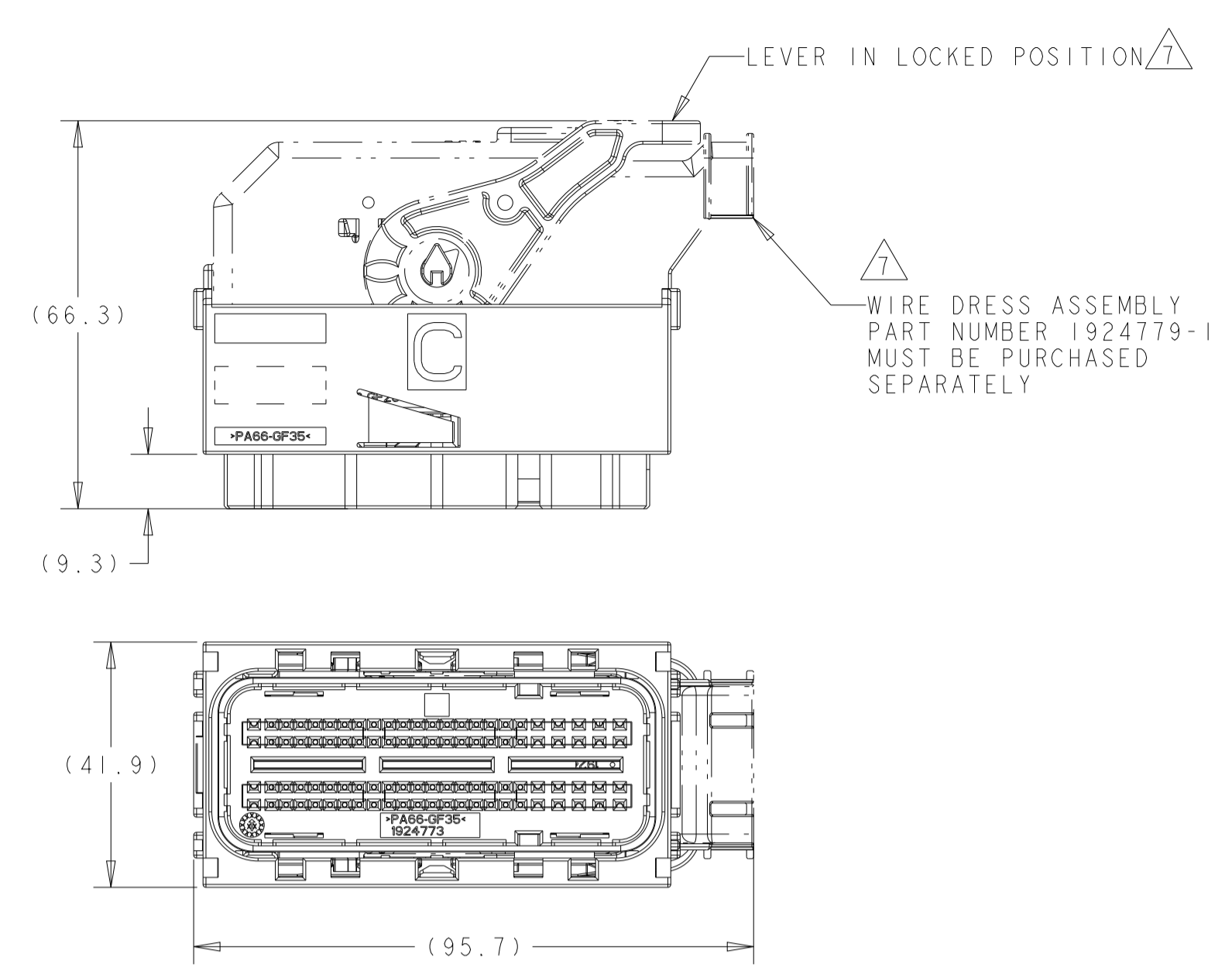
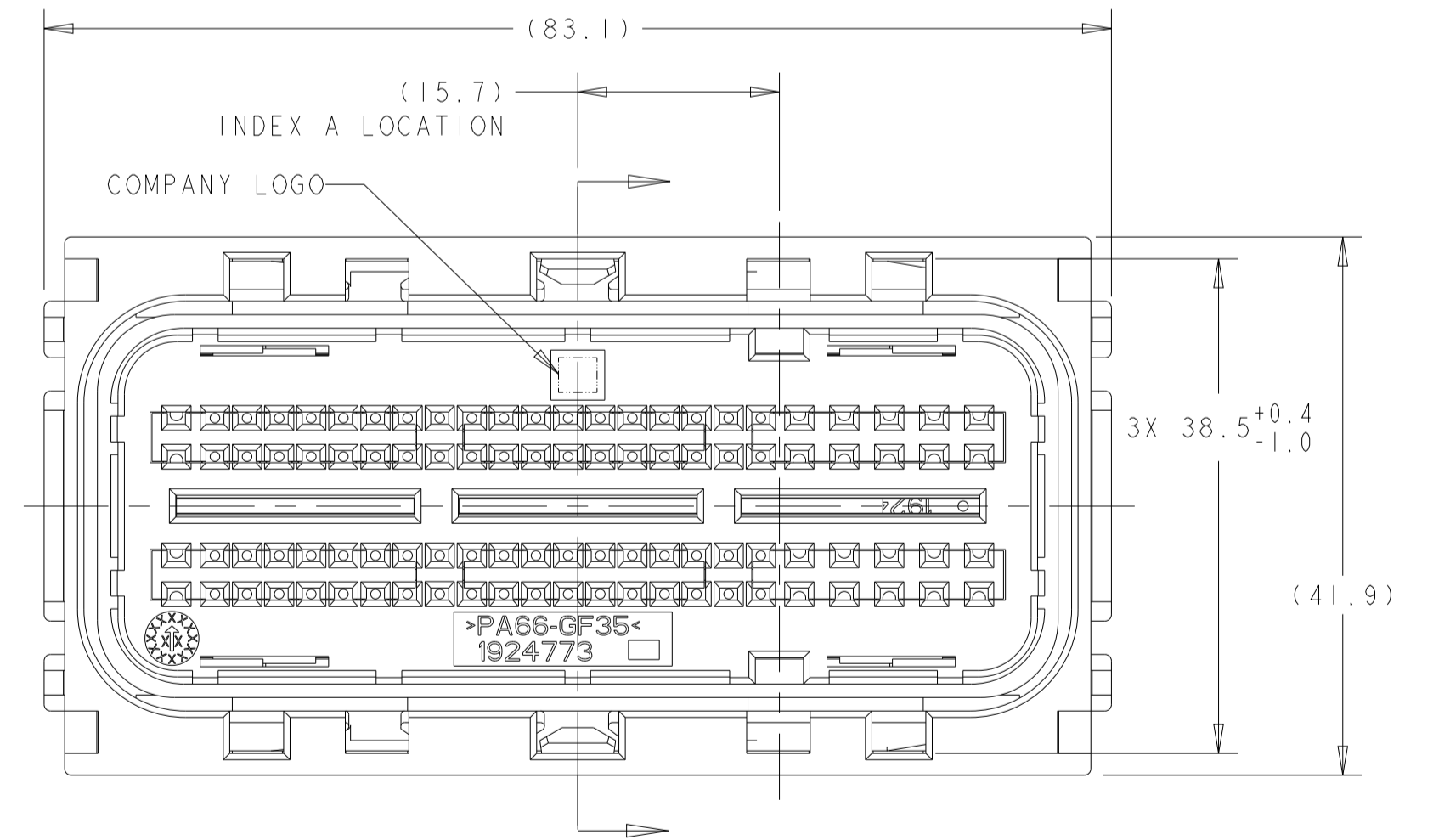
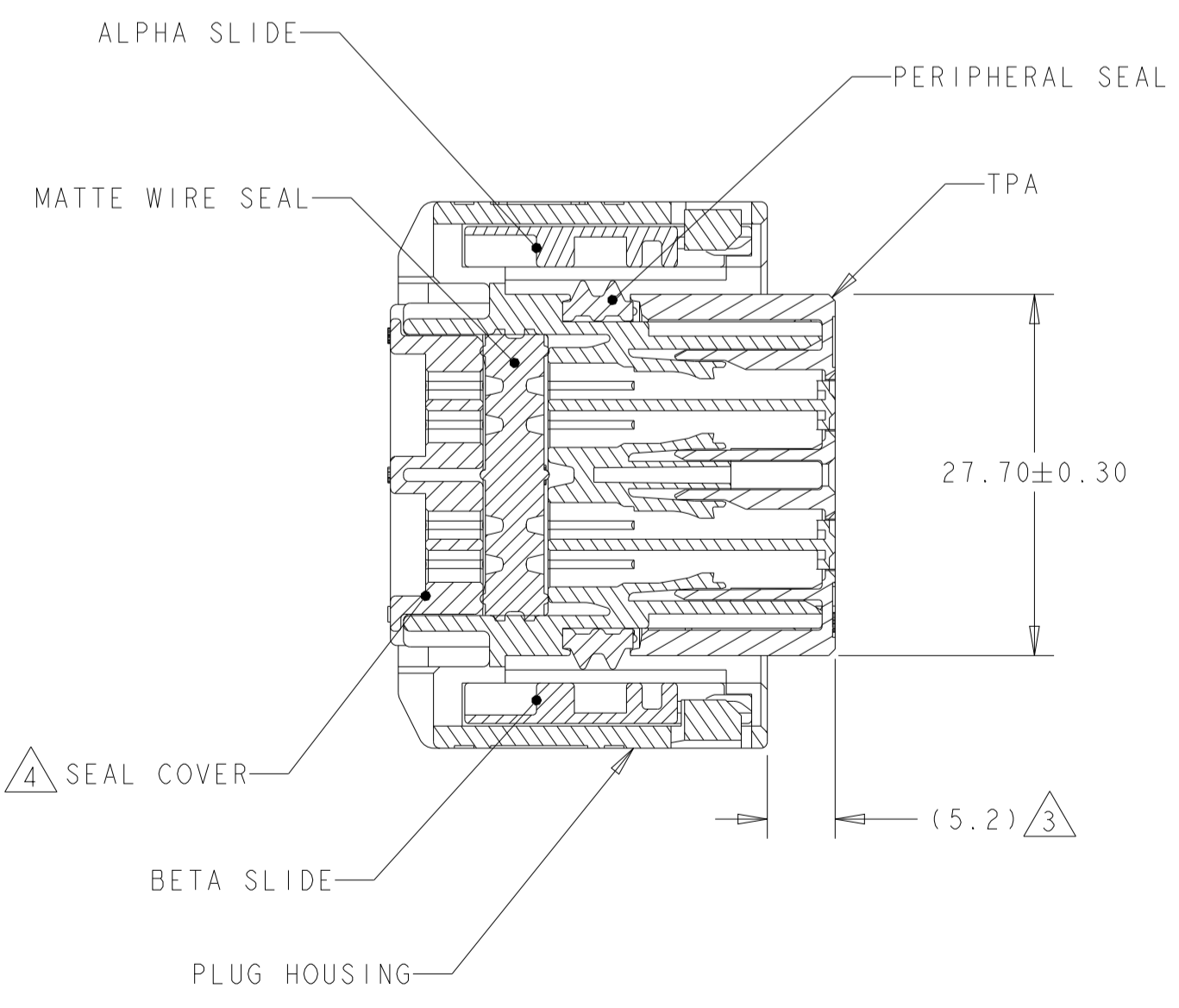


REVISIONS				
P	LTN	DESCRIPTION	DATE	OWN APVD
C8	ECO-17-017519		29NOV2017	KP GK
C9	REVISED PER ECO-18-006949		03MAY2018	JMS GK
C10	REVISED PER ECO-20-011499		14AUG2020	CN HC
C11	REVISED PER ECN-24-278905		08AUG2024	CKM HC



(METHOD FOR IDENTIFYING EXIT ORIENTATION)



9-2359496-9	ALL CLOSED	GRAY	A	9-1924939-9
7-2359496-1	SEE TABLE, SH 3	GRAY	A	7-1924939-1
7-2359496-0	SEE TABLE, SH 3	GRAY	A	7-1924939-0
6-2359496-9	SEE TABLE, SH 3	GRAY	A	6-1924939-9
6-2359496-8	SEE TABLE, SH 3	GRAY	A	6-1924939-8
6-2359496-7	SEE TABLE, SH 3	GRAY	A	6-1924939-7
6-2359496-6	SEE TABLE, SH 2	GRAY	A	6-1924939-6
6-2359496-5	SEE TABLE, SH 2	GRAY	A	6-1924939-5
6-2359496-4	SEE TABLE, SH 2	GRAY	A	6-1924939-4
6-2359496-3	SEE TABLE, SH 2	GRAY	A	6-1924939-3
6-2359496-2	SEE TABLE, SH 2	GRAY	A	6-1924939-2
6-2359496-1	SEE TABLE, SH 2	GRAY	A	6-1924939-1
6-2359496-0	SEE TABLE, SH 2	GRAY	A	6-1924939-0
5-2359496-9	SEE TABLE, SH 2	GRAY	A	5-1924939-9
5-2359496-8	SEE TABLE, SH 2	GRAY	A	5-1924939-8
5-2359496-7	SEE TABLE, SH 2	GRAY	A	5-1924939-7
5-2359496-6	SEE TABLE, SH 2	GRAY	A	5-1924939-6
5-2359496-5	SEE TABLE, SH 2	GRAY	A	5-1924939-5
5-2359496-4	SEE TABLE, SH 2	GRAY	A	5-1924939-4
5-2359496-3	SEE TABLE, SH 2	GRAY	A	5-1924939-3
5-2359496-2	SEE TABLE, SH 2	GRAY	A	5-1924939-2
5-2359496-1	SEE TABLE, SH 2	GRAY	A	5-1924939-1
5-2359496-0	SEE TABLE, SH 2	GRAY	A	5-1924939-0
4-2359496-9	SEE TABLE, SH 2	GRAY	A	4-1924939-9
4-2359496-8	SEE TABLE, SH 2	GRAY	A	4-1924939-8
4-2359496-7	SEE TABLE, SH 2	GRAY	A	4-1924939-7
4-2359496-6	SEE TABLE, SH 2	GRAY	A	4-1924939-6
4-2359496-5	SEE TABLE, SH 2	GRAY	A	4-1924939-5
4-2359496-4	SEE TABLE, SH 2	GRAY	A	4-1924939-4
4-2359496-3	SEE TABLE, SH 2	GRAY	A	4-1924939-3
4-2359496-2	SEE TABLE, SH 2	GRAY	A	4-1924939-2
4-2359496-1	SEE TABLE, SH 2	GRAY	A	4-1924939-1
4-2359496-0	SEE TABLE, SH 2	GRAY	A	4-1924939-0
3-2359496-9	SEE TABLE, SH 2	GRAY	A	3-1924939-9
3-2359496-8	SEE TABLE, SH 2	GRAY	A	3-1924939-8
3-2359496-7	SEE TABLE, SH 2	GRAY	A	3-1924939-7
3-2359496-6	SEE TABLE, SH 2	GRAY	A	3-1924939-6
3-2359496-5	SEE TABLE, SH 2	GRAY	A	3-1924939-5
3-2359496-4	SEE TABLE, SH 2	GRAY	A	3-1924939-4
3-2359496-3	SEE TABLE, SH 2	GRAY	A	3-1924939-3
3-2359496-2	SEE TABLE, SH 2	GRAY	A	3-1924939-2
3-2359496-1	SEE TABLE, SH 2	GRAY	A	3-1924939-1
3-2359496-0	SEE TABLE, SH 2	GRAY	A	3-1924939-0
2-2359496-9	SEE TABLE, SH 2	GRAY	A	2-1924939-9
2-2359496-8	SEE TABLE, SH 2	GRAY	A	2-1924939-8
2-2359496-7	SEE TABLE, SH 2	GRAY	A	2-1924939-7
2-2359496-6	SEE TABLE, SH 2	GRAY	A	2-1924939-6
2-2359496-5	SEE TABLE, SH 2	GRAY	A	2-1924939-5
2-2359496-4	SEE TABLE, SH 2	GRAY	A	2-1924939-4
2-2359496-3	SEE TABLE, SH 2	GRAY	A	2-1924939-3
2-2359496-2	SEE TABLE, SH 2	GRAY	A	2-1924939-2
2-2359496-1	SEE TABLE, SH 2	GRAY	A	2-1924939-1
2-2359496-0	SEE TABLE, SH 2	GRAY	A	2-1924939-0
1-2359496-9	SEE TABLE, SH 2	GRAY	A	1-1924939-9
1-2359496-8	SEE TABLE, SH 2	GRAY	A	1-1924939-8
1-2359496-7	SEE TABLE, SH 2	GRAY	A	1-1924939-7
1-2359496-6	SEE TABLE, SH 2	GRAY	A	1-1924939-6
1-2359496-5	SEE TABLE, SH 2	GRAY	A	1-1924939-5
1-2359496-4	SEE TABLE, SH 2	GRAY	A	1-1924939-4
1-2359496-3	SEE TABLE, SH 2	GRAY	A	1-1924939-3
1-2359496-2	SEE TABLE, SH 2	GRAY	A	1-1924939-2
1-2359496-1	SEE TABLE, SH 2	GRAY	A	1-1924939-1
1-2359496-0	SEE TABLE, SH 2	GRAY	A	1-1924939-0
2359496-9	SEE TABLE, SH 2	GRAY	A	1924939-9
2359496-8	SEE TABLE, SH 2	GRAY	A	1924939-8
2359496-7	SEE TABLE, SH 2	GRAY	A	1924939-7
2359496-6	SEE TABLE, SH 2	GRAY	A	1924939-6
2359496-5	SEE TABLE, SH 2	GRAY	A	1924939-5
2359496-4	SEE TABLE, SH 2	GRAY	A	1924939-4
2359496-3	SEE TABLE, SH 2	GRAY	A	1924939-3
2359496-2	SEE TABLE, SH 2	GRAY	A	1924939-2
2359496-1	ALL OPEN	GRAY	A	1924939-1
2359496-0	BLOCKED CIRCUITS	TPA COLOR	INDEX REF	PART NUMBER

SUPERSEDED BY:
X-2359496-X

- 1. PLUG HOUSING AND SEAL COVER: NYLON 6/6, BLACK.
TPA: NYLON 6/6, COLOR - SEE TABLE.
MATTE WIRE SEAL: SILICONE, LIGHT BLUE.
PERIPHERAL SEAL: SILICONE, GREEN.
ALPHA SLIDE: NYLON 6/6, BLUE.
BETA SLIDE: NYLON 6/6, GREEN.
- 2. TPA SHOWN IN PRE-LATCHED, AS SHIPPED, POSITION.
- 3. TPA SHOWN IN CLOSED POSITION.
- 4. SEE TABLE ON SHEET 2 AND 3 FOR SEAL COVER PIN OUT CONFIGURATION.
- 5. PLUG ASSEMBLY MATES WITH TE CONNECTIVITY INTERFACE DRAWING 1924771_INT, POLARIZATION A.
- 6. PLUG ASSEMBLY WILL ACCEPT THE FOLLOWING GET TERMINAL PART NUMBERS: 1393364-1 (GOLD 22AWG; 0.35mm²)
1393365-1 (GOLD 18-20AWG; 0.75mm²-0.5mm²)
1924878-1 (TIN/SILVER 22AWG; 0.35mm²)
1924879-1 (TIN/SILVER 18-20AWG; 0.75mm²-0.5mm²)
1924782-1 (TIN/SILVER 1.0mm²)
1924880-1 (TIN/SILVER 16AWG; 1.5mm²)
- 7. WIRE DRESS ASSEMBLY MUST BE INSTALLED ONTO PLUG ASSEMBLY WITH LEVER IN LOCKED POSITION.
- 8. APPLICATION SPEC'S: 408-10229, 408-10230
- 9. NOTE DELETED.
- 10. FORCE TO SEAT TPA COMPONENT FROM PRE-SET TO LOCKED (FULLY LOADED W/ TERMINALS) TO BE 83N MAX.
- 11. FORCE TO MOVE TPA FROM FULLY LOCKED TO PRE-SET TO BE 115N MAX. FLAT BLADE SCREWDRIVER SUGGESTED FOR REMOVAL OF TPA.

THIS DRAWING IS A CONTROLLED DOCUMENT. DIMENSIONS: mm. TOLERANCES UNLESS OTHERWISE SPECIFIED: 0 PLC ±, 1 PLC ±0.25, 2 PLC ±, 3 PLC ±, 4 PLC ±, ANGLES FINISH. MATERIAL: PA66-GF35. WEIGHT: -. CUSTOMER DRAWING.

APPROVED: DJ HARDY, AJ VASBINDER, AJ VASBINDER. DATE: 29NOV2007, 03DEC2007, 03DEC2007. NAME: PLUG ASSEMBLY, 96 POSITION, INDEX A - RIGHT EXIT, SEALED, GPEC II. SIZE: A1. CAGE CODE: 100779. DRAWING NO: 1924939. SHEET 1 OF 3. SCALE: 2:1.

STE TE Connectivity

REVISIONS				
P	LTN	DESCRIPTION	DATE	APPV
-		SEE SHEET 1	-	-

ALL CLOSED	1	2	3	4	5	6	7	8	9	10	11	12	13	14	15	16	17	18	19	20	21	22	23	24	25	26	27	28	29	30	31	32	33	34	35	36	37	38	39	40	41	42	43	44	45	46	47	48	49	50	51	52	53	54	55	56	57	58	59	60	61	62	63	64	65	66	67	68	69	70	71	72	73	74	75	76	77	78	79	80	81	82	83	84	85	86	87	88	89	90	91	92	93	94	95	96	9	1924939	9
KL 2022/3.2L MOD ECM	1	2	3	4	5	6	7	8	9	10	11	12	13	14	15	16	17	18	19	20	21	22	24	25	26	27	28	29	30	31	32	34	35	36	37	38	39	40	41	43	45	47	49	50	51	56	58	60	61	62	63	64	65	66	81	83	84	85	86	89	90	95	7-1924939-1																																				
JL	1	2	3	4	5	6	7	8	9	10	11	12	13	14	15	16	18	19	20	25	26	27	29	30	31	34	35	36	37	38	39	40	41	42	43	45	47	49	50	51	58	59	60	62	63	64	65	78	81	84	85	87	89	90	95	7-1924939-0																																											
JL	1	2	3	4	5	6	7	8	9	10	11	12	13	14	15	16	18	19	20	24	25	26	27	28	29	30	31	32	34	35	36	37	38	39	40	41	42	43	45	47	49	50	51	55	56	58	59	60	62	63	64	65	78	81	84	85	87	89	90	95	6-1924939-9																																						
KL DASH	1	2	3	4	5	6	7	8	9	10	11	12	13	14	15	16	17	18	19	20	21	22	24	25	26	27	28	29	30	31	32	34	35	36	37	38	39	40	41	43	45	47	48	49	50	51	54	56	58	59	60	61	62	63	64	65	66	70	81	83	84	85	86	88	89	90	95	6-1924939-8																															
KL DASH	1	2	3	4	5	6	7	8	9	10	11	12	13	14	15	16	17	18	19	20	21	22	24	25	26	27	28	29	30	31	32	34	35	36	37	38	39	40	41	43	45	47	49	50	51	56	58	59	60	61	62	63	64	65	66	81	83	84	85	86	89	90	95	6-1924939-7																																			
DT RAM 2019	1	2	3	4	5	6	7	8	9	10	11	12	13	14	15	16	17	18	19	20	21	22	25	26	27	29	30	31	34	35	36	37	38	39	40	41	43	45	47	49	50	51	58	59	61	62	63	64	65	66	71	78	83	84	85	86	87	89	90	95	6-1924939-6																																						
DT RAM 2019	1	2	3	4	5	6	7	8	10	11	12	13	14	15	16	17	18	19	20	21	22	25	26	27	30	31	34	35	36	37	38	39	40	41	43	45	47	49	50	51	58	59	61	62	63	64	65	66	71	78	83	84	85	86	87	89	90	95	6-1924939-5																																								
DASH FEMALE WK-WD 2018	1	2	3	4	5	6	7	8	9	10	11	12	13	14	15	16	17	18	19	20	21	25	26	27	28	30	31	32	34	35	36	37	38	39	40	41	45	46	47	49	50	51	56	62	63	64	65	66	71	77	78	84	85	86	87	89	90	95	6-1924939-4																																								
2018 LA HDLP & DASH WIRE HARNESS	1	2	3	4	5	6	7	8	9	10	11	12	13	14	15	16	18	19	20	21	24	25	26	27	28	29	30	31	32	34	35	36	37	38	39	40	41	45	46	47	50	51	56	62	63	64	65	66	71	77	78	84	85	86	87	89	90	6-1924939-3																																									
2018 LA/ID HDLP & DASH WIRE HARNESS	1	2	3	4	5	6	7	8	9	10	11	12	13	14	15	16	17	18	19	20	21	24	25	26	27	28	29	30	31	32	34	35	36	37	38	39	40	41	45	46	47	50	51	56	62	63	64	65	66	71	77	78	84	85	86	87	89	90	6-1924939-2																																								
JL DASH	1	2	3	4	5	6	7	8	9	10	11	12	13	14	15	16	17	18	19	20	21	24	25	26	27	29	30	31	34	35	36	37	38	39	40	41	43	45	47	49	50	51	55	58	59	60	62	63	64	65	66	78	81	84	85	86	87	89	90	95	6-1924939-1																																						
JL DASH	1	2	3	4	5	6	7	8	9	10	11	12	13	14	15	16	17	18	19	20	24	25	26	27	29	30	31	32	34	35	36	37	38	39	40	41	43	45	47	49	50	51	55	56	58	59	60	62	63	64	65	78	81	84	85	87	89	90	95	6-1924939-0																																							
JL DASH	1	2	3	4	5	6	7	8	9	10	11	12	13	14	15	16	17	18	19	20	21	24	25	26	27	29	30	31	32	34	35	36	37	38	39	40	41	43	45	47	49	50	51	55	56	58	59	60	62	63	64	65	66	78	81	84	85	86	87	89	90	95	5-1924939-9																																				
DASH HARNESS WK-WD	1	2	3	4	5	6	7	8	9	10	11	12	13	14	15	16	17	18	19	20	21	22	24	25	26	27	28	29	30	31	32	34	35	36	37	38	39	40	41	43	45	47	49	50	51	55	56	58	59	60	61	62	63	64	65	66	71	78	83	84	85	86	87	89	90	95	5-1924939-8																																
DASH HARNESS WK-WD	1	2	3	4	5	6	7	8	9	10	11	12	13	14	15	16	17	18	19	20	21	22	25	26	27	28	30	31	32	34	35	36	37	38	39	40	41	43	45	46	47	49	50	51	55	56	58	59	60	61	62	63	64	65	66	71	77	83	84	85	86	87	89	90	95	5-1924939-7																																	
DASH HARNESS WK-WD	1	2	3	4	5	6	7	8	9	10	11	12	13	14	15	16	17	18	19	20	21	22	25	26	27	28	30	31	32	34	35	36	37	38	39	40	41	43	45	47	49	50	51	55	56	58	59	60	61	62	63	64	65	66	71	78	83	84	85	86	87	89	90	95	5-1924939-6																																		
DASH HARNESS WK-WD	1	2	3	4	5	6	7	8	9	10	11	12	13	14	15	16	17	18	19	20	21	22	25	26	27	28	30	31	32	34	35	36	37	38	39	40	41	43	45	46	47	49	50	51	55	56	58	59	60	61	62	63	64	65	66	71	77	78	83	84	85	86	87	89	90	95	5-1924939-5																																

VEHICLE PLATFORM/APPLICATION | 1 | 2 | 3 | 4 | 5 | 6 | 7 | 8 | 9 | 10 | 11 | 12 | 13 | 14 | 15 | 16 | 17 | 18 | 19 | 20 | 21 | 22 | 23 | 24 | 25 | 26 | 27 | 28 | 29 | 30 | 31 | 32 | 33 | 34 | 35 | 36 | 37 | 38 | 39 | 40 | 41 | 42 | 43 | 44 | 45 | 46 | 47 | 48 | 49 | 50 | 51 | 52 | 53 | 54 | 55 | 56 | 57 | 58 | 59 | 60 | 61 | 62 | 63 | 64 | 65 | 66 | 67 | 68 | 69 | 70 | 71 | 72 | 73 | 74 | 75 | 76 | 77 | 78 | 79 | 80 | 81 | 82 | 83 | 84 | 85 | 86 | 87 | 88 | 89 | 90 | 91 | 92 | 93 | 94 | 95 | 96 |

CAVITIES WITH A NUMERIC SYMBOL INDICATE CLOSED TERMINAL HOLE POSITIONS
 BLANK CAVITIES INDICATE OPEN TERMINAL HOLE POSITIONS

PIN OUT CONFIGURATION TABLE

PART NUMBER

THIS DRAWING IS A CONTROLLED DOCUMENT.		DWN DJ HARDY 29NOV2007		TE Connectivity	
DIMENSIONS: mm		CHK AJ VASBINDER 03DEC2007			
TOLERANCES UNLESS OTHERWISE SPECIFIED:		APVD AJ VASBINDER 03DEC2007		NAME PLUG ASSEMBLY, 96 POSITION, INDEX A - RIGHT EXIT, SEALED, GPEC II	
0 PLC ±		PRODUCT SPEC		SIZE CAGE CODE DRAWING NO	
1 PLC ±0.25		APPLICATION SPEC		RESTRICTED TO	
2 PLC ±		WEIGHT		A100779C=1924939	
3 PLC ±		CUSTOMER DRAWING		SCALE 2:1 SHEET 3 OF 3	
4 PLC ±				REV C	
ANGLES					
FINISH					