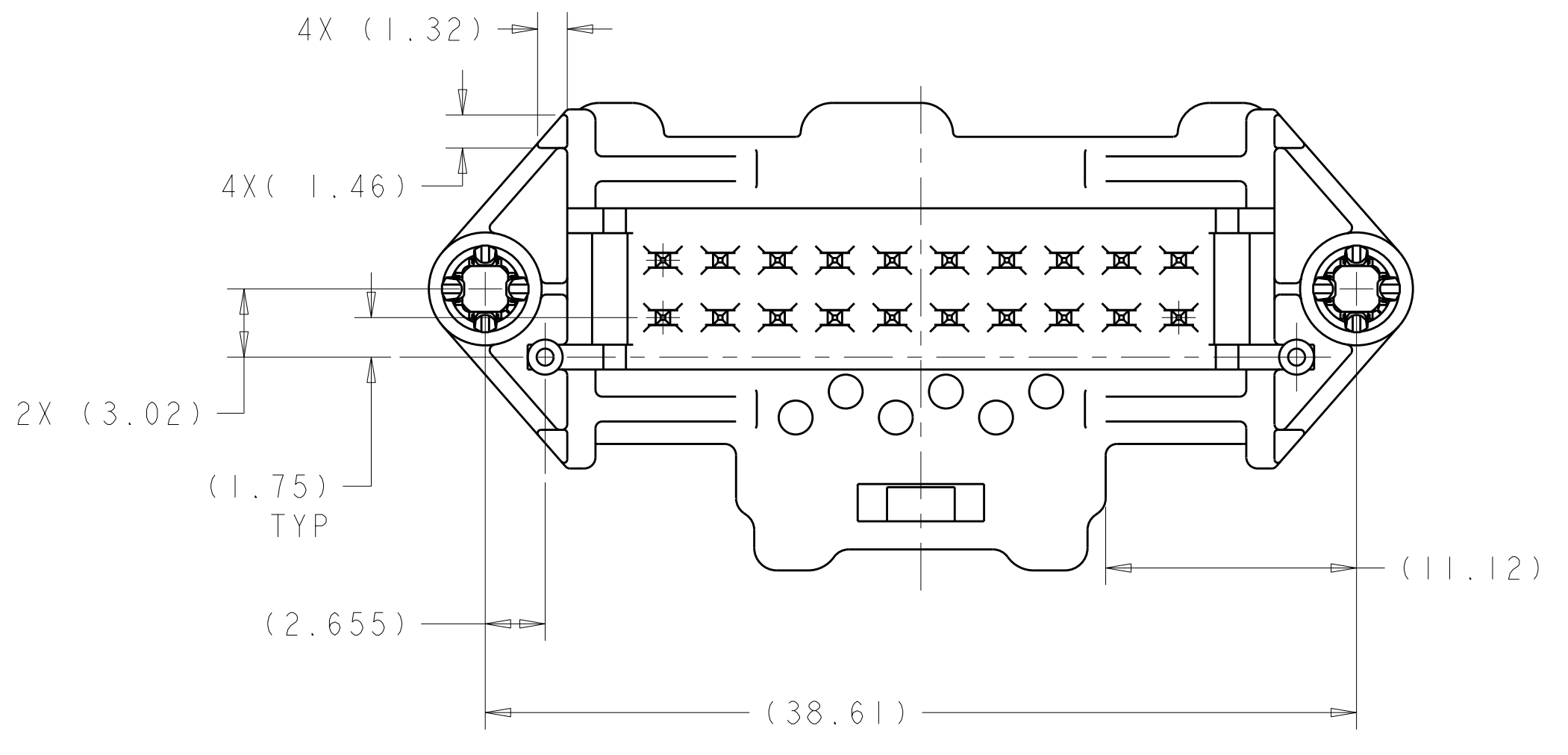
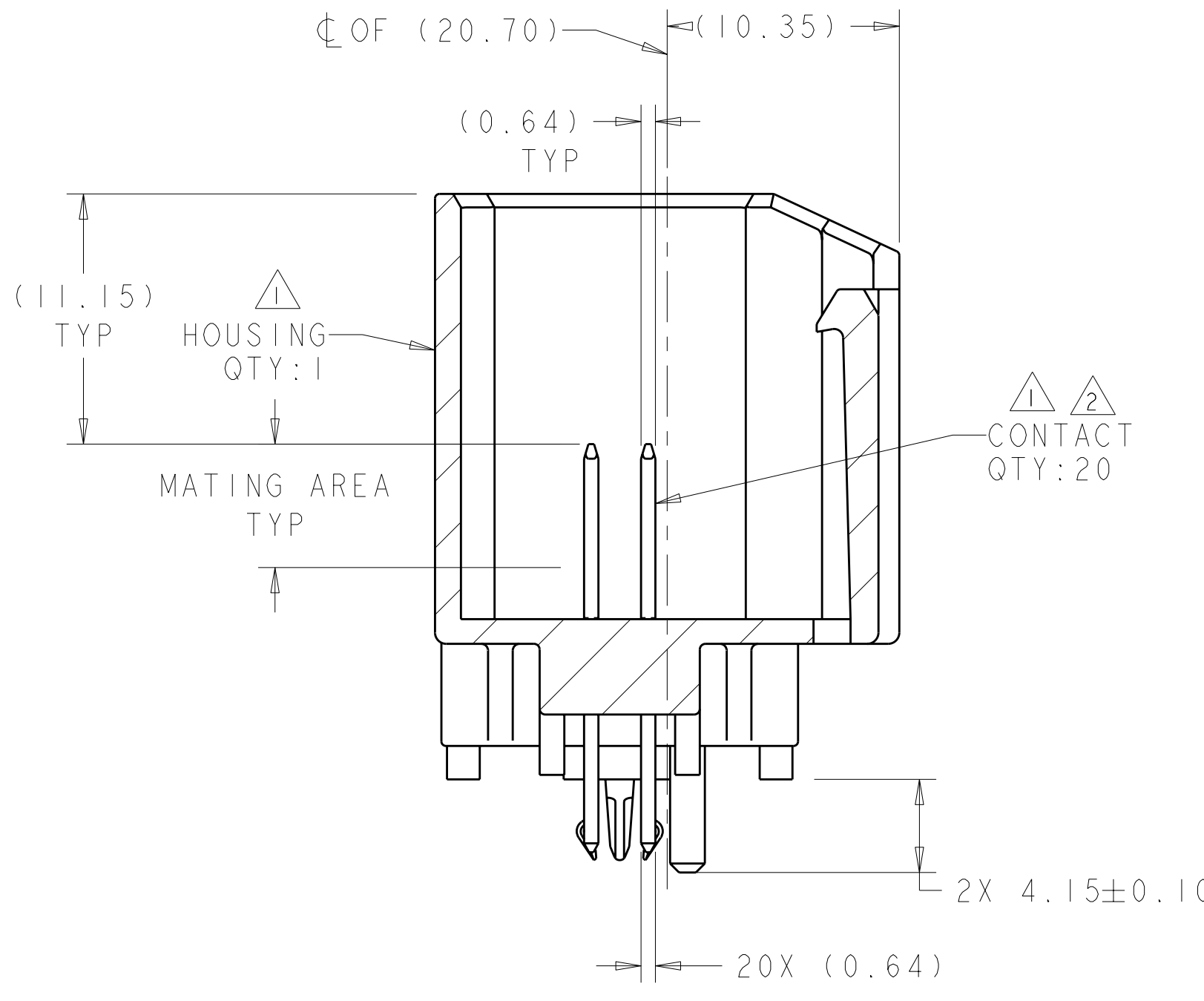
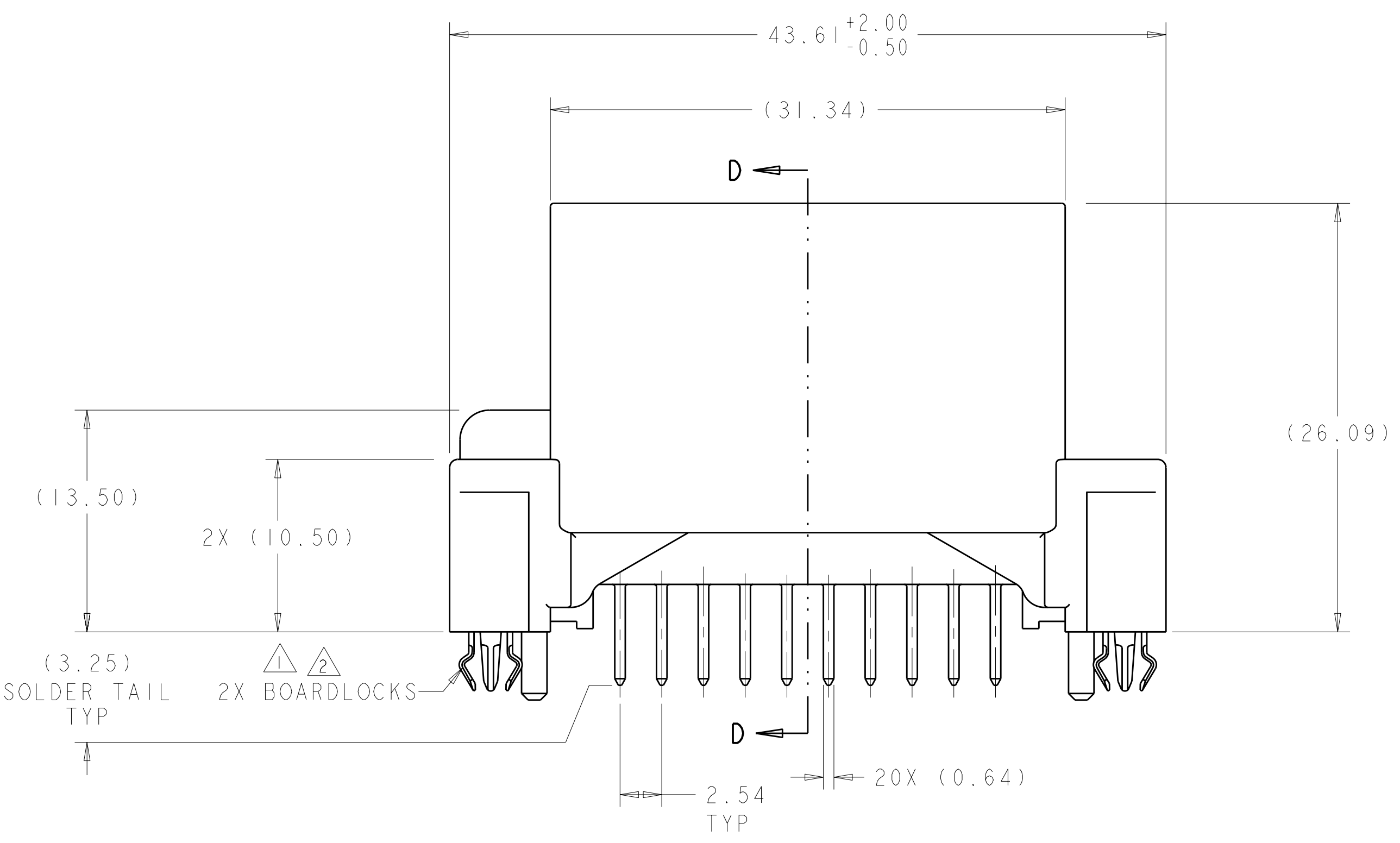
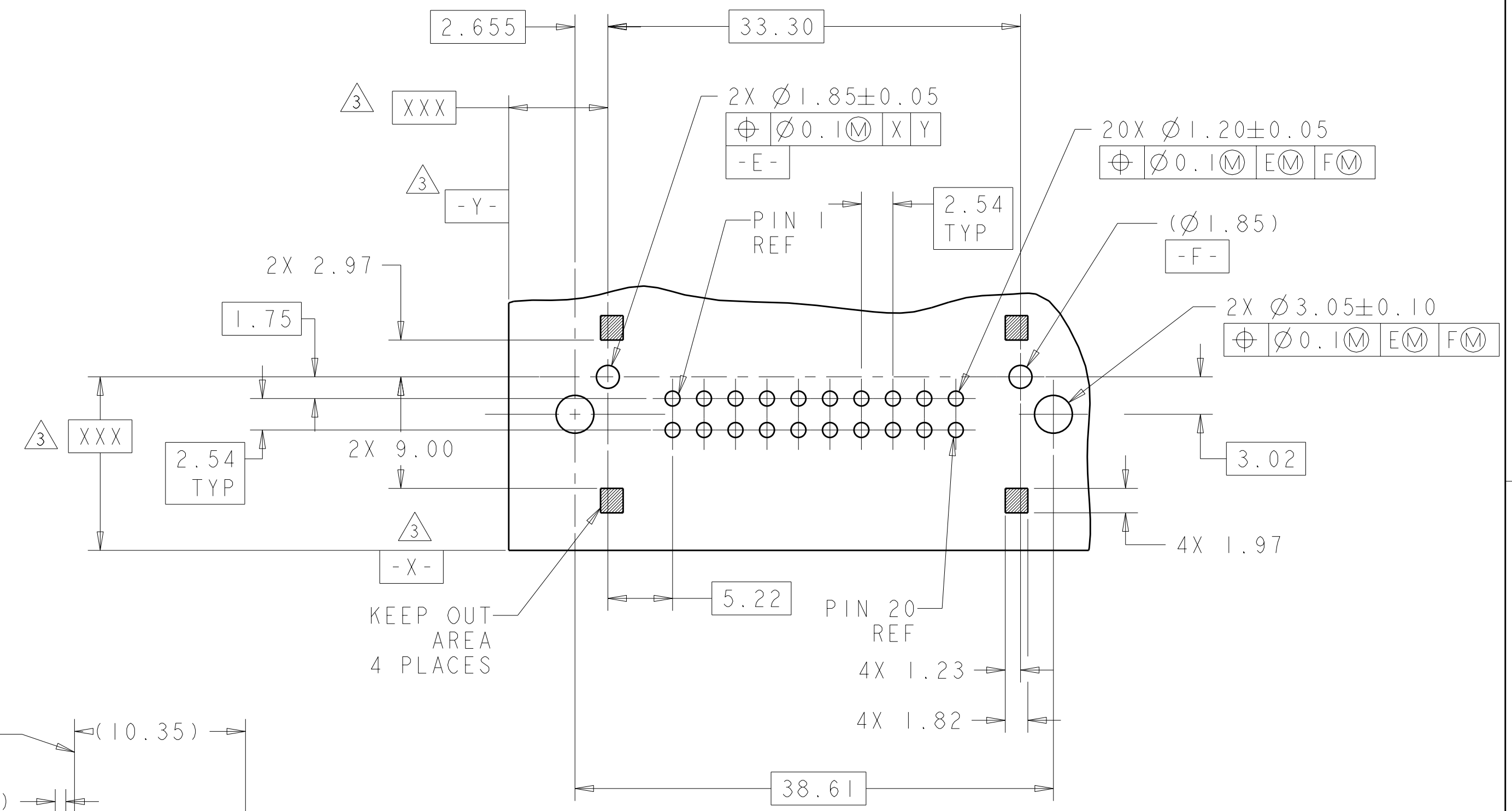
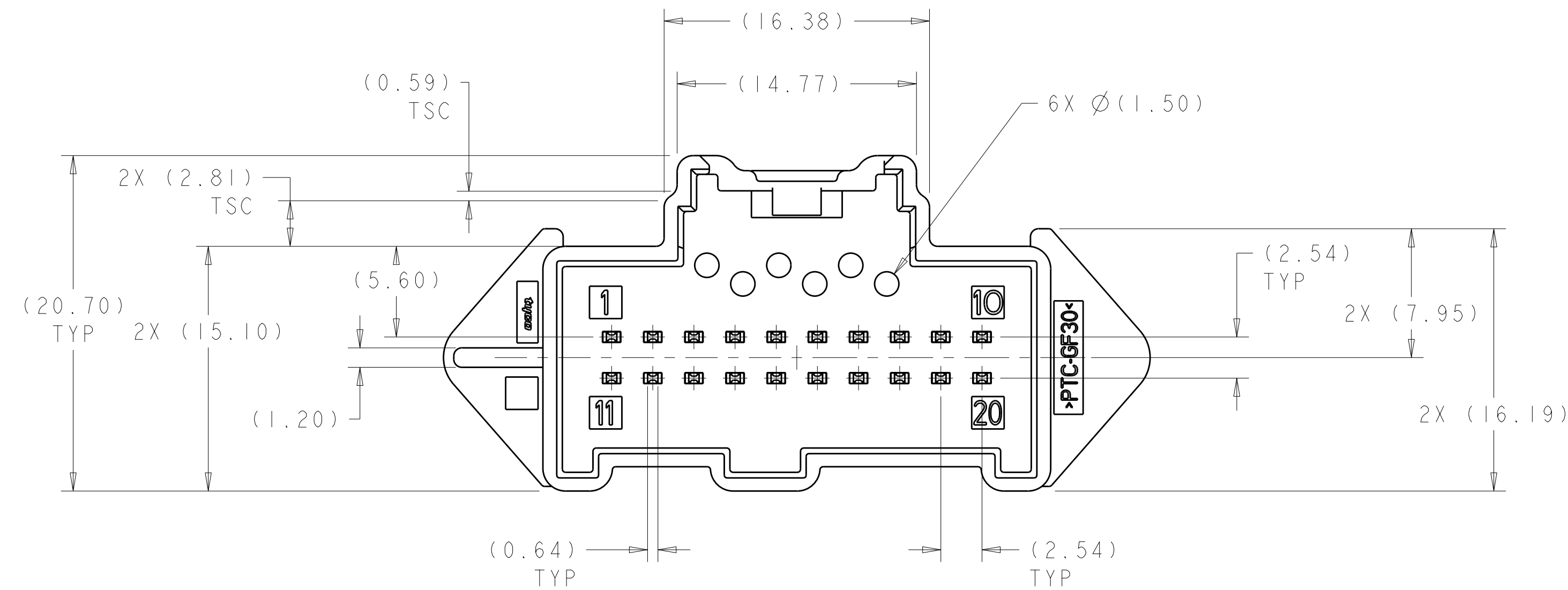


LOC	DIST	REV	DATE	BY	APPD
IN	00	A	02MAR2008	HM	DF



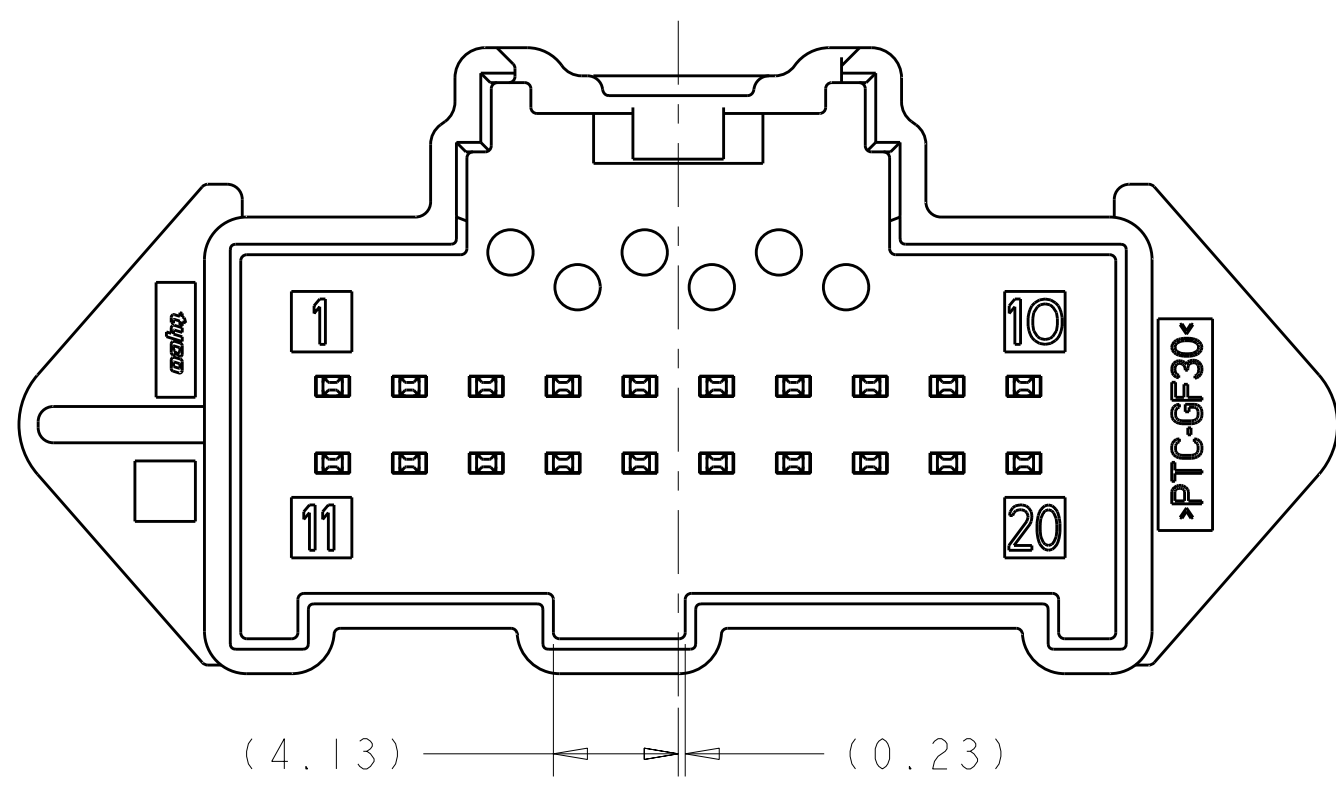
SECTION D-D

- △ HOUSING: PCT, COLOR - BLACK
CONTACTS & BOARDLOCKS: COPPER ALLOY
- △ CONTACT: 1.5µm MIN TIN IN MATING AREA AND 2.5µm MIN TIN IN SOLDER TAIL ALL OVER 2.00µm MIN NICKEL
BOARDLOCKS: 3.8µm MIN TIN OVER 1.27µm MIN NICKEL
- △ DATUMS AND BASIC DIMENSIONS ESTABLISHED BY THE CUSTOMER
- △ THIS PRODUCT HAS NOT COMPLETED VALIDATION TESTING
- △ PRELIMINARY - NOT FOR PRODUCTION

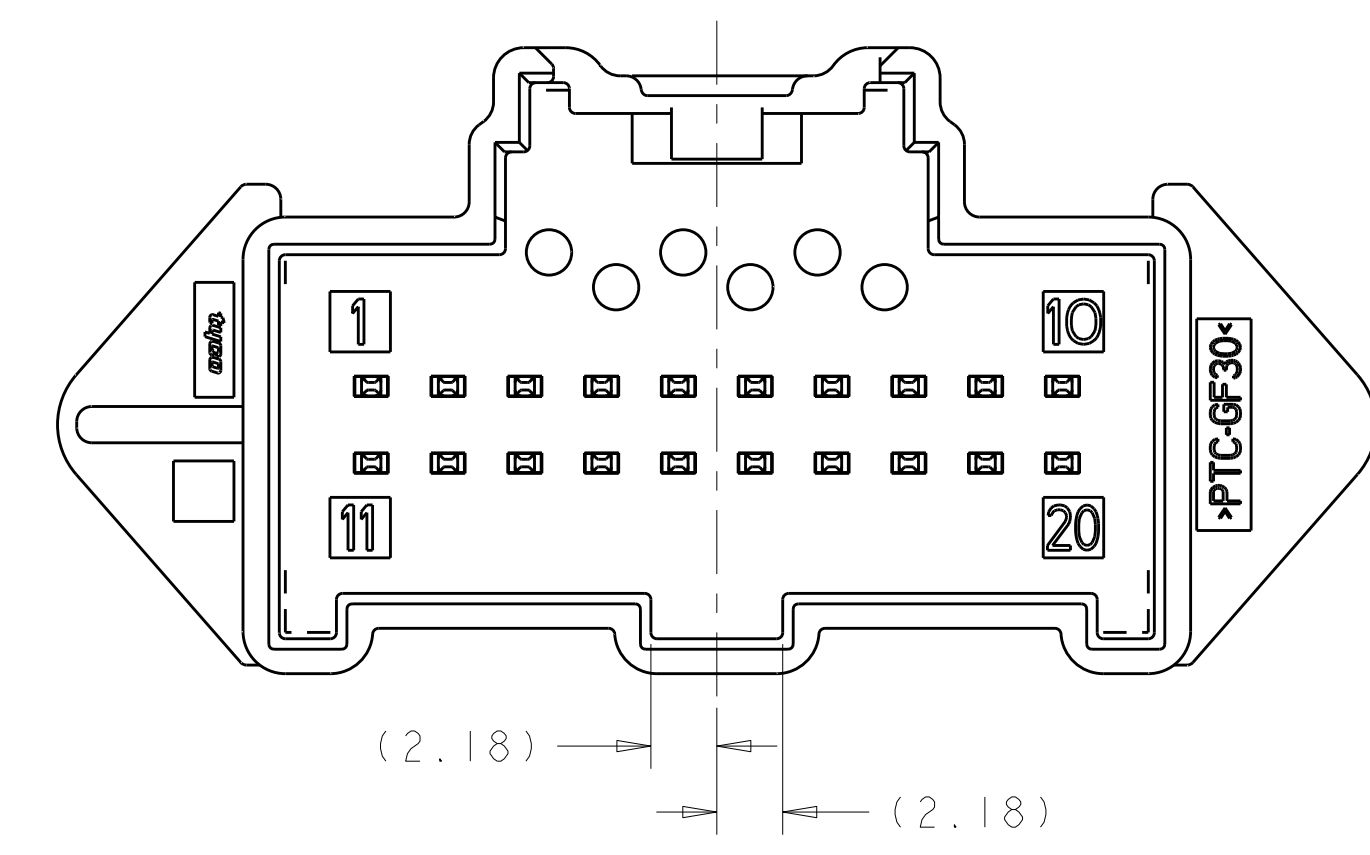
KEYING CODE	PART NUMBER
△ 4 5	KEYING CODE "F" 1924121-6
△ 4 5	KEYING CODE "E" 1924121-5
△ 4 5	KEYING CODE "D" 1924121-4
△ 4 5	KEYING CODE "C" 1924121-3
△ 4 5	KEYING CODE "B" 1924121-2
△ 4 5	KEYING CODE "A" 1924121-1

DIMENSIONS: mm TOLERANCES UNLESS OTHERWISE SPECIFIED: 9 PLC ± 1 PLC ± 2 PLC ± 3 PLC ± 4 PLC ± ANGLES ±		DWN: H. MOLL 02FEB2006 CHK: D. FRY 02FEB2006 APVD: D. FRY 02FEB2006	Tyco Electronics Harrisburg, PA 17105-3608
MATERIAL: △ FINISH: △		NAME: HEADER ASSY, 2x10, UNSEALED, VERTICAL, THRU-HOLE, WITH BOARDLOCKS, USCAR SIZE: CAGE CODE DRAWING NO: A1100779C=1924121 WEIGHT: - CUSTOMER DRAWING	RESTRICTED TO: - SCALE: 3:1 SHEET 1 OF 2 REV A

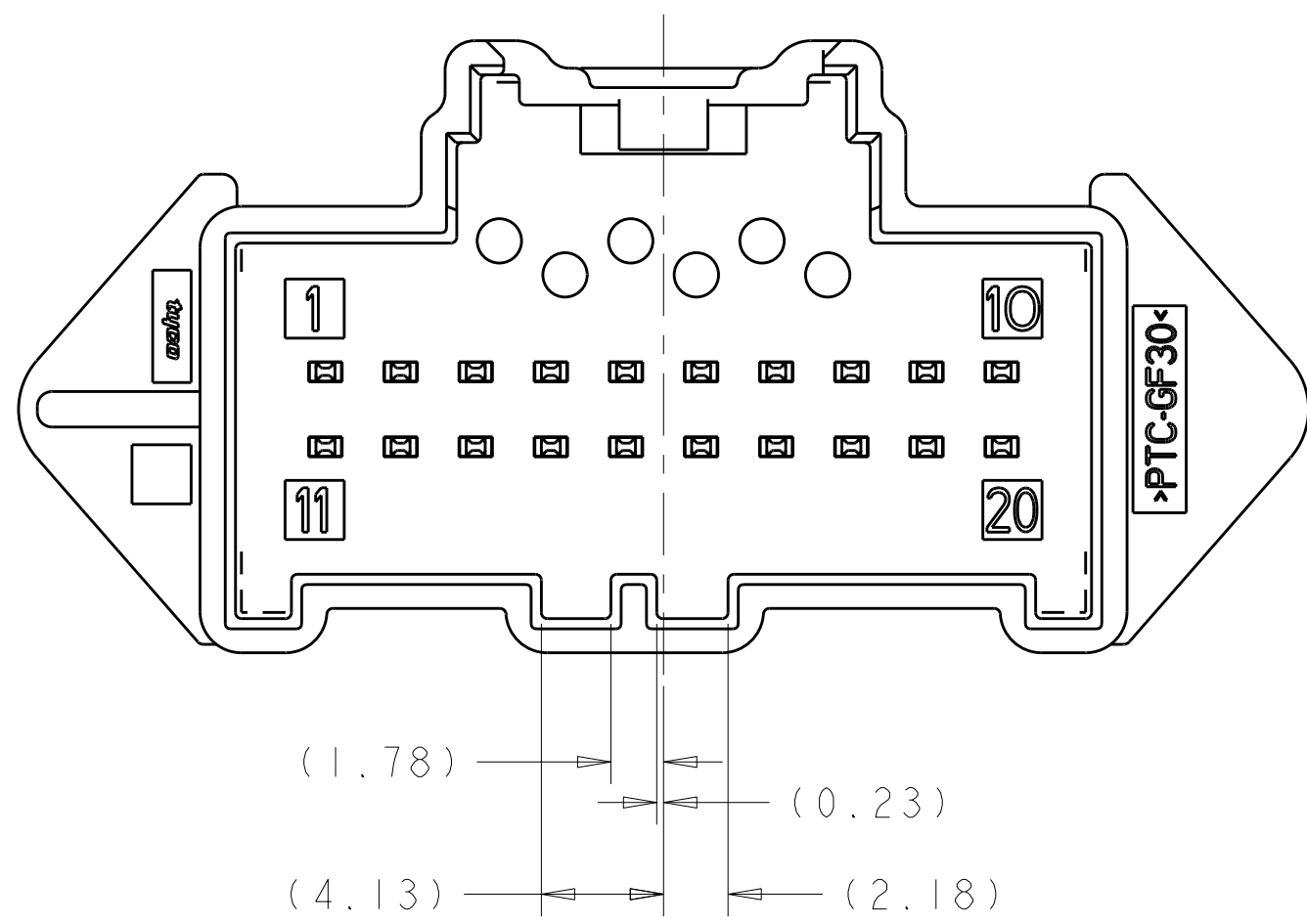
LOC	DIST	REV	DATE	BY	APPD
1N	00				
		DESCRIPTION		DATE	DWN
		SEE SHEET 1		-	-



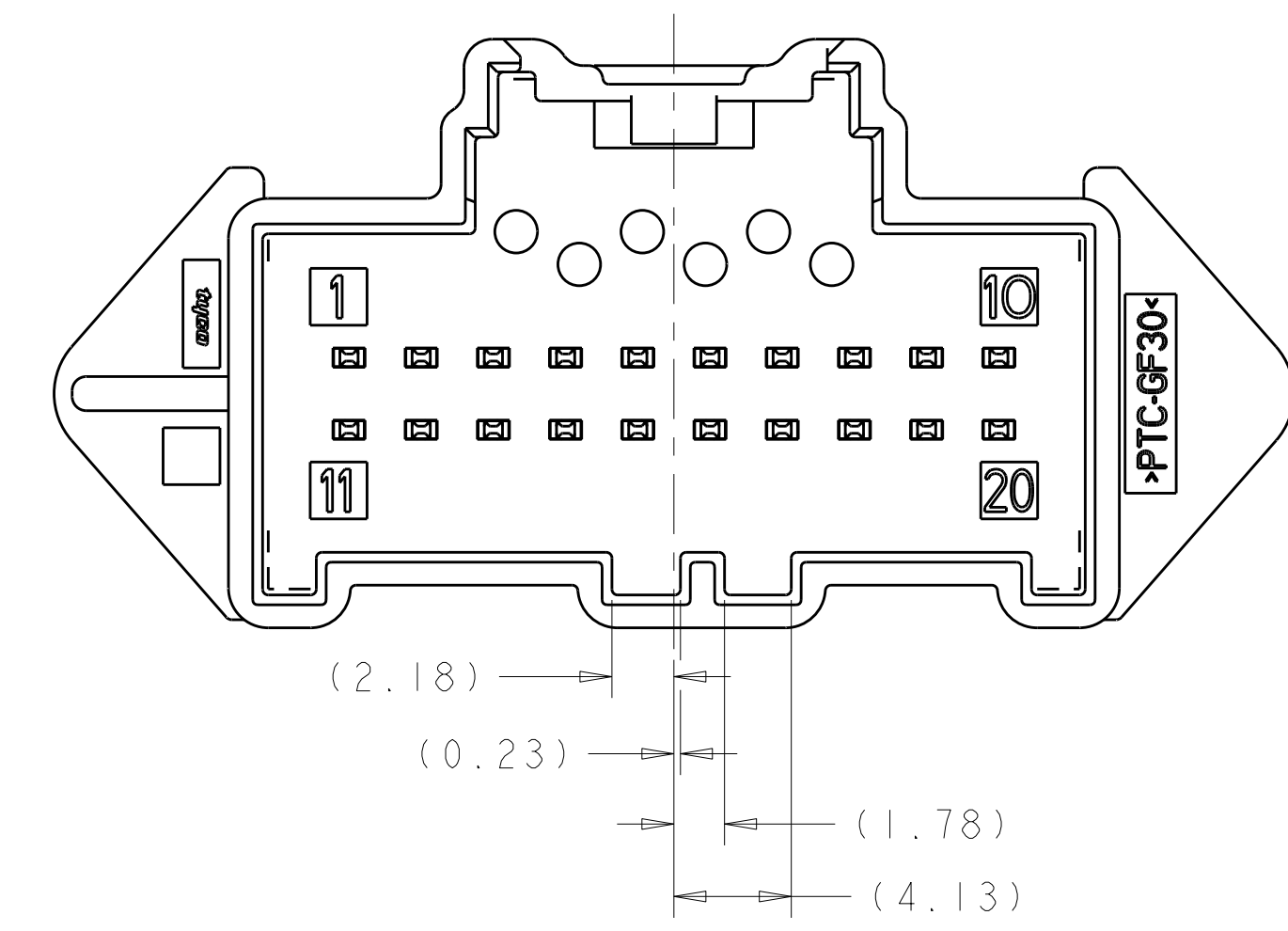
KEYING CODE "A"
SCALE 4:1



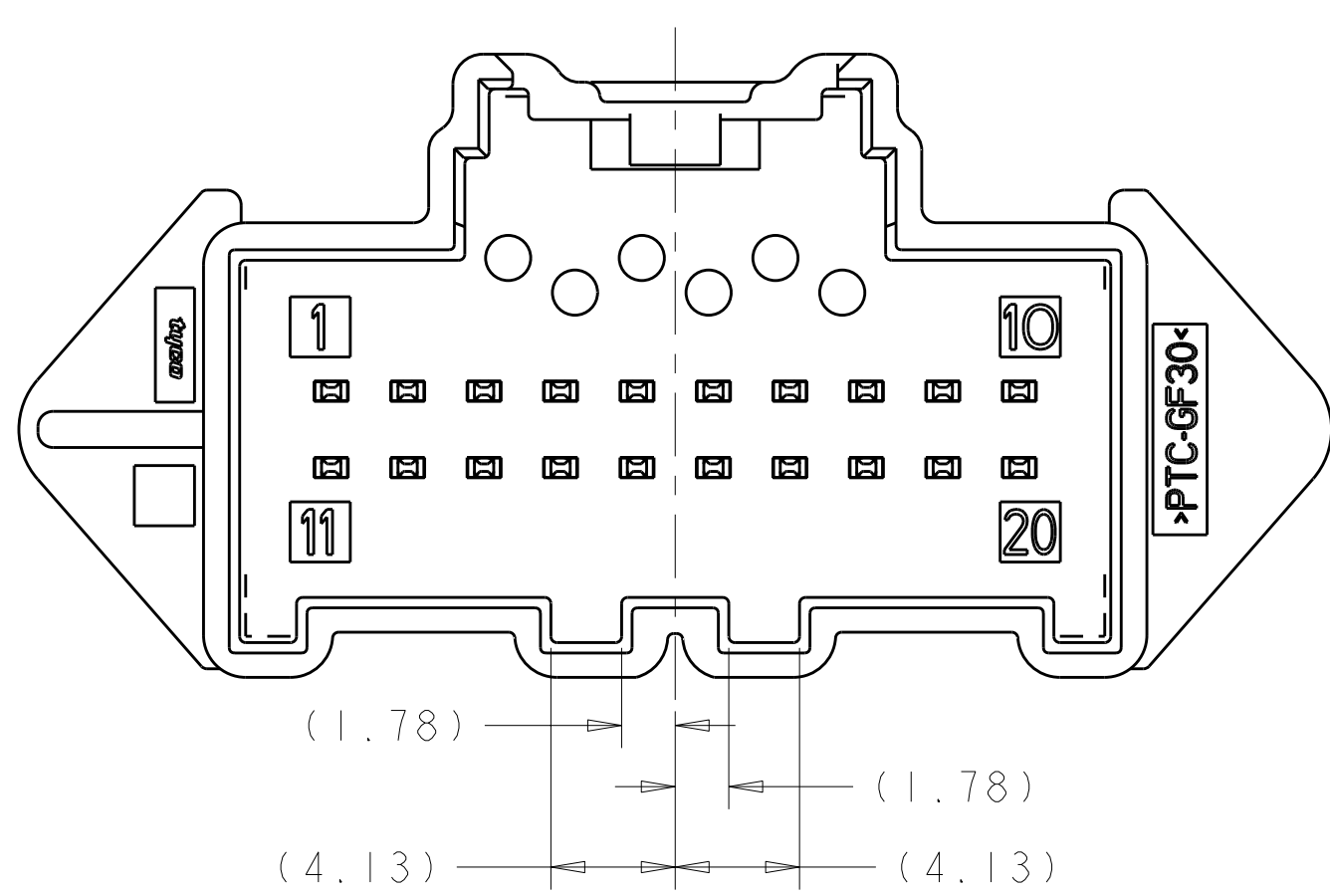
KEYING CODE "B"
SCALE 4:1



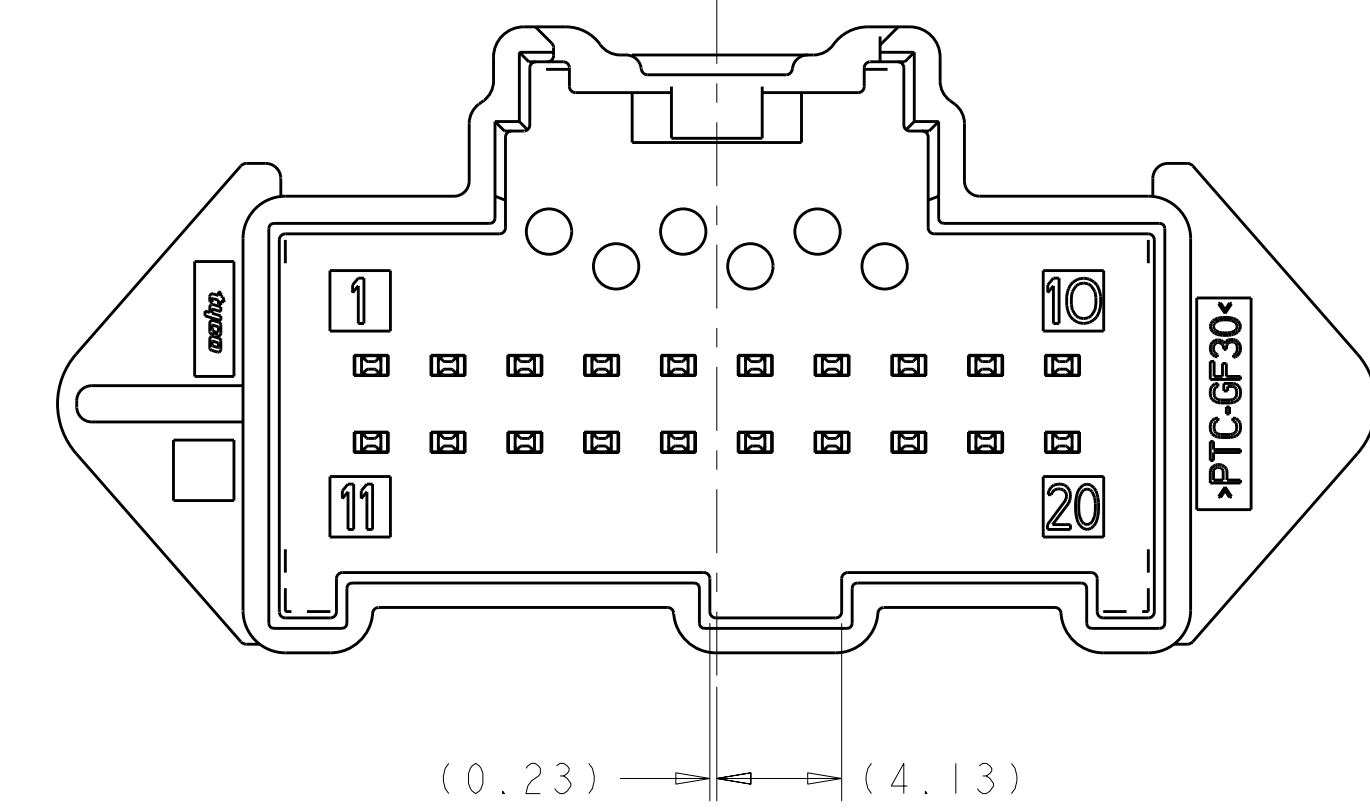
KEYING CODE "C"
SCALE 4:1



KEYING CODE "D"
SCALE 4:1



KEYING CODE "E"
SCALE 4:1



KEYING CODE "F"
SCALE 4:1

<small>THE INFORMATION IS CONTROLLED DOCUMENT FROM TYCO ELECTRONICS CORPORATION IT IS SUBJECT TO CHANGE WITHOUT NOTICE AND WITHOUT OBLIGATION SHOULD BE CONTACTED FOR THE LATEST REVISION.</small>		DWN H. MOLL 02FEB2006 CHK D. FRY 02FEB2006 APVD D. FRY 02FEB2006	Tyco Electronics Harrisburg, PA 17105-3608
DIMENSIONS: mm 	TOLERANCES UNLESS OTHERWISE SPECIFIED: 9 PLC ± 1 PLC ± 5 PLC ± 4 PLC ± ANGLES ± FINISH ±	NAME PRODUCT SPEC APPLICATION SPEC WEIGHT CUSTOMER DRAWING	NAME HEATER ASSY, 2x10, UNSEALED, VERTICAL, THRU-HOLE, WITH BOARDLOCKS, USCAR SIZE CAGE CODE DRAWING NO A100779C=1924121 RESTRICTED TO SCALE 3:1 SHEET 2 OF 2 REV A