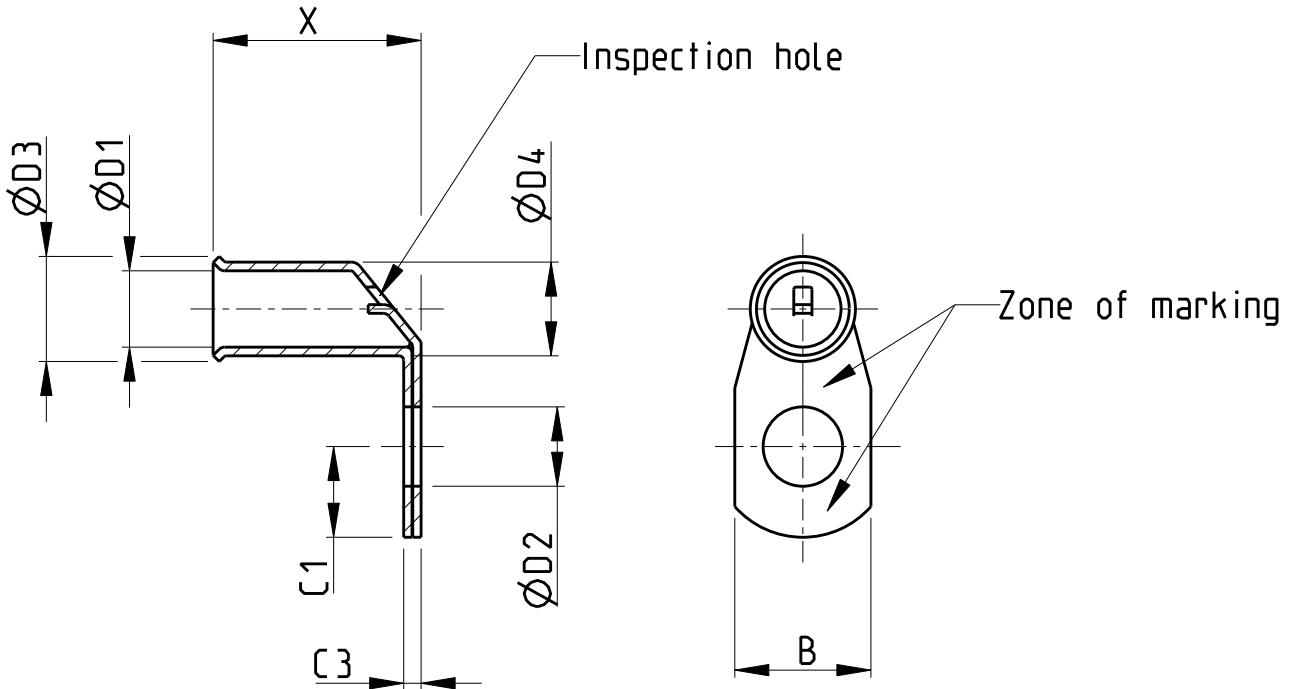


LOC	DIST	REVISIONS					
FM	-	P	LTR	DESCRIPTION	DATE	DWN	APVD
		B1		ECR-11-023381	17NOV2011	SZG	GB

MARKING : LOGO, +, SECTION, BORE

MATERIAL : TINNED COPPER



XCT 35-10 EQ AUTO	0-1923490-2	A	17	12	min. 1.5	Ø7.9	Ø10.5	Ø12	Ø11	23.5
XCT 35-8 EQ AUTO	0-1923490-1	A	17	10	min. 1.5	Ø7.9	Ø8.5	Ø12	Ø11	23.5
DESIGNATION	PART NO.	REV.	B±1	C1±0.3	C3	D1±0.2	D2±0.2	D3±0.8	D4±0.2	X±1.5


2006

RELEASED FOR PUBLICATION

ALL RIGHTS RESERVED.

THIS DRAWING IS UNPUBLISHED.

© COPYRIGHT 2006

DIMENSIONS: mm	DWN Abraham.G. 21NOV2006	MATERIAL -	FINISH -
TOLERANCES UNLESS OTHERWISE SPECIFIED:	CHK Brunner.M. 22NOV2006	 TE Connectivity	
0 PLC ± 1 PLC ± 2 PLC ± 3 PLC ± 4 PLC ± ANGLES ±°	APVD Bleicher.M. 23NOV2006		
	PRODUCT SPEC -	NAME XCT 35-... EQ AUTO	
	APPLICATION SPEC -	SIZE A 4	CAGE CODE 00779
	WEIGHT -	DRAWING NO C-1923490	RESTRICTED TO -
CUSTOMER DRAWING		SCALE -	SHEET 1 OF 1 REV B1