

THIS DRAWING IS UNPUBLISHED.

RELEASED FOR PUBLICATION

20

© COPYRIGHT 20 BY -

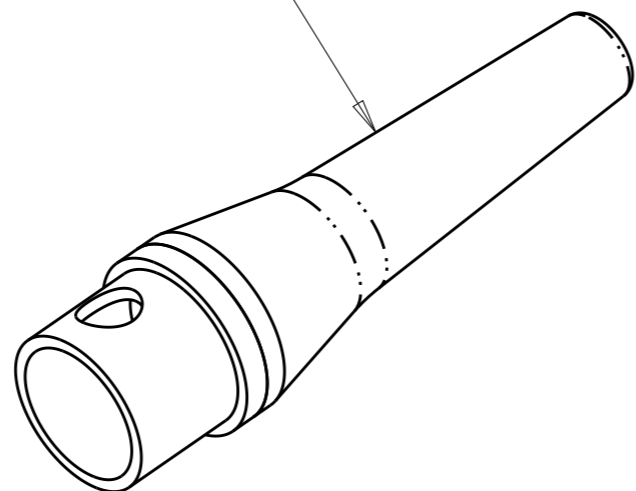
ALL RIGHTS RESERVED.

REVISIONS

P	LTR	DESCRIPTION	DATE	DWN	APVD
	A2	ECR-15-009282	04AUG2015	KG	DW

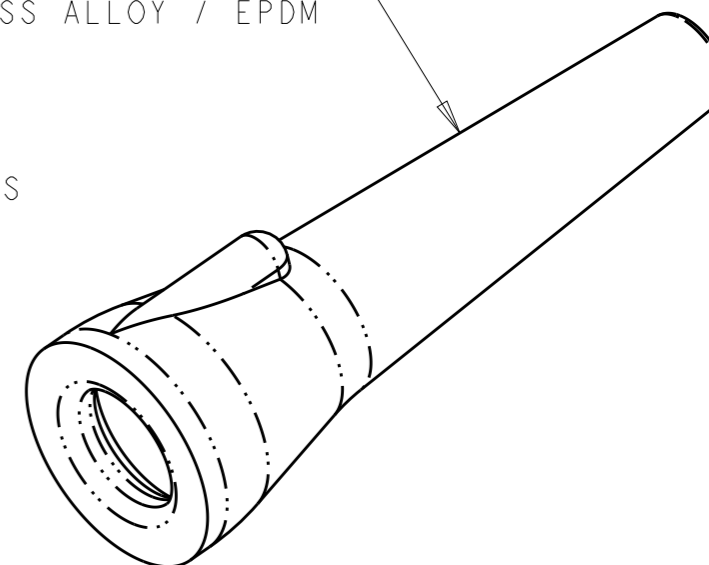
BOOT ASSEMBLY
MAT'L: STAINLESS ALLOY / EPDM

SET SCREW, M4x6
MAT'L: STAINLESS
STEEL



BOOT ASSEMBLY
MAT'L: STAINLESS ALLOY / EPDM

SET SCREW, M4x6
MAT'L: STAINLESS
STEEL



EXTENSION
MAT'L: SEE TABLE
FINISH: SEE TABLE

CRIMP SUPPORT
MAT'L: NICKEL-SILVER ALLOY

CRIMP SLEEVE
MAT'L: NICKEL-SILVER ALLOY

1918933-1 SHOWN

EXTENSION
MAT'L: SEE TABLE
FINISH: SEE TABLE

CRIMP SUPPORT
MAT'L: NICKEL-SILVER ALLOY

CRIMP SLEEVE
MAT'L: NICKEL-SILVER ALLOY

1918933-3 SHOWN

EXTENSION USED ON
1918933-7

THIS DRAWING IS A CONTROLLED DOCUMENT.

DWN 30OCT2006
K. GLATFELTER

CHK 04JUN2008
D. WERTMAN

APVD 04JUN2008
D. WERTMAN

PRODUCT SPEC

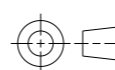
APPLICATION SPEC

WEIGHT

Customer Drawing

DIMENSIONS:

mm



TOLERANCES UNLESS OTHERWISE SPECIFIED:

0 PLC	±-
1 PLC	±-
2 PLC	±-
3 PLC	±-
4 PLC	±-
ANGLES	±-

MATERIAL
AS LISTED

FINISH
AS LISTED



TE Connectivity

NAME
CABLE ADAPTER KIT W/BOOT,
STD BULKHEAD, PRO BEAM JR.

SIZE
A300779

CAGE CODE

DRAWING NO
C-1918933

RESTRICTED TO

SCALE
2:1

SHEET
1 OF 2

REV
A2

THIS DRAWING IS UNPUBLISHED.

RELEASED FOR PUBLICATION

20

© COPYRIGHT 20 BY -

ALL RIGHTS RESERVED.

REVISIONS

P	LTR	DESCRIPTION	DATE	DWN	APVD
	-	SEE SHEET 1	-	-	-

- SUPERSEDED BY:**
3-1918933-2
- SUPERSEDED BY:**
3-1918933-1
- SUPERSEDED BY:**
3-1918933-0
- SUPERSEDED BY:**
2-1918933-9
- SUPERSEDED BY:**
2-1918933-8
- SUPERSEDED BY:**
2-1918933-7
- SUPERSEDED BY:**
2-1918933-6
- SUPERSEDED BY:**
2-1918933-5

CONDUCTIVE OLIVE DRAB ZINC ON ALUMINUM ALLOY

NICKEL ALUMINUM BRONZE ALLOY

HARD ANODIZE FINISH ON ALUMINUM ALLOY

CONDUCTIVE BLACK ZINC-NICKEL ON ALUMINUM ALLOY	4 x 3mm	3-1918933-2
	7.5mm	3-1918933-1
	6.7mm	3-1918933-0
	6.0mm	2-1918933-9
	5.5mm	2-1918933-8
	5.0mm	2-1918933-7
	4.2mm	2-1918933-6
	3.2mm	2-1918933-5

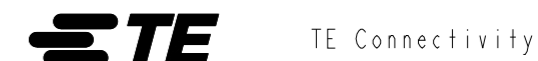
4 x 3mm	2-1918933-4
7.5mm	2-1918933-3
6.7mm	2-1918933-2
6.0mm	2-1918933-1
5.5mm	2-1918933-0
5.0mm	1-1918933-9
4.2mm	1-1918933-8
3.2mm	1-1918933-7
4 x 3mm	1-1918933-6
7.5mm	1-1918933-5
6.7mm	1-1918933-4
6.0mm	1-1918933-3
5.5mm	1-1918933-2
5.0mm	1-1918933-1
4.2mm	1-1918933-0
3.2mm	1918933-9
4 x 3mm	1918933-8
7.5mm	1918933-7
6.7mm	1918933-6
6.0mm	1918933-5
5.5mm	1918933-4
5.0mm	1918933-3
4.2mm	1918933-2
3.2mm	1918933-1

DESCRIPTION	MAXIMUM CABLE DIAMETER	PART NUMBER
-------------	------------------------	-------------

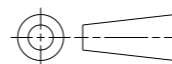
DESCRIPTION	MAXIMUM CABLE DIAMETER	PART NUMBER
-------------	------------------------	-------------

THIS DRAWING IS A CONTROLLED DOCUMENT.

DWN 30OCT2006
K. GLATFELTER
CHK 04JUN2008
D. WERTMAN
APVD 04JUN2008
D. WERTMAN



DIMENSIONS: mm
TOLERANCES UNLESS OTHERWISE SPECIFIED:



- 0 PLC ±-
- 1 PLC ±-
- 2 PLC ±-
- 3 PLC ±-
- 4 PLC ±-
- ANGLES ±-

MATERIAL AS LISTED
FINISH AS LISTED

PRODUCT SPEC -
APPLICATION SPEC -
WEIGHT -

NAME
CABLE ADAPTER KIT W/BOOT, STD BULKHEAD, PRO BEAM JR.

SIZE	CAGE CODE	DRAWING NO	RESTRICTED TO
A3	00779	C-1918933	-

Customer Drawing SCALE 1:1 SHEET 2 OF 2 REV A2