

REVISIONS					
P	LTR	DESCRIPTION	DATE	DWN	APVD
C		REVISED(ECR-18-018371)	14DEC2018	SI	YJ
D		REVISED(ECR-20-015614)	02MAR2021	JY	YJ
D1		REVISED(ECR-22-159779)	10JAN2023	JY	KT
D2		REVISED(ECR-24-200434)	16FEB2024	CI	YH

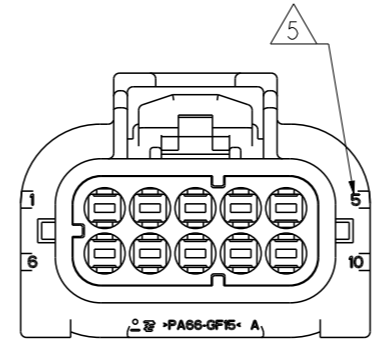
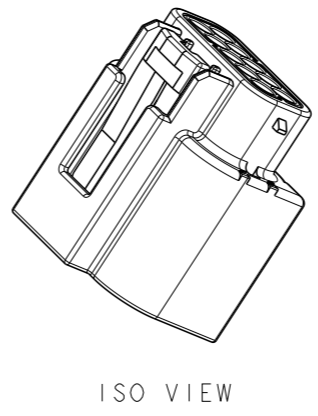
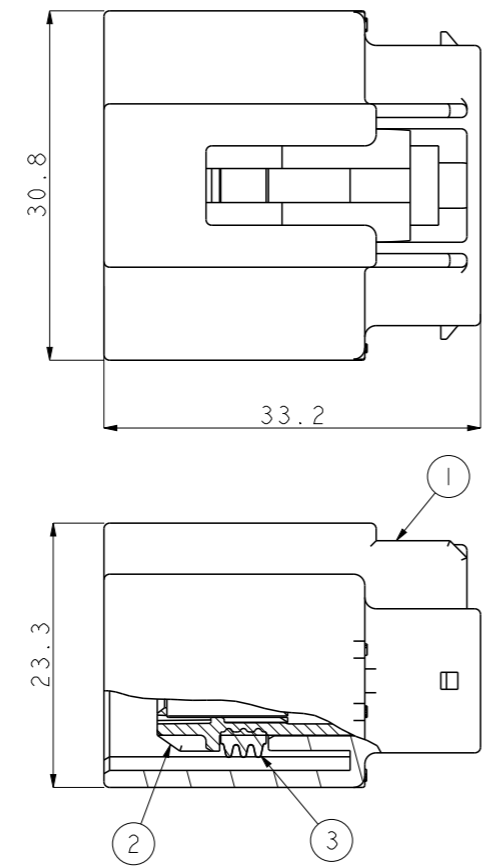
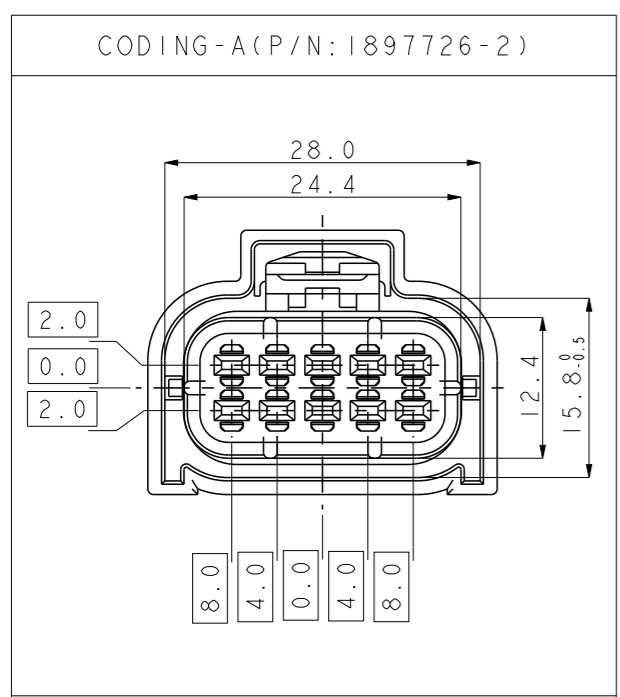


TABLE 1. APPLICABLE REC. CONTACT.

ASS'Y P/N	REC.	PART NO.	WIRE RANGE (mm <sup>2</sup> )	INSULATION DIA. (mm) (FLR)
1897726-2	MCP 1.5	1241378	0.2-0.35	1.1-1.4
		1241380	0.5-1.0	1.4-2.1
1-1897726-2 2-1897726-3	MT-III	1241730	0.3~0.5	1.15~1.6
		1241732	0.5~1.0	1.4~2.0
	MT-II	962875-1	0.5	1.2~1.6
		1703414	1.25	2.2~2.4

TABLE 2. APPLICABLE SINGLE WIRE SEALS

WIRE RANGE (mm <sup>2</sup> )	INSULATION DIA. (mm)	COLOR	PART NO.
0.35-0.50	1.2~1.6	RED	964971-1
0.50-0.75	1.4~1.9	GRAY	963530-1
1.0	1.9~2.1	YELLOW	964972-1
1.25	1.9~2.4	ORANGE	2112323-1

TABLE 3. APPLICABLE SINGLE WIRE SEALS

APPLICABLE ASS'Y P/N	DEAD END PLUG	COLOR	PART NO.
1-1897726-2	DEAD END PLUG	WHITE	963531-1
		NATURAL	1394132-1
2-1897726-3		NATURAL	1394132-1

NOTE ;  
 1. GENERAL TOLERANCE : ±0.3, ±3.0°  
 2. APPLICABLE REC. CONTACT : SEE TABLE 1.  
 3. APPLICABLE SINGLE WIRE SEAL : SEE TABLE 2.  
 4. THE MATING TAB HSG P/N : 1897725-2, 1-1897725-3, 2310352-2, 1-2310352-2

- 5 CURCUIT NO.
- 6 GM RESTRICTED P/N
- 7 DEAD END PLUG INSERTION DEPTH : 1.5 ±0.5
- 8. APPLICABLE COVER P/N : SEE TABLE 4

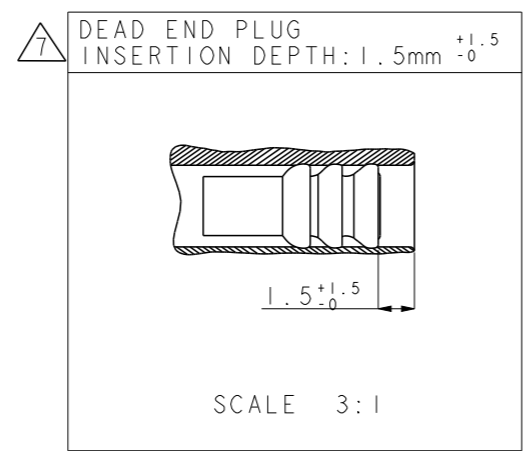
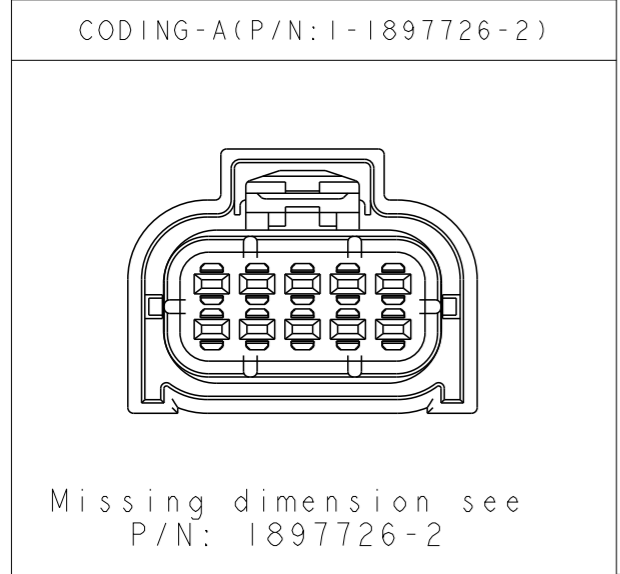
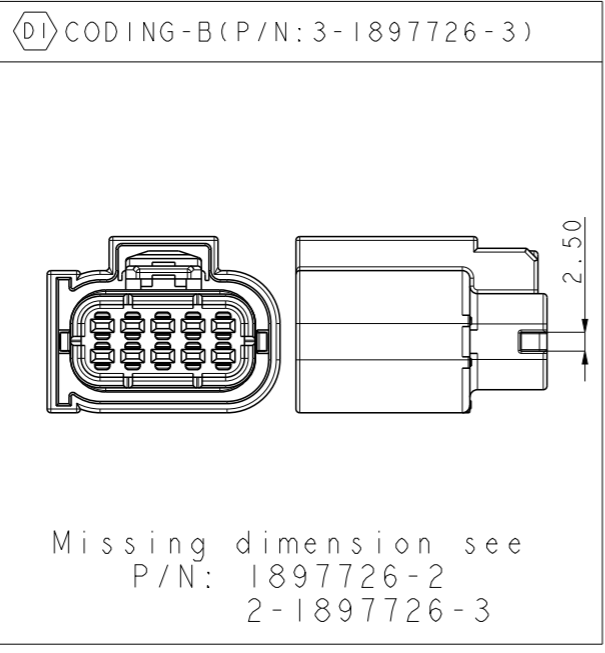
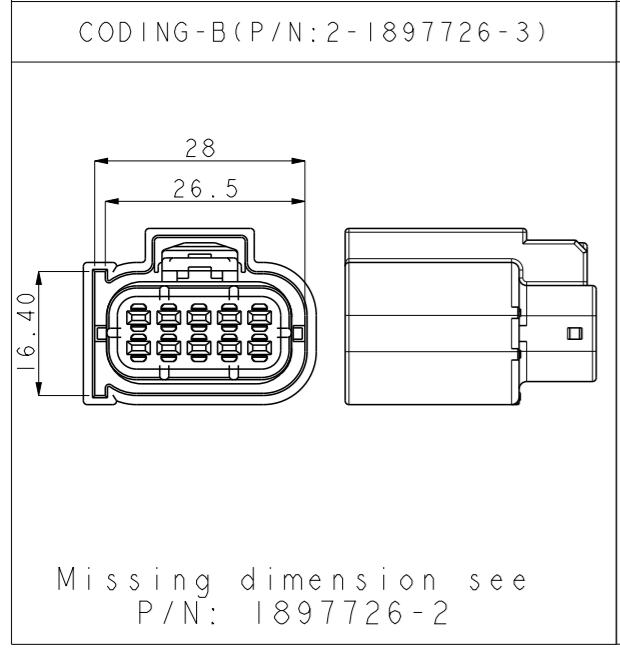


TABLE 4. APPLICABLE COVER HSG

PLUG ASS'Y	MATING COVER HSG
1897726-2	2219417-2
1-1897726-2	2219417-2
2-1897726-3	2219417-2
3-1897726-3	2374021-2



NO.	PART NO.	DESCRIPTION	MATERIAL	COLOR	Q'TY
3	1-2005918-6	INNER SEAL	SILICONE	RED ORANGE	1
	2005918-1			GREEN	1
2	2188707-3	CAVITY PLUG HSG	PBT-GF20	GRAY	1
	1897728-2		PA6-GB20-GF10	BLACK	1
1	2-1897727-3	REC. HSG	PA66-GF15	GRAY	1
	1-1897727-3			GRAY	1
	1897727-2			BLACK	1

THIS DRAWING IS A CONTROLLED DOCUMENT.

DIMENSIONS: mm

TOLERANCES UNLESS OTHERWISE SPECIFIED:

0 PLC	±0.5
1 PLC	±0.5
2 PLC	±0.13
3 PLC	±0.013
4 PLC	±0.001
ANGLES	±

MATERIAL: - FINISH: -

SM LEE  
 KT LIM  
 HG CHO

TE Connectivity

MCP1.5 SEALED 10P REC. HSG ASS'Y

SIZE: A3 CAGE CODE: 300779 DRAWING NO: 1897726

CUSTOMER DRAWING SCALE: 3:2 SHEET: 1 OF 1 REV: D2