

4

3

2

1

THIS DRAWING IS UNPUBLISHED. RELEASED FOR PUBLICATION 20
© COPYRIGHT 20 BY TYCO ELECTRONICS CORPORATION. ALL RIGHTS RESERVED.

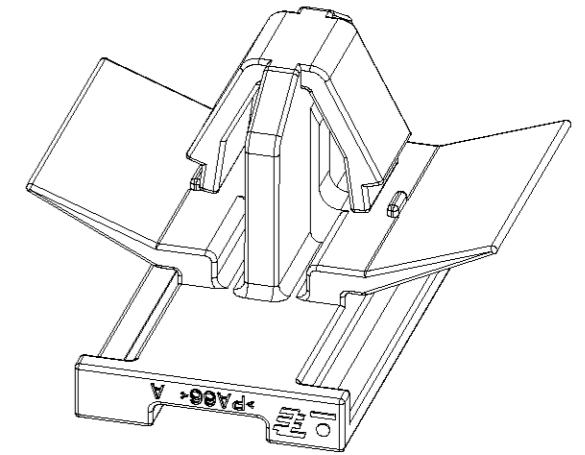
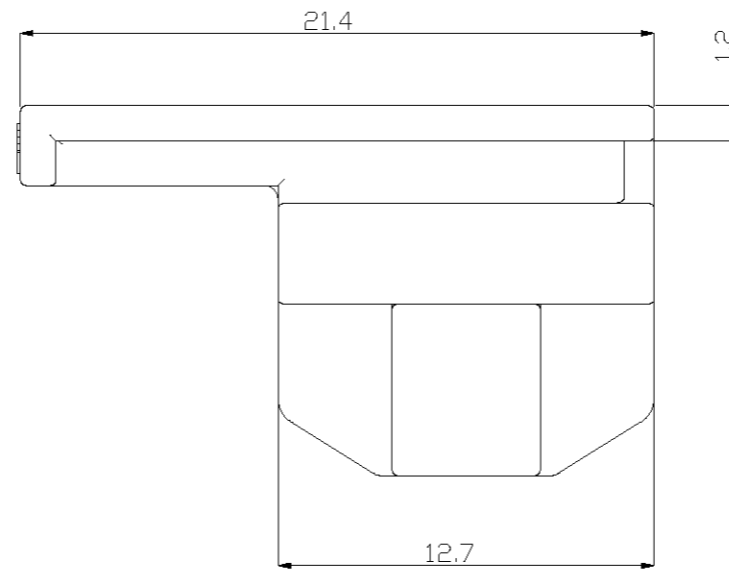
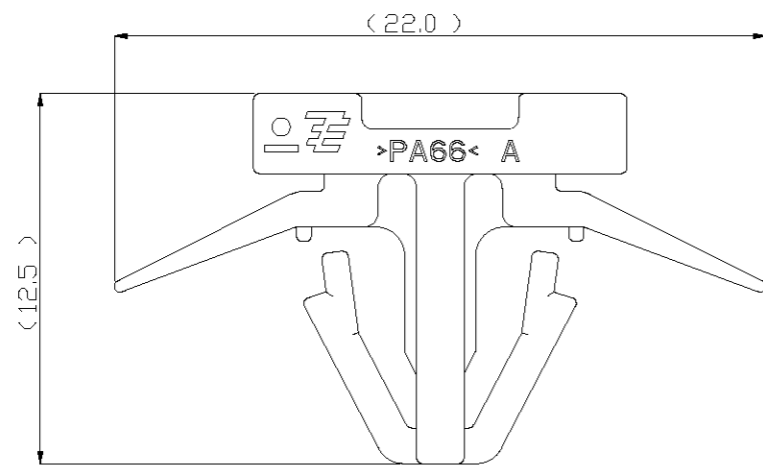
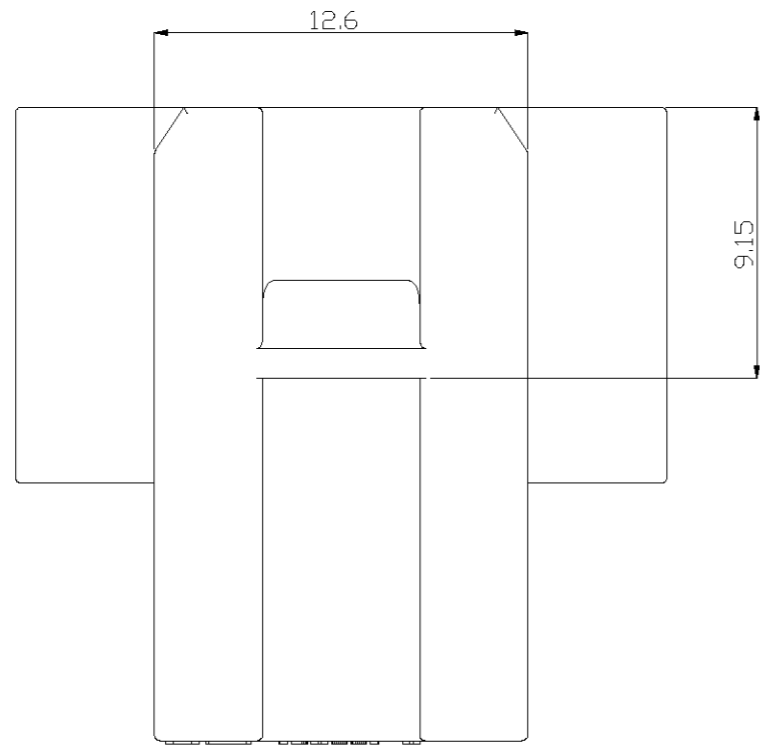
LOC	DIST	REVISIONS			
P	LTR	DESCRIPTION	DATE	DWN	APVD
DS	-	RELEASE	08.AUG.'08	GC	JK

D

C

B

A



ISD VIEW

D

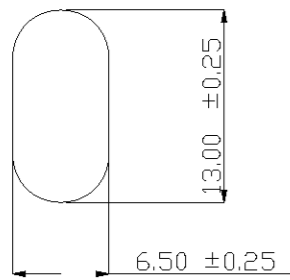
C

B

A

NOTE :
 1. GENERAL TOLERANCE : ±0.3, ±3.0°
 2. APPLICABLE PANEL SIZE : SEE FIG. 1

1897694-2	CLIP	PA66	BLACK
PART NO.	DESCRIPTION	MATERIAL	COLOR



APPLICATION PANEL SIZE
(THICKNESS : 0.6~1.2 mm)

THIS DRAWING IS A CONTROLLED DOCUMENT FOR TYCO ELECTRONICS CORPORATION
IT IS SUBJECT TO CHANGE AND THE CONTROLLING ENGINEERING ORGANIZATION
SHOULD BE CONTACTED FOR THE LATEST REVISION.

DIMENSIONS	TOLERANCES UNLESS OTHERWISE SPECIFIED
mm	
0 PLC	±-
1 PLC	±0.5
2 PLC	±0.13
3 PLC	±0.013
4 PLC	±0.0001
ANGLES	±
MATERIAL	FINISH
-	-

DWN	GC KWON	08AUG2008	AMP KOREA	
CHK	KT LIM	-	Tyco Electronics kyungsan, korea	
APVD	JK SONG	-	NAME	
PRODUCT SPEC	-	-	SLOT CLIP FOR 070 MOUNT	
APPLICATION SPEC	-	-	SIZE	RESTRICTED TO
WEIGHT	-	-	A3	-
CUSTOMER DRAWING		SCALE	4:1	SHEET 1 OF 1
		DRAWING NO	C-1897694	REV A