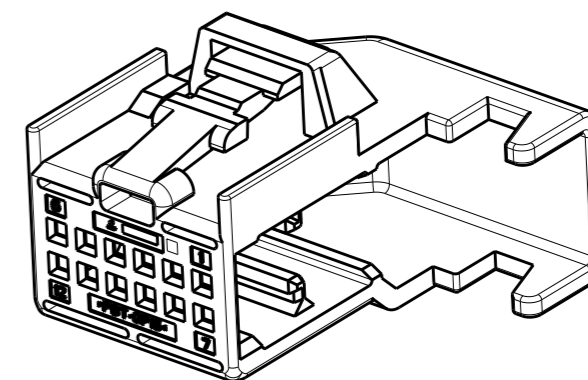
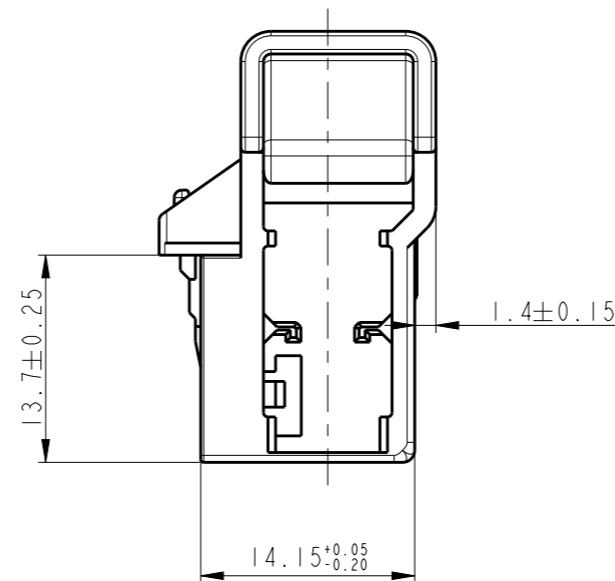
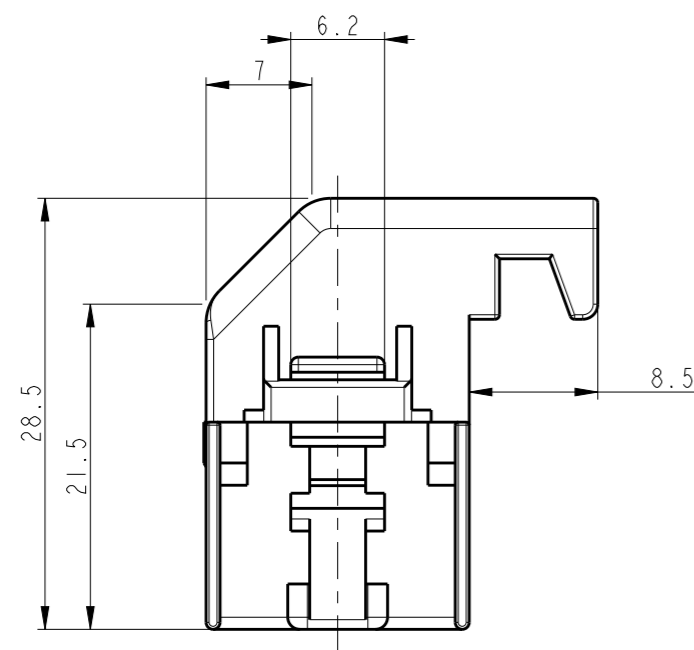
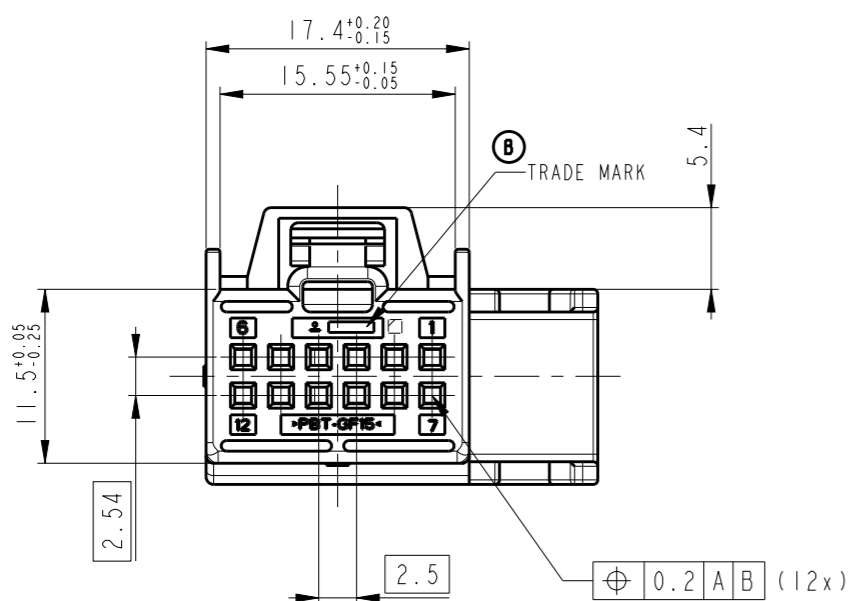


REVISIONS

P	LTR	DESCRIPTION	DATE	DWN	APVD
	A	RELEASED	02JUN2007	BH	JK
	B	REVISED (ECR-16-006035)	28APR2016	SJ	HG
	B1	REVISED (ECR-16-014719)	18OCT2016	SJ	JW



3D VIEW



NOTE.

- 1. GENERAL TOLERANCE : ±0.3, ±2°
- (B1) 2. USED WITH : 1534100, 2177280
- 3. SUITABLE PIN HEADER : 967250

NO.	COLOR/FINISH	MATERIAL	DESCRIPTION	P/N
1	BLACK	PBT GF15	COVER HSG FOR MQS 12P	1897277-2

THIS DRAWING IS A CONTROLLED DOCUMENT.		DWN SJ CHOI																
DIMENSIONS: mm		CHK SJ CHOI																
TOLERANCES UNLESS OTHERWISE SPECIFIED:		APVD JW JUNG	NAME COVER HSG FOR MQS 12P REC HSG															
<table border="1"> <tr><td>0 PLC</td><td>±</td></tr> <tr><td>1 PLC</td><td>±</td></tr> <tr><td>2 PLC</td><td>±</td></tr> <tr><td>3 PLC</td><td>±</td></tr> <tr><td>4 PLC</td><td>±</td></tr> <tr><td>ANGLES</td><td>±</td></tr> <tr><td>FINISH</td><td></td></tr> </table>		0 PLC	±	1 PLC	±	2 PLC	±	3 PLC	±	4 PLC	±	ANGLES	±	FINISH		PRODUCT SPEC	RESTRICTED TO	
0 PLC	±																	
1 PLC	±																	
2 PLC	±																	
3 PLC	±																	
4 PLC	±																	
ANGLES	±																	
FINISH																		
MATERIAL SEE TABLE		APPLICATION SPEC	SIZE A3	CAGE CODE 00779														
		WEIGHT	DRAWING NO C-1897277															
		CUSTOMER DRAWING	SCALE 2:1	SHEET 1 OF 1														
				REV B1														