

THIS DRAWING IS UNPUBLISHED.

RELEASED FOR PUBLICATION

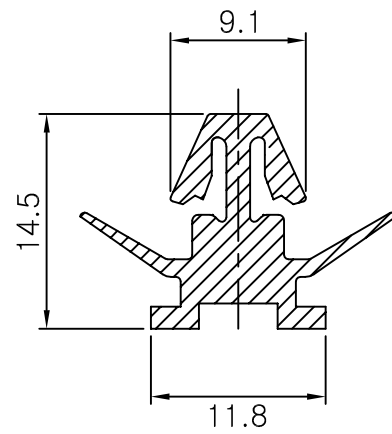
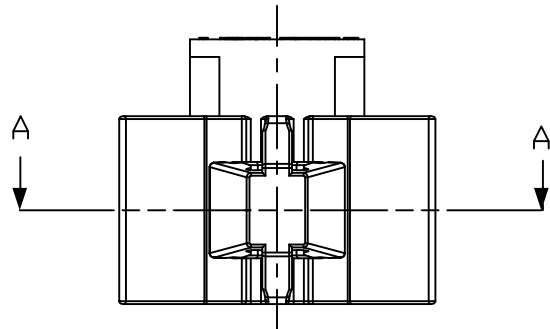
20

© COPYRIGHT 20 BY -

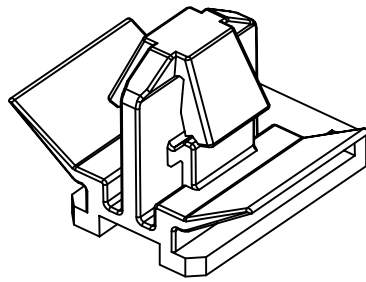
ALL INTERNATIONAL RIGHTS RESERVED.

REVISIONS

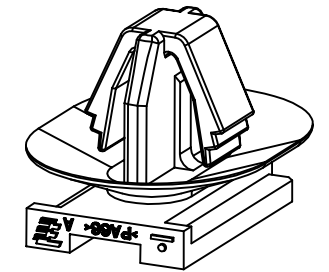
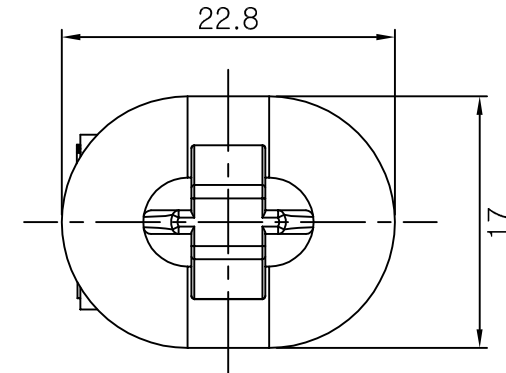
P	LTR	DESCRIPTION	DATE	DWN	APVD
	A1	REVISED (ECR-10-021923)	07.DEC'10	SM	HG



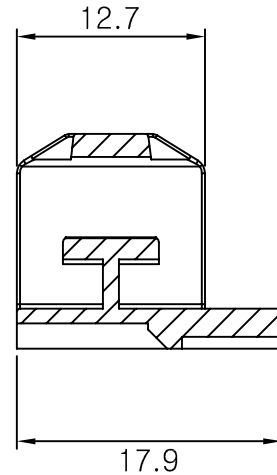
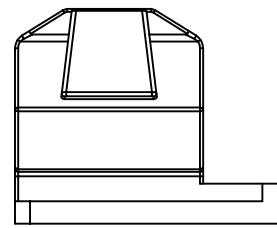
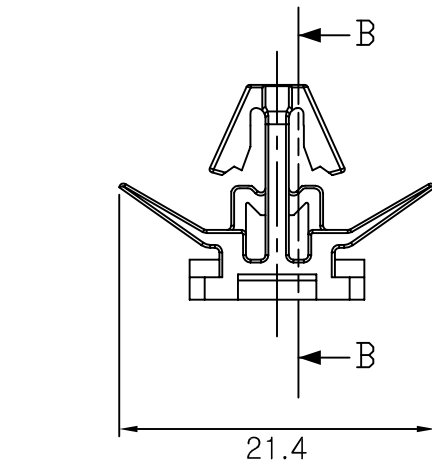
SECTION A-A



ISOMETRIC VIEW



ISO VIEW



SECTION B-B

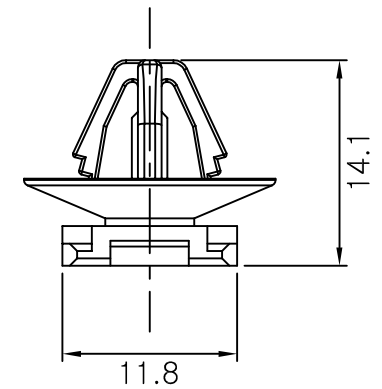
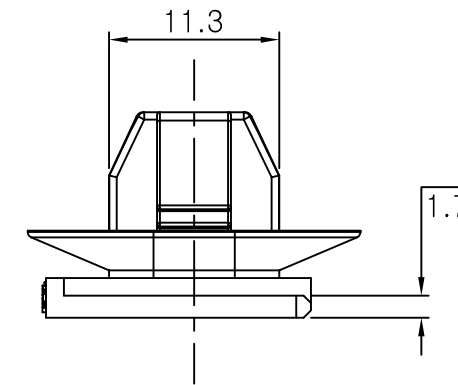
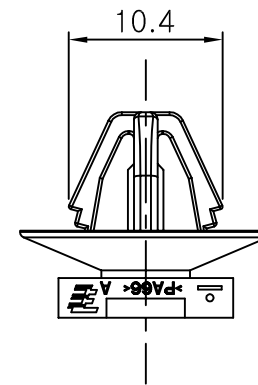


TABLE 1

P/N : 1897255-2	P/N : 1-1897255-2
APPLICATION PANEL SIZE (THICKNESS : 1.2~1.8 mm)	APPLICATION PANEL SIZE (THICKNESS : 0.7~2.0 mm)

- NOTE
 1. GENERAL TOLERANCE : ±0.3, ±3°
 2. APPLICATION PANEL SIZE : SEE TABLE 1

NO	PART NO.	DESCRIPTION	MATERIAL	COLOR
2	1-1897255-2	SLOT CLIP FOR J300	PA66	BLACK
1	1897255-2	SLOT CLIP FOR J300	PA66	BLACK

THIS DRAWING IS A CONTROLLED DOCUMENT.		DWN SM LEE		
DIMENSIONS: mm		CHK KT LIM		
TOLERANCES UNLESS OTHERWISE SPECIFIED:		APVD HG CHO	NAME SLOT CLIP FOR J300	
0 PLC 1 PLC 2 PLC 3 PLC 4 PLC ANGLES		PRODUCT SPEC	SIZE A3	
MATERIAL SEE TABLE		FINISH -	CAGE CODE 00779	DRAWING NO C-1897255
		WEIGHT -	RESTRICTED TO -	
		CUSTOMER DRAWING	SCALE 2:1	SHEET 1 OF 1
				REV A1