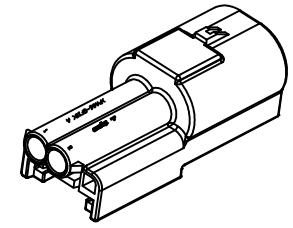
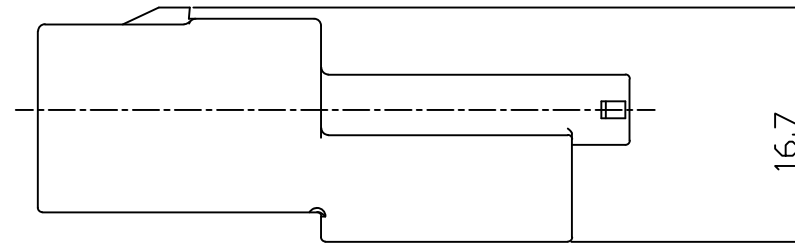
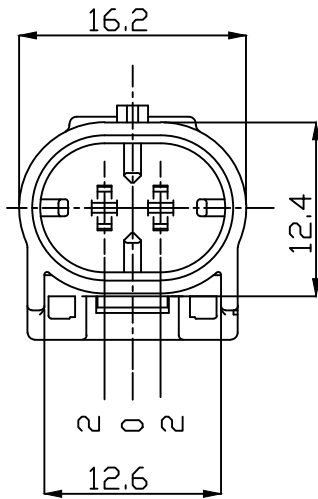


THIS DRAWING IS UNPUBLISHED. RELEASED FOR PUBLICATION  
 © COPYRIGHT 20 BY TYCO ELECTRONICS CORPORATION. ALL RIGHTS RESERVED.

LDC	DIST	REVISIONS				
P	LTR	DESCRIPTION	DATE	DWN	APVD	
DS	-	A2	REVISED (ECR-16-005459)	14.APR.'16	SJ	JW



ISOMETRIC VIEW

(A1) TABLE 2.

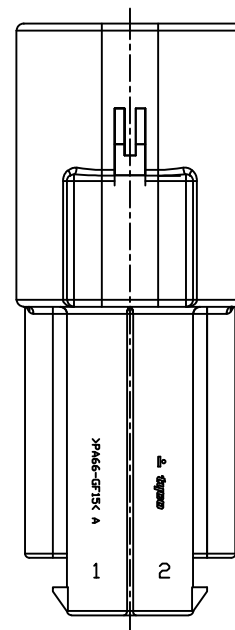
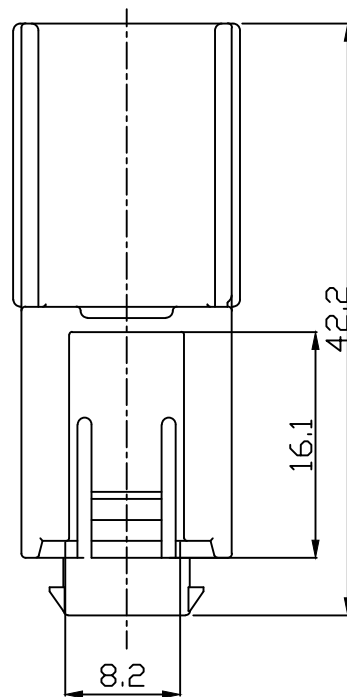
TAPE	PART NO.	INSULATION DIA. (mm)	COLOR
MCP1.5	1718705-1	0.9 - 1.2	GREEN
	964971-1	1.2 - 1.6	RED
	963530-1	1.4 - 1.9	GREY
	964972-1	1.9 - 2.3	YELLOW
	2112323-1	2.2 - 2.4	ORANGE
963531-1	CAVITY PLUG	WHITE	

(A1) TABLE 1.

TAPE	PART NO.	WIRE RANGE (mm)	INSULATION DIA. (mm)	FINISH
MCP1.5	969028-1	0.2 - 0.5	1.2 - 1.6	CuSn4, Tin
	969028-2			CuFe2, Tin
	969028-3			CuSn4, Gold
	964269-1	0.5 - 1.0	1.4 - 2.1	CuSn4, Tin
	964269-2			CuFe2, Tin
	964269-3			CuSn4, Gold
	1703278-2	1.25	2.2 - 2.4	CuFe2, Tin
	1703278-5			CuSn4, Tin

NOTE

1. GENERAL TOLERANCE :  $\pm 0.3$ ,  $\pm 3.0^\circ$
2. THE MATING CONNECTOR: 1897212-1
3. APPLICABLE TAB CONTACT P/N: TABLE 1.
4. APPLICABLE WIRE SEAL P/N: TABLE 2



PART NO.	DESCRIPTION	MATERIAL	COLOR
1897211-3	CAP HS'G	PA66-GF15	GRAY
1897211-2	CAP HS'G	PA66-GF15	BLACK

THIS DRAWING IS A CONTROLLED DOCUMENT FOR TYCO ELECTRONICS CORPORATION IT IS SUBJECT TO CHANGE AND THE CONTROLLING ENGINEERING ORGANIZATION SHOULD BE CONTACTED FOR THE LATEST REVISION.		DWN <b>SJ CHOI</b>		TE Connectivity	
DIMENSIONS: mm		CHK <b>SJ CHOI</b>			
		TOLERANCES UNLESS OTHERWISE SPECIFIED: 0 PLC $\pm 0.5$ 1 PLC $\pm 0.5$ 2 PLC $\pm 0.13$ 3 PLC $\pm 0.013$ 4 PLC $\pm 0.0001$ ANGLES $\pm$		APVD <b>JW JUNG</b>	
MATERIAL SEE TABLE		FINISH		NAME <b>MCP 1.5 2P CAP HSG</b>	
		APPLICATION SPEC <b>114-18082</b>		SIZE <b>A3</b>	CAGE CODE <b>00779</b>
		WEIGHT		DRAWING NO <b>1897211</b>	RESTRICTED TO -
CUSTOMER DRAWING				SCALE <b>2:1</b>	SHEET <b>1</b> OF <b>1</b>
				REV <b>A2</b>	