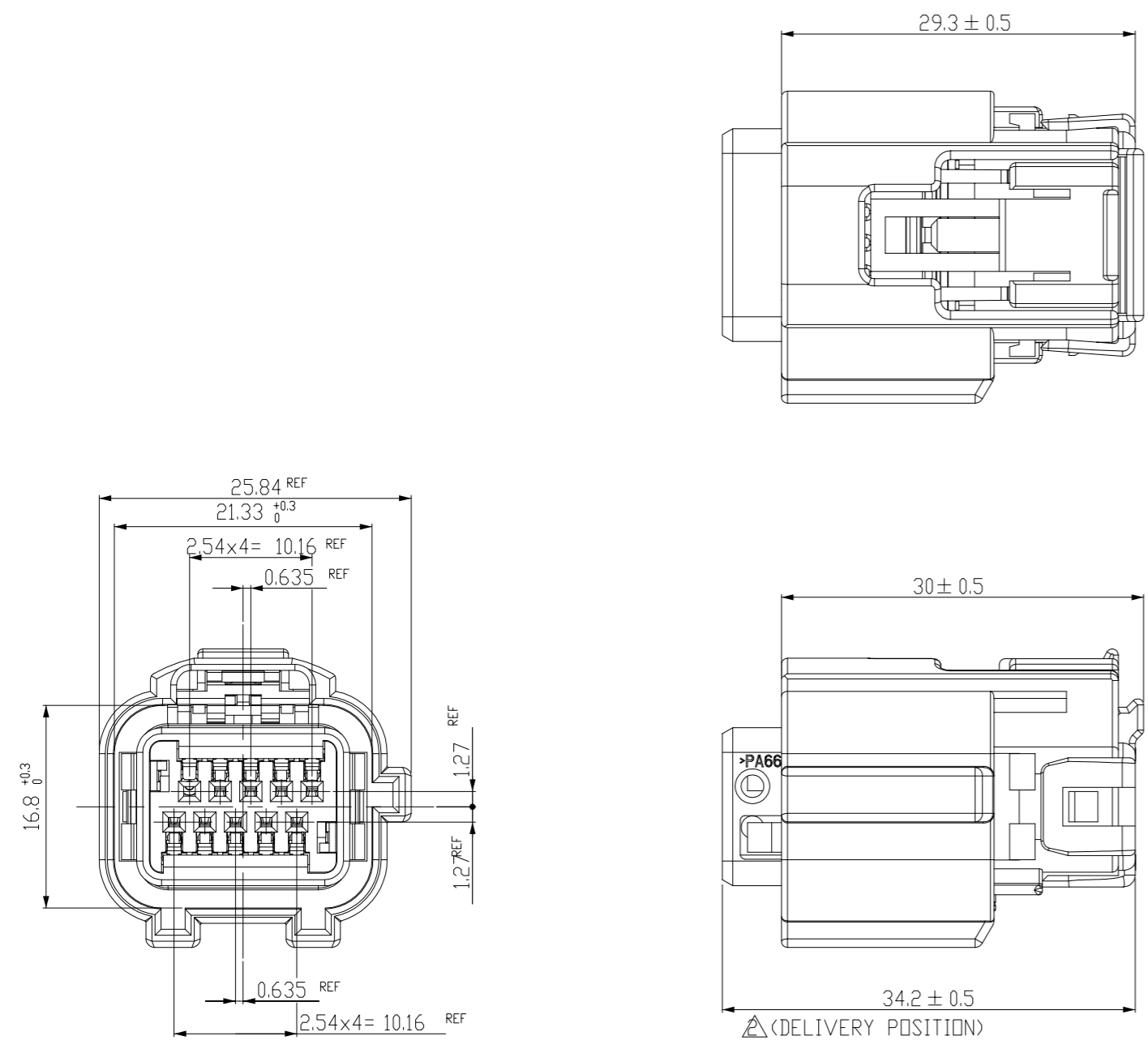
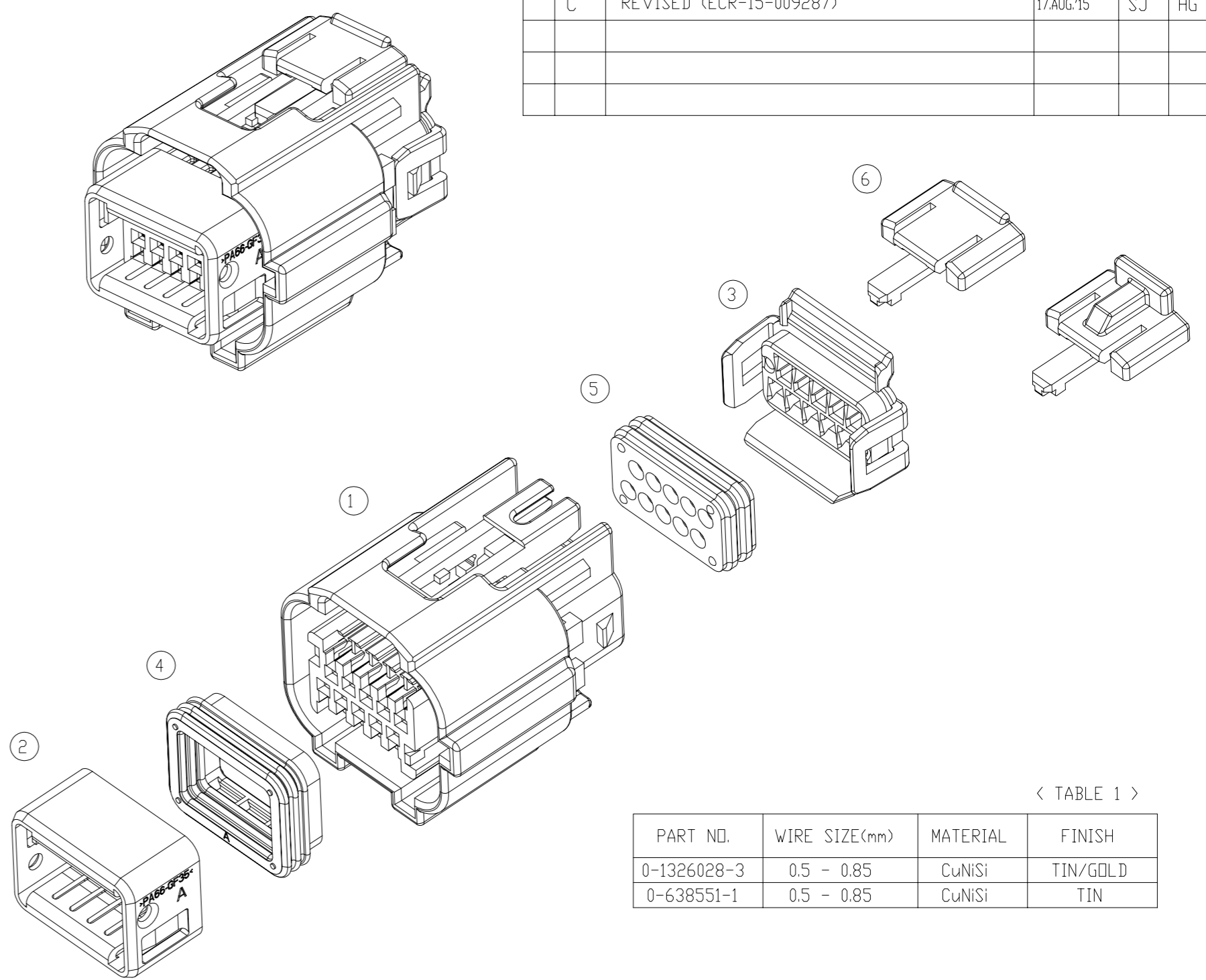
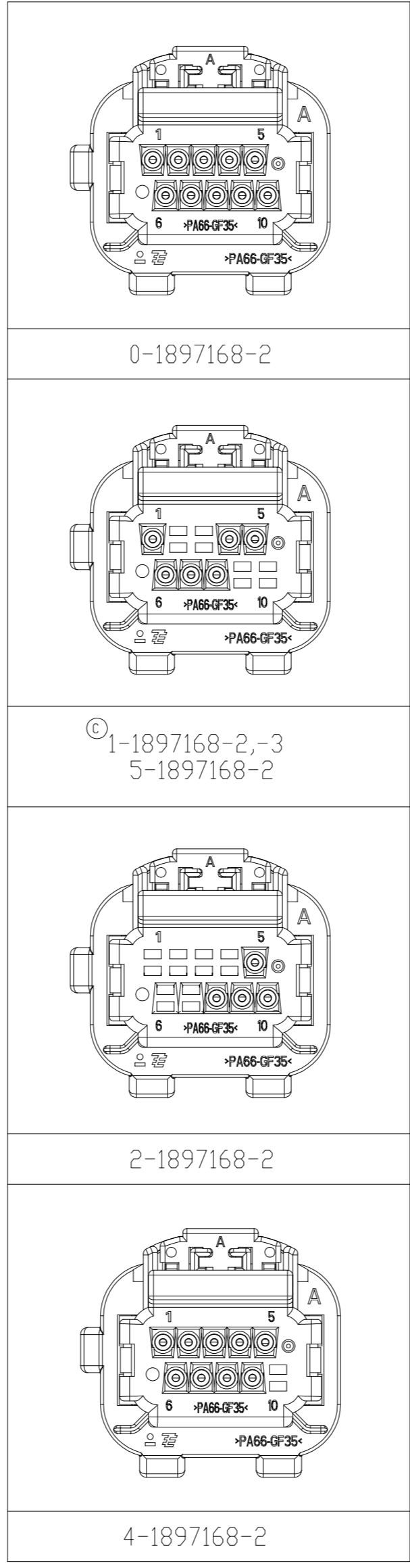


THIS DRAWING IS UNPUBLISHED. RELEASED FOR PUBLICATION 20
 © COPYRIGHT 20 BY - ALL RIGHTS RESERVED.

REVISIONS					
P	LTR	DESCRIPTION	DATE	DWN	APVD
C		REVISED (ECR-15-009287)	17AUG'15	SJ	HG



PIN LAYOUT

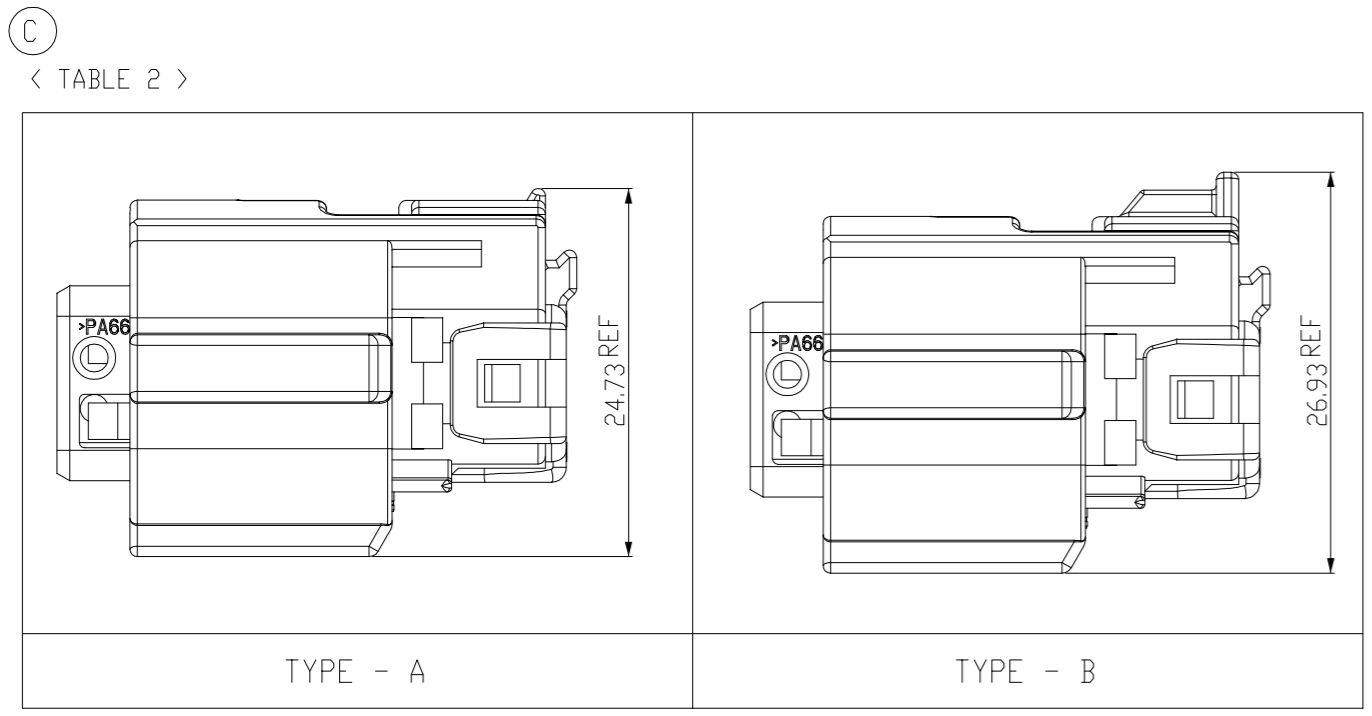


< TABLE 1 >

PART NO.	WIRE SIZE(mm)	MATERIAL	FINISH
0-1326028-3	0.5 - 0.85	CuNiSi	TIN/GOLD
0-638551-1	0.5 - 0.85	CuNiSi	TIN

NOTE
 1. GENERAL TOLERANCE : ±0.3
 2. CPA SHOWN IN PRE-LATCHED POSITION
 3. APPLICABLE RECEPTACLE P/N<TABLE 1>
 4. CPA TYPE : <TABLE 2>

NO	FINISH/COLOR	MATERIAL	DESCRIPTION	Q'TY
6	GRAY	PBT-GF15	0.64mm Sealed 10/12Pos Plug CPA HSG	1
	RED			-
5	RED DRANGE	SILICONE	0.64mm Sealed 10Pos Plug Family Seal	1
				1
4	RED DRANGE	SILICONE	0.64mm Sealed 10Pos Plug Inner Sea	1
				1
3	RED	PA66-GF35	0.64mm Sealed 10Pos Plug Seal Retainer HSG	-
	GRAY			1
	BROWN			-
2	GRAY	PA66-GF35	0.64mm Sealed 10Pos Plug DBL HSG	1
	BLACK			1
1	GRAY	PA66-GF35	0.64mm Sealed 10Pos Plug HSG	-
	BLACK			1



THIS DRAWING IS A CONTROLLED DOCUMENT.

DIMENSIONS: mm	TOLERANCES UNLESS OTHERWISE SPECIFIED:	DWN SJ CHOI	NAME
0 PLC ±	1 PLC ±	CHK JW JUNG	TE Connectivity
2 PLC ±	3 PLC ±	APVD HG CHO	0.64mm SEALED 10P PLUG ASS'Y
4 PLC ±	ANGLES ±	PRODUCT SPEC	SIZE A2
3rd ANGLE PROJECTION		APPLICATION SPEC	CAGE CODE -
MATERIAL	FINISH	WEIGHT	DRAWING NO C-1897168
SEE TABLE		CUSTOMER DRAWING	RESTRICTED TO
		SCALE 1:1	SHEET 1 OF 1
			REV C