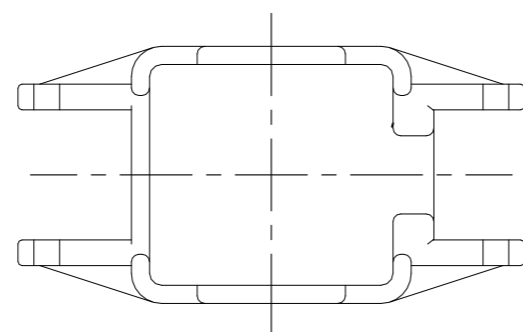
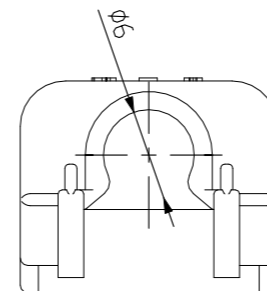
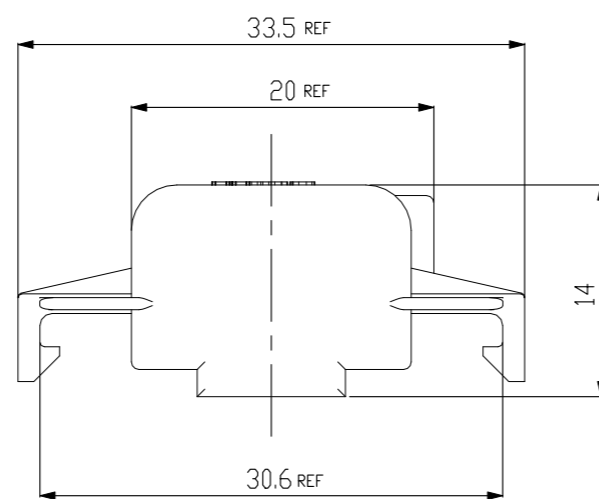
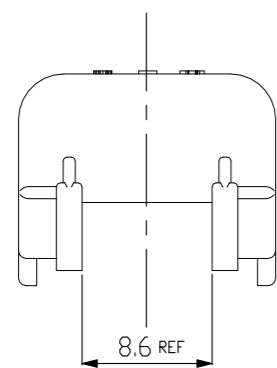
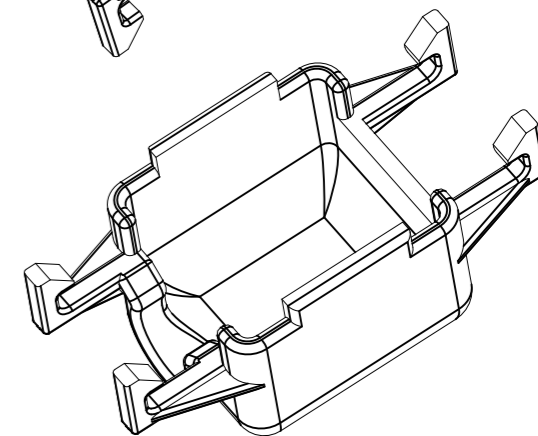
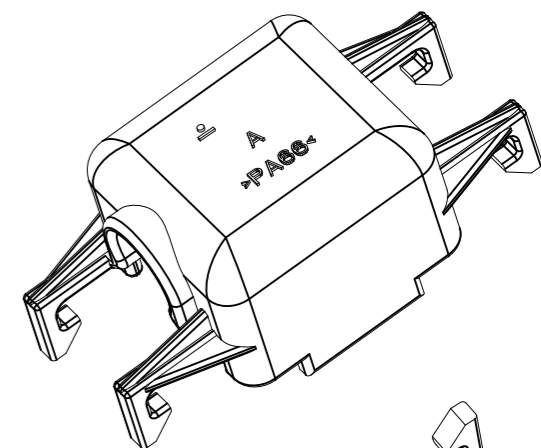
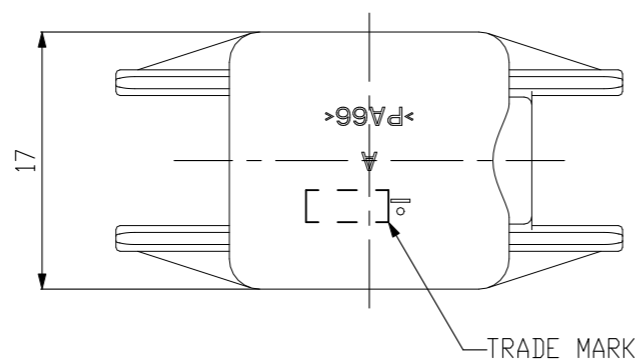


REVISIONS					
P	LTR	DESCRIPTION	DATE	DWN	APVD
	C	REVISED (ECR-22-145653)	18JUL2022	LP	HCC



NOTES

- 1. GENERAL TOLERANCE:±0.3
- 2. APPLICABLE CONNECTOR:X-967616-X
- 3. APPLICATION TEST SPEC:MS 210-12(EXCEPT 4.4)

BLACK	PA66	0-1897096-2
COLOR	MATERIAL	P/N

THIS DRAWING IS A CONTROLLED DOCUMENT.		DWN SJ CHOI	<b>TE Connectivity</b>														
DIMENSIONS: mm		CHK JW JUNG				NAME											
TOLERANCES UNLESS OTHERWISE SPECIFIED:		APVD HG CHO	PRODUCT SPEC														
<table border="1"> <tr><td>0 PLC</td><td>± -</td></tr> <tr><td>1 PLC</td><td>± -</td></tr> <tr><td>2 PLC</td><td>± -</td></tr> <tr><td>3 PLC</td><td>± -</td></tr> <tr><td>4 PLC</td><td>± -</td></tr> <tr><td>ANGLES</td><td>±</td></tr> </table>		0 PLC	± -	1 PLC	± -	2 PLC	± -	3 PLC	± -	4 PLC	± -	ANGLES	±	APPLICATION SPEC		RESTRICTED TO	
0 PLC	± -																
1 PLC	± -																
2 PLC	± -																
3 PLC	± -																
4 PLC	± -																
ANGLES	±																
MATERIAL SEE TABLE		FINISH	WEIGHT	SIZE A3	CAGE CODE 00779												
CUSTOMER DRAWING			DRAWING NO C-1897096	SCALE 2:1	SHEET 1 OF 1												
			REV C														