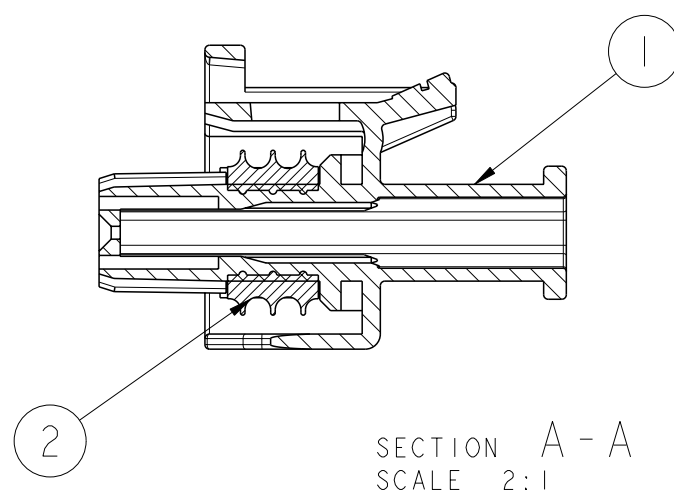
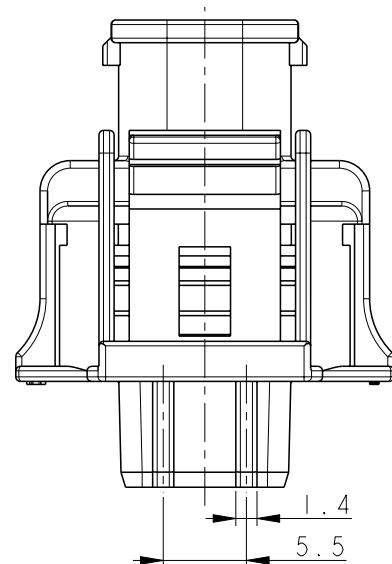
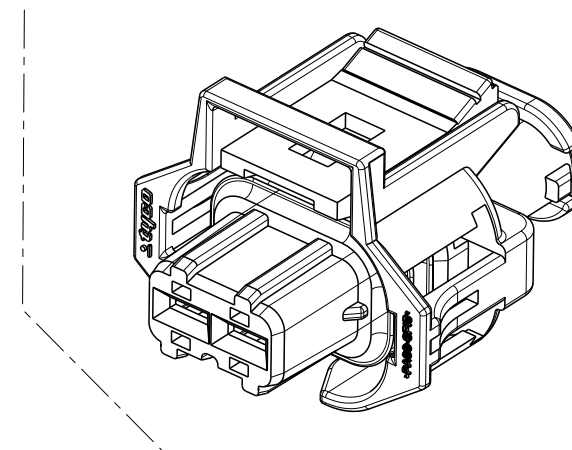


REVISIONS

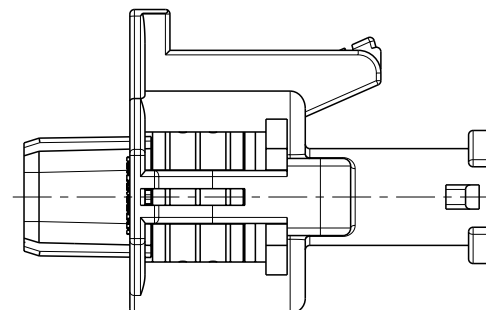
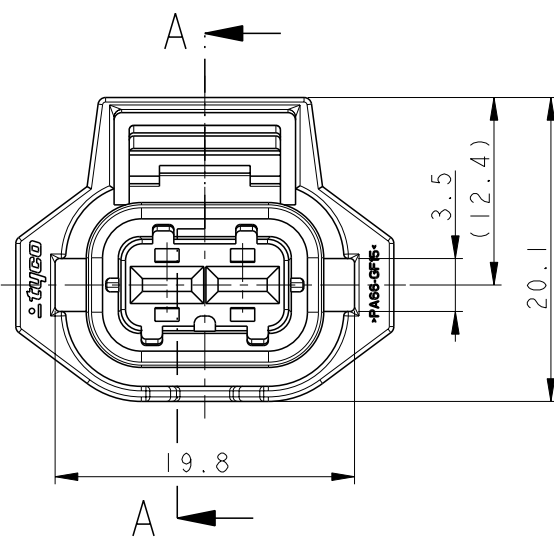
P	LTR	DESCRIPTION	DATE	DWN	APVD
A		RELEASED	03.APR.'07	IS	JK
B		REVISED (ECR-08-006473)	10.MAR.'08	KT	HG
BI		REVISED (ECR-16-013586)	23SEP2016	JM	JW
CI		REVISED (ECR-18-004074)	16.NOV.2018	JS	KT



SECTION A - A
SCALE 2:1



ISO VIEW



NOTE

- GENERAL TOLERANCE: ± 0.3 , $\pm 3^\circ$
- 0.15 MAX. WARPAGE AND 0.2 MAX. FLASH ARE PERMISSIBLE
- SURFACE DEFECTS ARE NOT ACCEPTABLE AS FOLLOW: SINK, WELD LINES, HAIRCRACKS, STAINS & SCORES
- APPLIED RECEPTACLE CONTACT P/N:

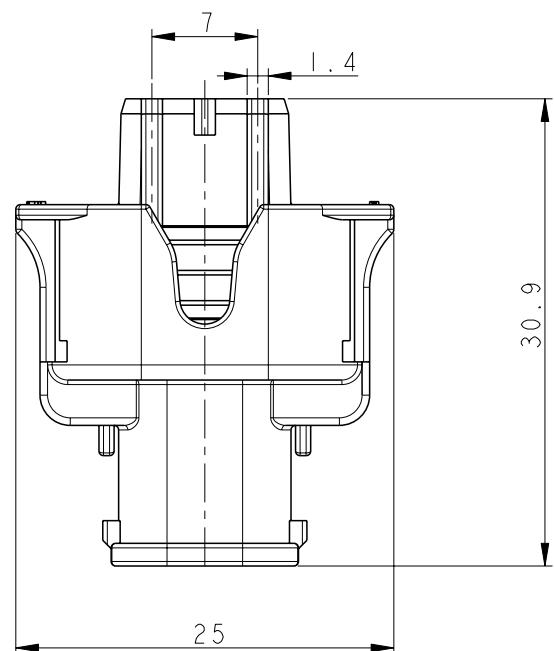
DESCRIPTION	2.8mm SENSOR-FLAT RECEPTACLE	
P/N	967542	967543
WIRE SIZE(SQ)	0.5 ~ 1.0	1.25 ~ 2.5

- APPLIED WIRE SEAL P/N:

DESCRIPTION	SINGLE-WIRE SEAL (5mm HOLE)		
P/N	828904	828905	368299
INSULATION DIA(ϕ)	1.2 ~ 2.1	2.2 ~ 3.0	2.6 ~ 3.3

- APPLIED PRODUCTS;

- ⓑ1 -COVER HSG (P/N: 936111)
- DBL HSG (P/N: 936103)



NO	COLOR	MATERIAL	DESCRIPTION	P/N	QTY
ⓑ	2 ORANGE	SILICONE	INNER SEAL	1743969-1	1
	1 DARK GRAY	PA66-GF15	PLUG HSG	1897018-3	1

ASS'Y P/N
1897017-3

THIS DRAWING IS A CONTROLLED DOCUMENT.		DWN JM JEON			
DIMENSIONS: mm		CHK -			
TOLERANCES UNLESS OTHERWISE SPECIFIED:		APVD JW JUNG	NAME		
0 PLC \pm		PRODUCT SPEC	2.8mm SEALED 2P PLUG ASSEMBLY (INJECTOR CONNECTOR)		
1 PLC \pm		APPLICATION SPEC	SIZE	CAGE CODE	DRAWING NO
2 PLC \pm		WEIGHT	A3	00779	C-1897017
3 PLC \pm		CUSTOMER DRAWING	RESTRICTED TO		
4 PLC \pm		SCALE 1:1	SHEET 1 OF 1		
ANGLES \pm		REV C1			
FINISH					
SEE TABLE					