

THIS DRAWING IS UNPUBLISHED. RELEASED FOR PUBLICATION 2005
 © COPYRIGHT 2005 BY TYCO ELECTRONICS CORPORATION. ALL RIGHTS RESERVED.

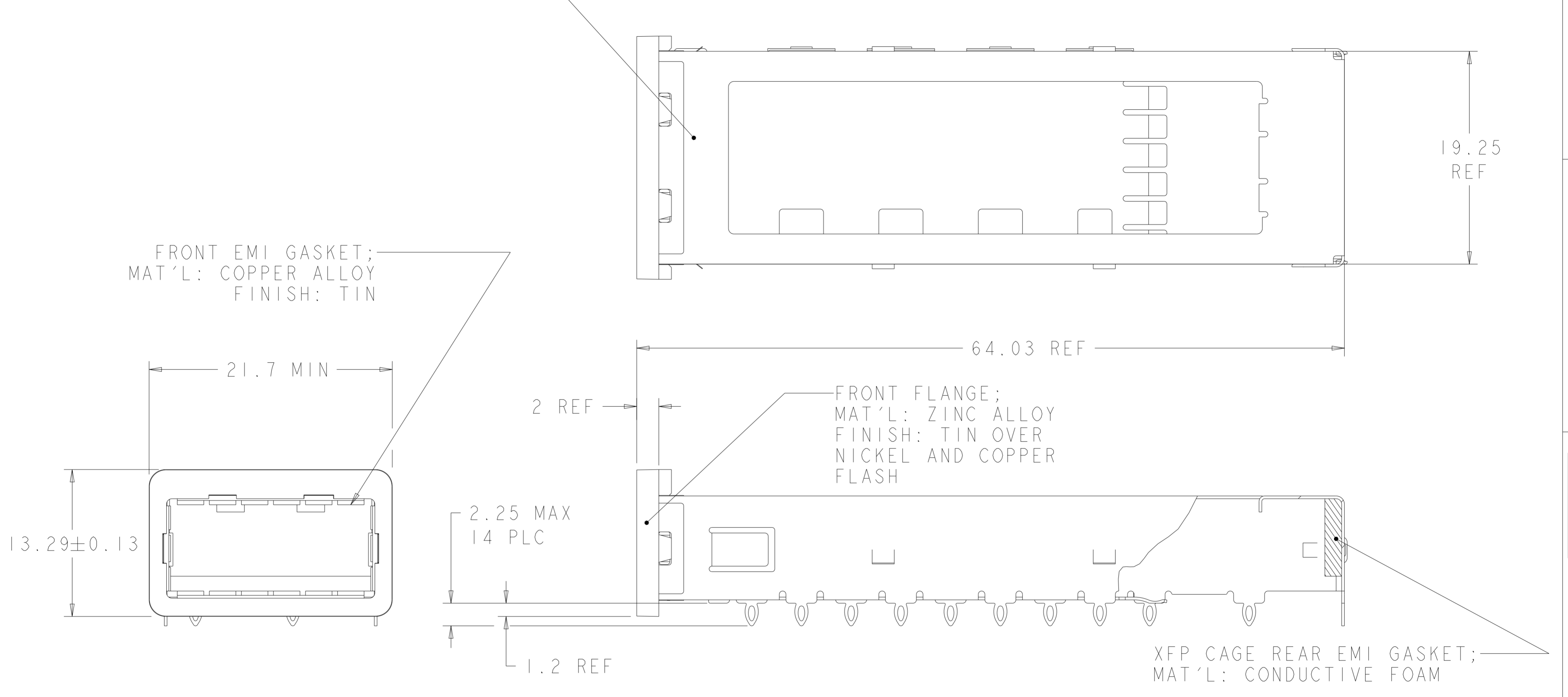
LOC	DIST	REVISIONS					
ES	00	P	LTR	DESCRIPTION	DATE	DWN	APVD
		A		REVISED PER ECO-06-010981	31MAY06	BM	JK
		AI		REVISED ECR-08-009797	15MAY08	A.Z.	S.Y.
		B		REVISED PER ECO-11-005032	11MAR2011	JY	CW
		C		REVISED PER ECN-23-243336	15DEC2023	-	-

XFP CAGE
 MAT'L: COPPER ALLOY
 FINISH: TIN

FRONT EMI GASKET;
 MAT'L: COPPER ALLOY
 FINISH: TIN

FRONT FLANGE;
 MAT'L: ZINC ALLOY
 FINISH: TIN OVER
 NICKEL AND COPPER
 FLASH

XFP CAGE REAR EMI GASKET;
 MAT'L: CONDUCTIVE FOAM



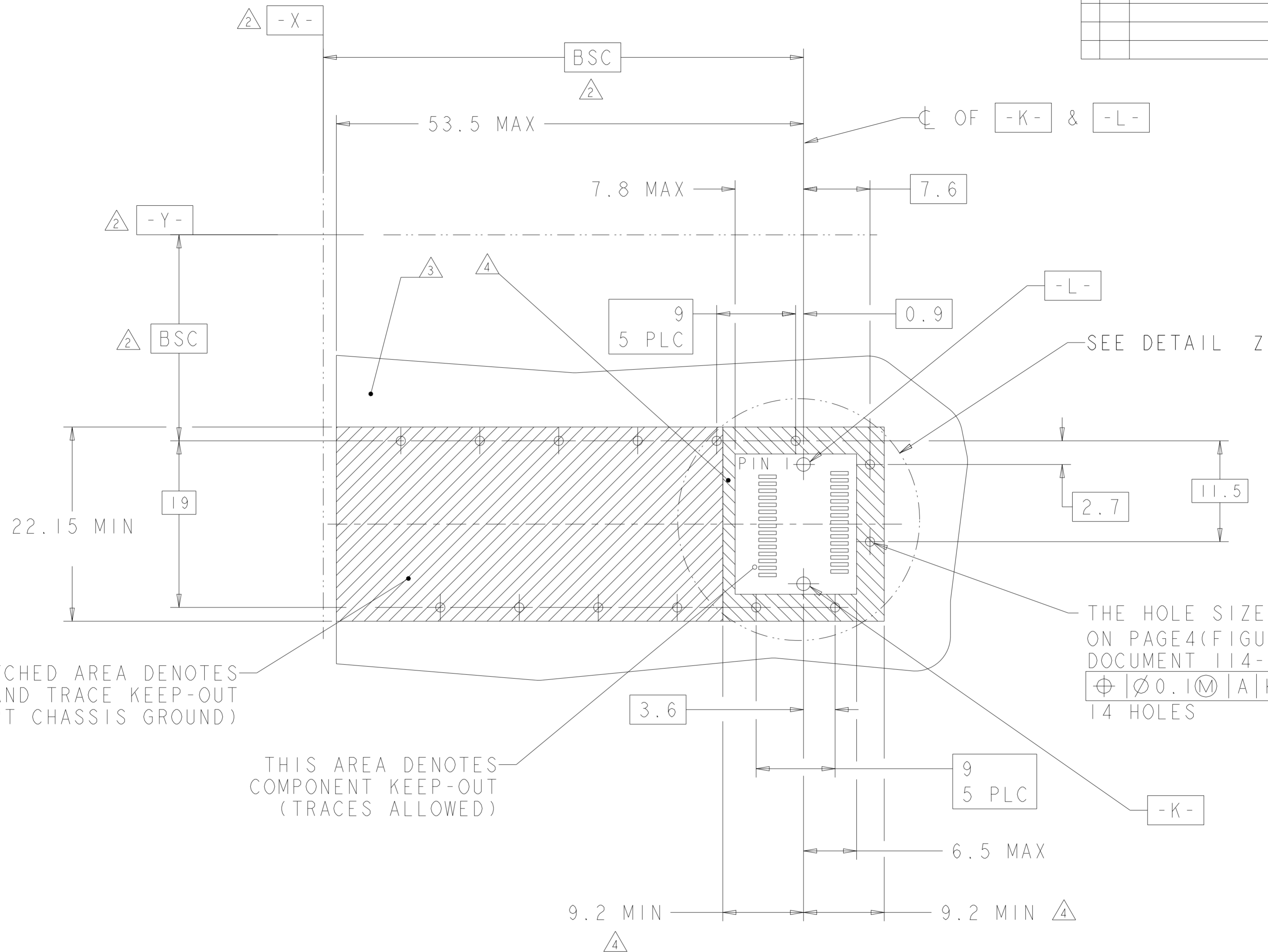
- ① MATES WITH XFP-MSA COMPLIANT TRANSCEIVERS.
- ② DATUM -X- AND -Y- ESTABLISHED BY CUSTOMER.
- ③ DATUM -A- IS TOP SURFACE OF HOST BOARD.
- ④ INDICATED SURFACES TO BE CONDUCTIVE AND CONNECTED TO CHASSIS GROUND.

1888101-1
 PART NUMBER

THIS DRAWING IS A CONTROLLED DOCUMENT FOR TYCO ELECTRONICS CORPORATION. IT IS SUBJECT TO CHANGE AND THE CONTROLLING ENGINEERING ORGANIZATION SHOULD BE CONTACTED FOR THE LATEST REVISION.		DWN E BRIANT 07OCT2005	Tyco Electronics Shanghai, China	
DIMENSIONS: mm		CHK J KOPPENHEFFER 07OCT2005	NAME CAGE ASSEMBLY, 10 GIGABIT, XFP W/O GASKET	
TOLERANCES UNLESS OTHERWISE SPECIFIED: 0 PLC ±- 1 PLC ±.1 2 PLC ±.01 3 PLC ±.001 4 PLC ±.0001 ANGLES ±- FINISH		APVD M WALMSLEY 07OCT2005	PRODUCT SPEC 108-2127	RESTRICTED TO -
MATERIAL -		APPLICATION SPEC 114-13096	WEIGHT -	SIZE A2
		CUSTOMER DRAWING	SCALE 4	SHEET 1 OF 3
				REV C

THIS DRAWING IS UNPUBLISHED. RELEASED FOR PUBLICATION 2005
 © COPYRIGHT 2005 BY TYCO ELECTRONICS CORPORATION. ALL RIGHTS RESERVED.

LOC	DIST	REVISIONS					
ES	00	P	LTR	DESCRIPTION	DATE	DWN	APVD
		-		SEE SHEET 1	-	-	-



CROSS-HATCHED AREA DENOTES COMPONENT AND TRACE KEEP-OUT (EXCEPT CHASSIS GROUND)

THIS AREA DENOTES COMPONENT KEEP-OUT (TRACES ALLOWED)

THE HOLE SIZE IS RECOMMENDED ON PAGE 4 (FIGURE 3) OF TE DOCUMENT 114-13096

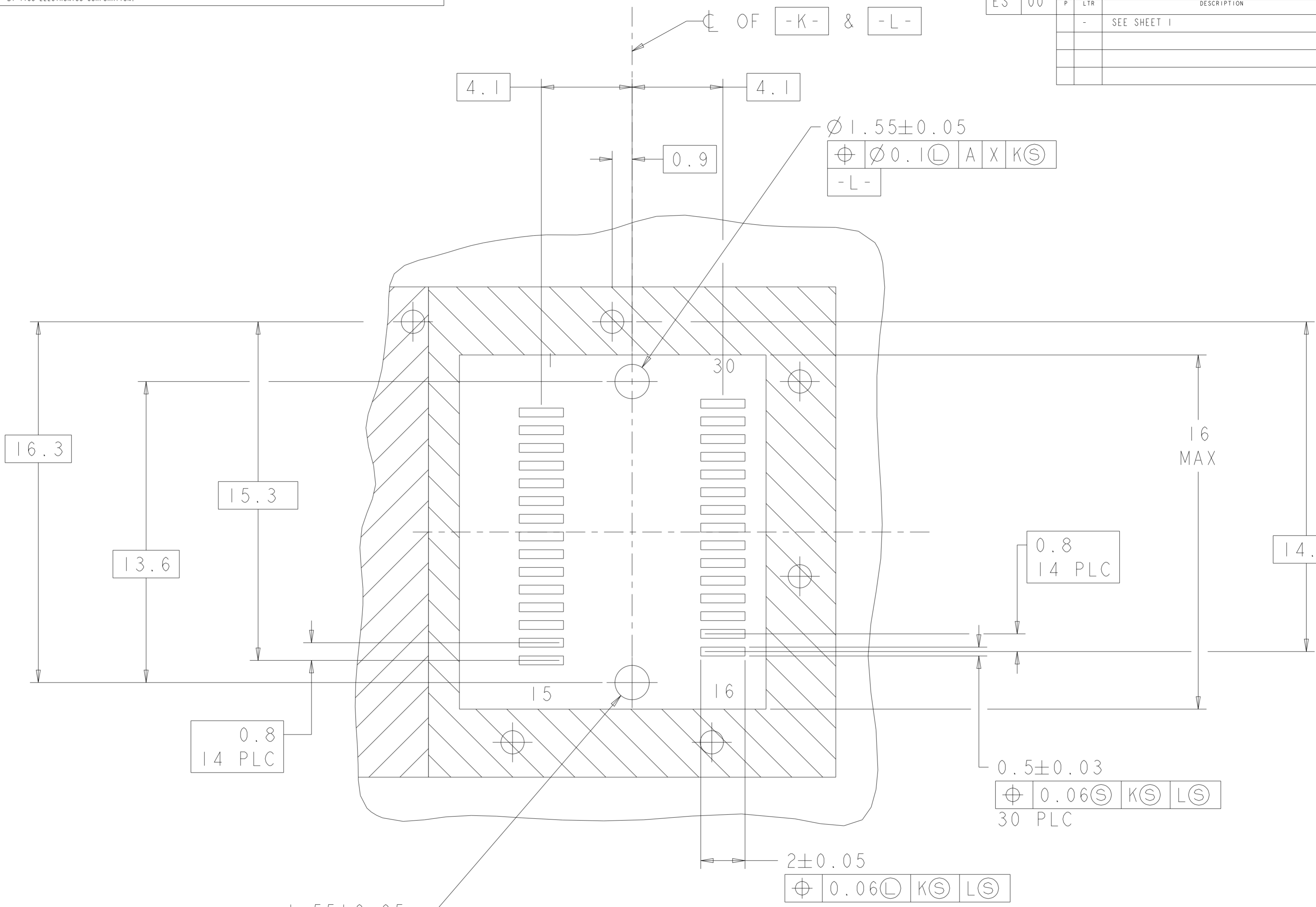
$\varnothing 0.1 \text{ (M)} \text{ (A)} \text{ (K)} \text{ (S)} \text{ (L)} \text{ (S)}$
14 HOLES

DETAILED HOST BOARD MECHANICAL LAYOUT

THIS DRAWING IS A CONTROLLED DOCUMENT FOR TYCO ELECTRONICS CORPORATION. IT IS SUBJECT TO CHANGE AND THE CONTROLLING ENGINEERING ORGANIZATION SHOULD BE CONTACTED FOR THE LATEST REVISION.		DWN E BRIANT 07OCT2005	Tyco Electronics Shanghai, China	
DIMENSIONS: mm		CHK J KOPPENHEFFER 07OCT2005	NAME CAGE ASSEMBLY, 10 GIGABIT, XFP W/O GASKET	
TOLERANCES UNLESS OTHERWISE SPECIFIED: 0 PLC ± 1 PLC ±.1 2 PLC ±.01 3 PLC ±.001 4 PLC ±.0001 ANGLES ± FINISH		APVD M WALMSLEY 07OCT2005	SIZE A2	
MATERIAL		PRODUCT SPEC 108-2127	CAGE CODE 00779	DRAWING NO C-1888101
		APPLICATION SPEC 114-13096	RESTRICTED TO -	
		WEIGHT -	SCALE 4	SHEET 2 OF 3
		CUSTOMER DRAWING	REV C	

THIS DRAWING IS UNPUBLISHED. RELEASED FOR PUBLICATION 2005
 © COPYRIGHT 2005 BY TYCO ELECTRONICS CORPORATION. ALL RIGHTS RESERVED.

LOC	DIST	REVISIONS					
ES	00	P	LTR	DESCRIPTION	DATE	DWN	APVD
		-		SEE SHEET 1	-	-	-



1.55 ± 0.05
 $\oplus \varnothing 0.1 \text{ (L) AX Y}$
 -K-

DETAIL Z
 SCALE 8:1

DETAILED HOST BOARD MECHANICAL LAYOUT

<small>THIS DRAWING IS A CONTROLLED DOCUMENT FOR TYCO ELECTRONICS CORPORATION. IT IS SUBJECT TO CHANGE AND THE CONTROLLING ENGINEERING ORGANIZATION SHOULD BE CONTACTED FOR THE LATEST REVISION.</small>		DWN E BRIANT 07OCT2005 CHK J KOPPENHEFFER APVD M WALMSLEY 07OCT2005	Tyco Electronics Shanghai, China
DIMENSIONS: mm 	TOLERANCES UNLESS OTHERWISE SPECIFIED: 0 PLC ± 1 PLC ±.1 2 PLC ±.01 3 PLC ±.001 4 PLC ±.0001 ANGLES ± FINISH	PRODUCT SPEC 108-2127 APPLICATION SPEC 114-13096 WEIGHT - CUSTOMER DRAWING	NAME CAGE ASSEMBLY, 10 GIGABIT, XFP W/O GASKET SIZE A2 CAGE CODE 00779 DRAWING NO C-1888101 RESTRICTED TO - SCALE 4 SHEET 3 OF 3 REV C