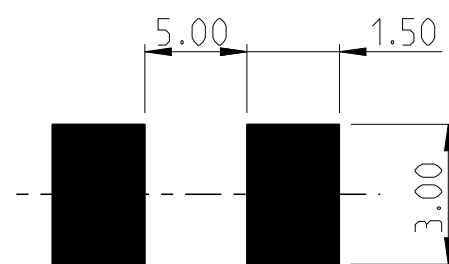
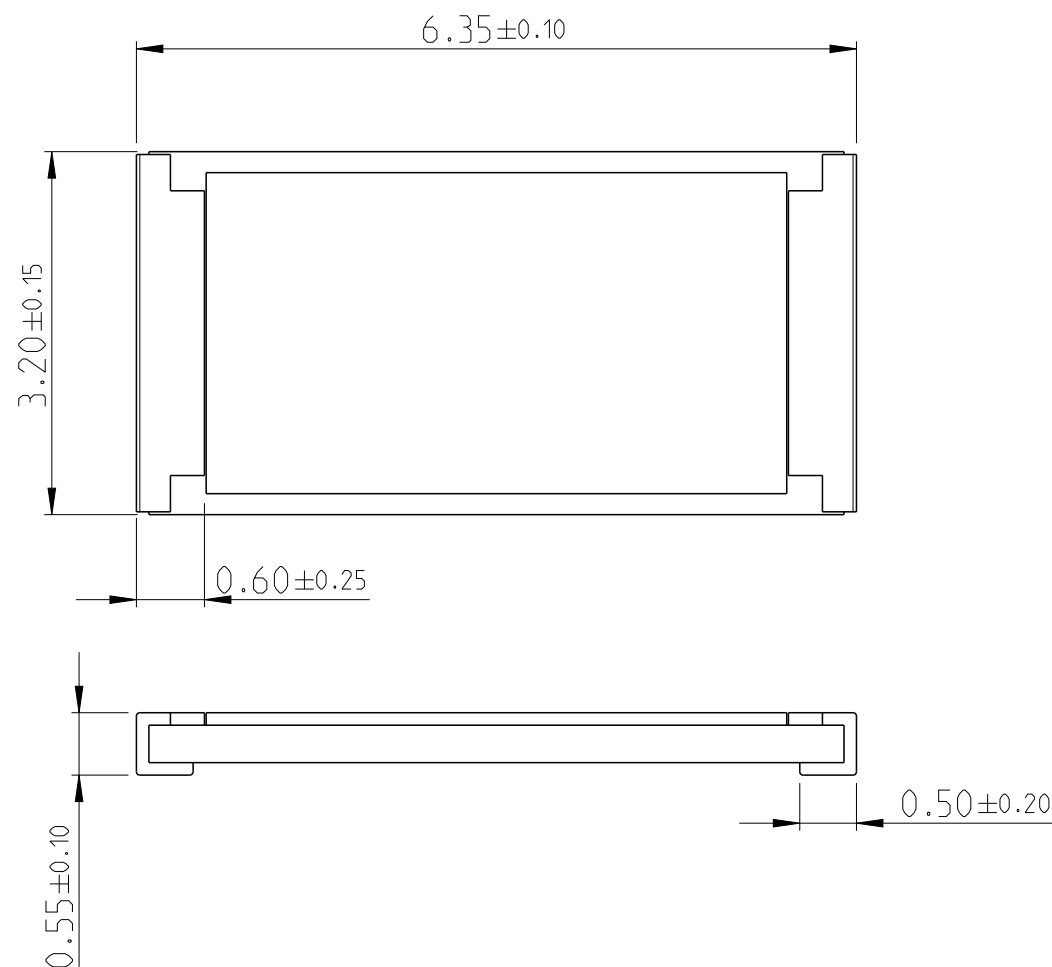


REVISIONS

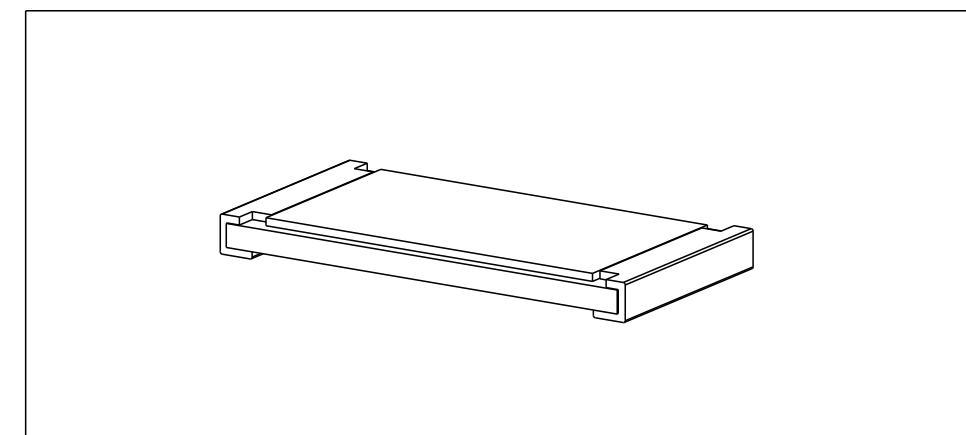
P	LTR	DESCRIPTION	DATE	DWN	APVD
	BC	ECR-16-000788	18JAN2016	KR	TN
	BC1	ECR-22-127236	21JAN2022	KS	TG

FOR FURTHER INFORMATION SEE PRODUCT SPECIFICATION FOR CRGH SERIES



PCB LAYOUT PLAN

RoHS Compliant




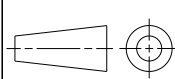
THIS DRAWING IS A CONTROLLED DOCUMENT.		DWN RAGHAVENDRA K 27 JUN 2012		
DIMENSIONS: mm		CHK ALLAN P 27 JUN 2012		
TOLERANCES UNLESS OTHERWISE SPECIFIED:		APVD TONY N 27 JUN 2012	NAME SMD POWER RESISTORS - TYPE CRGH2512 SERIES	
		PRODUCT SPEC -	APPLICATION SPEC -	
MATERIAL -		FINISH -	WEIGHT -	RESTRICTED TO -
			SIZE A3	CAGE CODE 00779
			DRAWING NO C-1879527	
			SCALE 40:1	SHEET 1 OF 1
				REV BC1

REVISIONS

P	LTR	DESCRIPTION	DATE	DWN	APVD
-		SEE SHEET 1	-	-	-

TCPN	PART DESCRIPTION	ALIAS
1879527-1	CRGH2512 1% 133K 2W	CRGH2512F133K
1879527-2	CRGH2512 1% 137K 2W	CRGH2512F137K
1879527-3	CRGH2512 1% 140K 2W	CRGH2512F140K
1879527-4	CRGH2512 1% 143K 2W	CRGH2512F143K
1879527-5	CRGH2512 1% 147K 2W	CRGH2512F147K
1879527-6	CRGH2512 1% 150K 2W	CRGH2512F150K
1879527-7	CRGH2512 1% 154K 2W	CRGH2512F154K
1879527-8	CRGH2512 1% 158K 2W	CRGH2512F158K
1879527-9	CRGH2512 1% 162K 2W	CRGH2512F162K
1-1879527-0	CRGH2512 1% 165K 2W	CRGH2512F165K
1-1879527-1	CRGH2512 1% 169K 2W	CRGH2512F169K
1-1879527-2	CRGH2512 1% 174K 2W	CRGH2512F174K
1-1879527-3	CRGH2512 1% 178K 2W	CRGH2512F178K
1-1879527-4	CRGH2512 1% 182K 2W	CRGH2512F182K
1-1879527-5	CRGH2512 1% 187K 2W	CRGH2512F187K
1-1879527-6	CRGH2512 1% 191K 2W	CRGH2512F191K
1-1879527-7	CRGH2512 1% 196K 2W	CRGH2512F196K
1-1879527-8	CRGH2512 1% 200K 2W	CRGH2512F200K
1-1879527-9	CRGH2512 1% 205K 2W	CRGH2512F205K
2-1879527-0	CRGH2512 1% 210K 2W	CRGH2512F210K
2-1879527-1	CRGH2512 1% 215K 2W	CRGH2512F215K
2-1879527-2	CRGH2512 1% 221K 2W	CRGH2512F221K
2-1879527-3	CRGH2512 1% 226K 2W	CRGH2512F226K
2-1879527-4	CRGH2512 1% 232K 2W	CRGH2512F232K
2-1879527-5	CRGH2512 1% 237K 2W	CRGH2512F237K
2-1879527-6	CRGH2512 1% 243K 2W	CRGH2512F243K
2-1879527-7	CRGH2512 1% 249K 2W	CRGH2512F249K
2-1879527-8	CRGH2512 1% 255K 2W	CRGH2512F255K
2-1879527-9	CRGH2512 1% 261K 2W	CRGH2512F261K
3-1879527-0	CRGH2512 1% 267K 2W	CRGH2512F267K


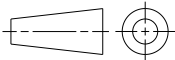
TCPN	PART DESCRIPTION	ALIAS
3-1879527-1	CRGH2512 1% 274K 2W	CRGH2512F274K
3-1879527-2	CRGH2512 1% 280K 2W	CRGH2512F280K
3-1879527-3	CRGH2512 1% 287K 2W	CRGH2512F287K
3-1879527-4	CRGH2512 1% 294K 2W	CRGH2512F294K
3-1879527-5	CRGH2512 1% 301K 2W	CRGH2512F301K
3-1879527-6	CRGH2512 1% 309K 2W	CRGH2512F309K
3-1879527-7	CRGH2512 1% 316K 2W	CRGH2512F316K
3-1879527-8	CRGH2512 1% 324K 2W	CRGH2512F324K
3-1879527-9	CRGH2512 1% 332K 2W	CRGH2512F332K
4-1879527-0	CRGH2512 1% 340K 2W	CRGH2512F340K
4-1879527-1	CRGH2512 1% 348K 2W	CRGH2512F348K
4-1879527-2	CRGH2512 1% 357K 2W	CRGH2512F357K
4-1879527-3	CRGH2512 1% 365K 2W	CRGH2512F365K
4-1879527-4	CRGH2512 1% 374K 2W	CRGH2512F374K
4-1879527-5	CRGH2512 1% 383K 2W	CRGH2512F383K
4-1879527-6	CRGH2512 1% 392K 2W	CRGH2512F392K
4-1879527-7	CRGH2512 1% 402K 2W	CRGH2512F402K
4-1879527-8	CRGH2512 1% 412K 2W	CRGH2512F412K
4-1879527-9	CRGH2512 1% 422K 2W	CRGH2512F422K
5-1879527-0	CRGH2512 1% 432K 2W	CRGH2512F432K
5-1879527-1	CRGH2512 1% 442K 2W	CRGH2512F442K
5-1879527-2	CRGH2512 1% 453K 2W	CRGH2512F453K
5-1879527-3	CRGH2512 1% 464K 2W	CRGH2512F464K
5-1879527-4	CRGH2512 1% 475K 2W	CRGH2512F475K
5-1879527-5	CRGH2512 1% 487K 2W	CRGH2512F487K
5-1879527-6	CRGH2512 1% 499K 2W	CRGH2512F499K
5-1879527-7	CRGH2512 1% 511K 2W	CRGH2512F511K
5-1879527-8	CRGH2512 1% 523K 2W	CRGH2512F523K
5-1879527-9	CRGH2512 1% 536K 2W	CRGH2512F536K
6-1879527-0	CRGH2512 1% 549K 2W	CRGH2512F549K

THIS DRAWING IS A CONTROLLED DOCUMENT.		DWN RAGHAVENDRA K 27 JUN 2012	 TE Connectivity	
DIMENSIONS: mm		CHK ALLAN P 27 JUN 2012		
		TOLERANCES UNLESS OTHERWISE SPECIFIED:	NAME SMD POWER RESISTORS - TYPE CRGH2512 SERIES	
MATERIAL		0 PLC ± 1 PLC ±0.5 2 PLC ±0.13 3 PLC ±0.013 4 PLC ±0.0001 ANGLES ±	PRODUCT SPEC	
FINISH		-	APPLICATION SPEC	
-		WEIGHT	SIZE A3	CAGE CODE 00779
-		CUSTOMER DRAWING	DRAWING NO C-1879527	RESTRICTED TO -
		SCALE 40:1	SHEET 1 OF 1	REV BC1

REVISIONS

P	LTR	DESCRIPTION	DATE	DWN	APVD
	-	SEE SHEET 1	-	-	-

TCPN	PART DESCRIPTION	ALIAS
6-1879527-1	CRGH2512 1% 562K 2W	CRGH2512F562K
6-1879527-2	CRGH2512 1% 576K 2W	CRGH2512F576K
6-1879527-3	CRGH2512 1% 590K 2W	CRGH2512F590K
6-1879527-4	CRGH2512 1% 604K 2W	CRGH2512F604K
6-1879527-5	CRGH2512 1% 619K 2W	CRGH2512F619K
6-1879527-6	CRGH2512 1% 634K 2W	CRGH2512F634K
6-1879527-7	CRGH2512 1% 649K 2W	CRGH2512F649K
6-1879527-8	CRGH2512 1% 665K 2W	CRGH2512F665K
6-1879527-9	CRGH2512 1% 681K 2W	CRGH2512F681K
7-1879527-0	CRGH2512 1% 698K 2W	CRGH2512F698K
7-1879527-1	CRGH2512 1% 715K 2W	CRGH2512F715K
7-1879527-2	CRGH2512 1% 732K 2W	CRGH2512F732K
7-1879527-3	CRGH2512 1% 750K 2W	CRGH2512F750K
7-1879527-4	CRGH2512 1% 768K 2W	CRGH2512F768K
7-1879527-5	CRGH2512 1% 787K 2W	CRGH2512F787K
7-1879527-6	CRGH2512 1% 806K 2W	CRGH2512F806K
7-1879527-7	CRGH2512 1% 825K 2W	CRGH2512F825K
7-1879527-8	CRGH2512 1% 845K 2W	CRGH2512F845K
7-1879527-9	CRGH2512 1% 866K 2W	CRGH2512F866K
8-1879527-0	CRGH2512 1% 887K 2W	CRGH2512F887K
8-1879527-1	CRGH2512 1% 909K 2W	CRGH2512F909K
8-1879527-2	CRGH2512 1% 931K 2W	CRGH2512F931K
8-1879527-3	CRGH2512 1% 953K 2W	CRGH2512F953K
8-1879527-4	CRGH2512 1% 976K 2W	CRGH2512F976K
8-1879527-5	CRGH2512 1% 1M0 2W	CRGH2512F1M0
8-1879527-6	CRGH2512 1% 4R99 2W	CRGH2512F4R99

THIS DRAWING IS A CONTROLLED DOCUMENT.		DWN RAGHAVENDRA K 27 JUN 2012	 TE Connectivity	
DIMENSIONS: mm		CHK ALLAN P 27 JUN 2012		
		APVD TONY N 27 JUN 2012	NAME SMD POWER RESISTORS - TYPE CRGH2512 SERIES	
TOLERANCES UNLESS OTHERWISE SPECIFIED: 0 PLC ±- 1 PLC ±0.5 2 PLC ±0.13 3 PLC ±0.013 4 PLC ±0.0001 ANGLES ±		PRODUCT SPEC -	APPLICATION SPEC -	
MATERIAL -		FINISH -	WEIGHT -	RESTRICTED TO -
CUSTOMER DRAWING			SCALE 40:1	SHEET 1 OF 1
			REV BC1	