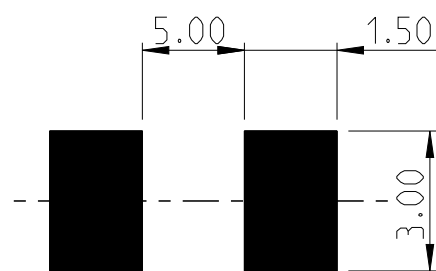
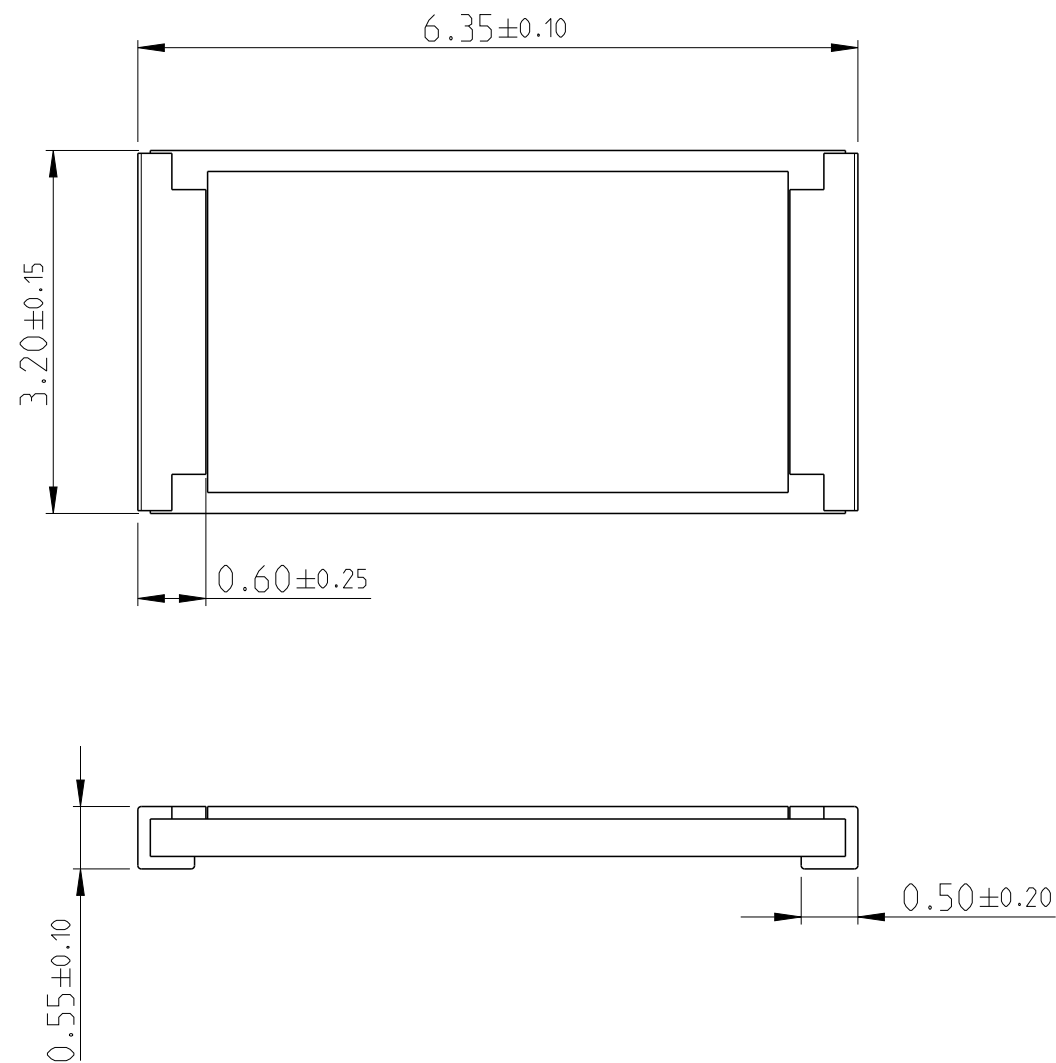


REVISIONS

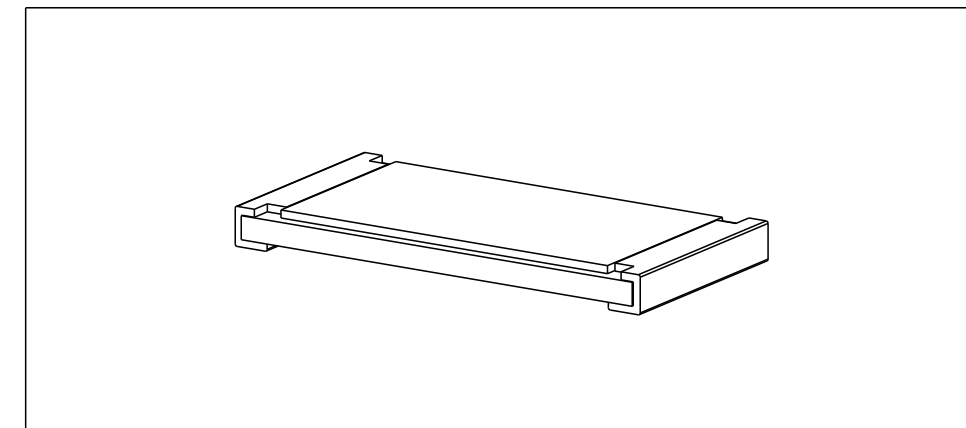
P	LTR	DESCRIPTION	DATE	DWN	APVD
	BC	ECR-16-000788	18JAN2016	KR	TN
	BC1	ECR-22-127236	21JAN2022	KS	TG

FOR FURTHER INFORMATION SEE PRODUCT SPECIFICATION FOR CRGH SERIES



PCB LAYOUT PLAN

RoHS Compliant




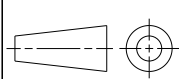
THIS DRAWING IS A CONTROLLED DOCUMENT.		DWN RAGHAVENDRA K 27 JUN 2012																
DIMENSIONS: mm		CHK ALLAN P 27 JUN 2012																
TOLERANCES UNLESS OTHERWISE SPECIFIED:		APVD TONY N 27 JUN 2012	NAME SMD POWER RESISTORS - TYPE CRGH2512 SERIES															
		PRODUCT SPEC -	APPLICATION SPEC -															
<table border="1"> <tr> <td>0 PLC</td> <td>±</td> </tr> <tr> <td>1 PLC</td> <td>±0.5</td> </tr> <tr> <td>2 PLC</td> <td>±0.13</td> </tr> <tr> <td>3 PLC</td> <td>±0.013</td> </tr> <tr> <td>4 PLC</td> <td>±0.0001</td> </tr> <tr> <td>ANGLES</td> <td>±</td> </tr> </table>		0 PLC	±	1 PLC	±0.5	2 PLC	±0.13	3 PLC	±0.013	4 PLC	±0.0001	ANGLES	±	WEIGHT -	SIZE A3	CAGE CODE 00779	DRAWING NO C-1879525	RESTRICTED TO -
0 PLC	±																	
1 PLC	±0.5																	
2 PLC	±0.13																	
3 PLC	±0.013																	
4 PLC	±0.0001																	
ANGLES	±																	
MATERIAL -		FINISH -	CUSTOMER DRAWING		SCALE 40:1	SHEET 1 OF 1	REV BC1											

REVISIONS

P	LTR	DESCRIPTION	DATE	DWN	APVD
	-	SEE SHEET 1	-	-	-

TCPN	PART DESCRIPTION	ALIAS
1879525-1	CRGH2512 1% 1K15 2W	CRGH2512F1K15
1879525-2	CRGH2512 1% 1K18 2W	CRGH2512F1K18
1879525-3	CRGH2512 1% 1K21 2W	CRGH2512F1K21
1879525-4	CRGH2512 1% 1K24 2W	CRGH2512F1K24
1879525-5	CRGH2512 1% 1K27 2W	CRGH2512F1K27
1879525-6	CRGH2512 1% 1K3 2W	CRGH2512F1K3
1879525-7	CRGH2512 1% 1K33 2W	CRGH2512F1K33
1879525-8	CRGH2512 1% 1K37 2W	CRGH2512F1K37
1879525-9	CRGH2512 1% 1K4 2W	CRGH2512F1K4
1-1879525-0	CRGH2512 1% 1K43 2W	CRGH2512F1K43
1-1879525-1	CRGH2512 1% 1K47 2W	CRGH2512F1K47
1-1879525-2	CRGH2512 1% 1K5 2W	CRGH2512F1K5
1-1879525-3	CRGH2512 1% 1K54 2W	CRGH2512F1K54
1-1879525-4	CRGH2512 1% 1K58 2W	CRGH2512F1K58
1-1879525-5	CRGH2512 1% 1K62 2W	CRGH2512F1K62
1-1879525-6	CRGH2512 1% 1K65 2W	CRGH2512F1K65
1-1879525-7	CRGH2512 1% 1K69 2W	CRGH2512F1K69
1-1879525-8	CRGH2512 1% 1K74 2W	CRGH2512F1K74
1-1879525-9	CRGH2512 1% 1K78 2W	CRGH2512F1K78
2-1879525-0	CRGH2512 1% 1K82 2W	CRGH2512F1K82
2-1879525-1	CRGH2512 1% 1K87 2W	CRGH2512F1K87
2-1879525-2	CRGH2512 1% 1K91 2W	CRGH2512F1K91
2-1879525-3	CRGH2512 1% 1K96 2W	CRGH2512F1K96
2-1879525-4	CRGH2512 1% 2K0 2W	CRGH2512F2K0
2-1879525-5	CRGH2512 1% 2K05 2W	CRGH2512F2K05
2-1879525-6	CRGH2512 1% 2K1 2W	CRGH2512F2K1
2-1879525-7	CRGH2512 1% 2K15 2W	CRGH2512F2K15
2-1879525-8	CRGH2512 1% 2K21 2W	CRGH2512F2K21
2-1879525-9	CRGH2512 1% 2K26 2W	CRGH2512F2K26
3-1879525-0	CRGH2512 1% 2K32 2W	CRGH2512F2K32

TCPN	PART DESCRIPTION	ALIAS
3-1879525-1	CRGH2512 1% 2K37 2W	CRGH2512F2K37
3-1879525-2	CRGH2512 1% 2K43 2W	CRGH2512F2K43
3-1879525-3	CRGH2512 1% 2K49 2W	CRGH2512F2K49
3-1879525-4	CRGH2512 1% 2K55 2W	CRGH2512F2K55
3-1879525-5	CRGH2512 1% 2K61 2W	CRGH2512F2K61
3-1879525-6	CRGH2512 1% 2K67 2W	CRGH2512F2K67
3-1879525-7	CRGH2512 1% 2K74 2W	CRGH2512F2K74
3-1879525-8	CRGH2512 1% 2K8 2W	CRGH2512F2K8
3-1879525-9	CRGH2512 1% 2K87 2W	CRGH2512F2K87
4-1879525-0	CRGH2512 1% 2K94 2W	CRGH2512F2K94
4-1879525-1	CRGH2512 1% 3K01 2W	CRGH2512F3K01
4-1879525-2	CRGH2512 1% 3K09 2W	CRGH2512F3K09
4-1879525-3	CRGH2512 1% 3K16 2W	CRGH2512F3K16
4-1879525-4	CRGH2512 1% 3K24 2W	CRGH2512F3K24
4-1879525-5	CRGH2512 1% 3K32 2W	CRGH2512F3K32
4-1879525-6	CRGH2512 1% 3K4 2W	CRGH2512F3K4
4-1879525-7	CRGH2512 1% 3K48 2W	CRGH2512F3K48
4-1879525-8	CRGH2512 1% 3K57 2W	CRGH2512F3K57
4-1879525-9	CRGH2512 1% 3K65 2W	CRGH2512F3K65
5-1879525-0	CRGH2512 1% 3K74 2W	CRGH2512F3K74
5-1879525-1	CRGH2512 1% 3K83 2W	CRGH2512F3K83
5-1879525-2	CRGH2512 1% 3K92 2W	CRGH2512F3K92
5-1879525-3	CRGH2512 1% 4K02 2W	CRGH2512F4K02
5-1879525-4	CRGH2512 1% 4K12 2W	CRGH2512F4K12
5-1879525-5	CRGH2512 1% 4K22 2W	CRGH2512F4K22
5-1879525-6	CRGH2512 1% 4K32 2W	CRGH2512F4K32
5-1879525-7	CRGH2512 1% 4K42 2W	CRGH2512F4K42
5-1879525-8	CRGH2512 1% 4K53 2W	CRGH2512F4K53
5-1879525-9	CRGH2512 1% 4K64 2W	CRGH2512F4K64
6-1879525-0	CRGH2512 1% 4K75 2W	CRGH2512F4K75


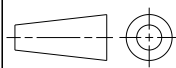
THIS DRAWING IS A CONTROLLED DOCUMENT.		DWN RAGHAVENDRA K 27 JUN 2012	 TE Connectivity	
DIMENSIONS: mm		CHK ALLAN P 27 JUN 2012		
TOLERANCES UNLESS OTHERWISE SPECIFIED:		APVD TONY N 27 JUN 2012	NAME SMD POWER RESISTORS - TYPE CRGH2512 SERIES	
		PRODUCT SPEC -	APPLICATION SPEC -	
MATERIAL -		FINISH -	WEIGHT -	RESTRICTED TO -
CUSTOMER DRAWING			SIZE A3	CAGE CODE 00779
SCALE 40:1			DRAWING NO C-1879525	SHEET 1 OF 1
			REV BC1	

REVISIONS

P	LTR	DESCRIPTION	DATE	DWN	APVD
-		SEE SHEET 1	-	-	-

TCPN	PART DESCRIPTION	ALIAS
6-1879525-1	CRGH2512 1% 4K87 2W	CRGH2512F4K87
6-1879525-2	CRGH2512 1% 4K99 2W	CRGH2512F4K99
6-1879525-3	CRGH2512 1% 5K11 2W	CRGH2512F5K11
6-1879525-4	CRGH2512 1% 5K23 2W	CRGH2512F5K23
6-1879525-5	CRGH2512 1% 5K36 2W	CRGH2512F5K36
6-1879525-6	CRGH2512 1% 5K49 2W	CRGH2512F5K49
6-1879525-7	CRGH2512 1% 5K62 2W	CRGH2512F5K62
6-1879525-8	CRGH2512 1% 5K76 2W	CRGH2512F5K76
6-1879525-9	CRGH2512 1% 5K9 2W	CRGH2512F5K9
7-1879525-0	CRGH2512 1% 6K04 2W	CRGH2512F6K04
7-1879525-1	CRGH2512 1% 6K19 2W	CRGH2512F6K19
7-1879525-2	CRGH2512 1% 6K34 2W	CRGH2512F6K34
7-1879525-3	CRGH2512 1% 6K49 2W	CRGH2512F6K49
7-1879525-4	CRGH2512 1% 6K65 2W	CRGH2512F6K65
7-1879525-5	CRGH2512 1% 6K81 2W	CRGH2512F6K81
7-1879525-6	CRGH2512 1% 6K98 2W	CRGH2512F6K98
7-1879525-7	CRGH2512 1% 7K15 2W	CRGH2512F7K15
7-1879525-8	CRGH2512 1% 7K32 2W	CRGH2512F7K32
7-1879525-9	CRGH2512 1% 7K5 2W	CRGH2512F7K5
8-1879525-0	CRGH2512 1% 7K68 2W	CRGH2512F7K68

TCPN	PART DESCRIPTION	ALIAS
8-1879525-1	CRGH2512 1% 7K87 2W	CRGH2512F7K87
8-1879525-2	CRGH2512 1% 8K06 2W	CRGH2512F8K06
8-1879525-3	CRGH2512 1% 8K25 2W	CRGH2512F8K25
8-1879525-4	CRGH2512 1% 8K45 2W	CRGH2512F8K45
8-1879525-5	CRGH2512 1% 8K66 2W	CRGH2512F8K66
8-1879525-6	CRGH2512 1% 8K87 2W	CRGH2512F8K87
8-1879525-7	CRGH2512 1% 9K09 2W	CRGH2512F9K09
8-1879525-8	CRGH2512 1% 9K31 2W	CRGH2512F9K31
8-1879525-9	CRGH2512 1% 9K53 2W	CRGH2512F9K53
9-1879525-0	CRGH2512 1% 9K76 2W	CRGH2512F9K76
9-1879525-1	CRGH2512 1% 10K 2W	CRGH2512F10K
9-1879525-2	CRGH2512 1% 10K2 2W	CRGH2512F10K2
9-1879525-3	CRGH2512 1% 10K5 2W	CRGH2512F10K5
9-1879525-4	CRGH2512 1% 10K7 2W	CRGH2512F10K7
9-1879525-5	CRGH2512 1% 11K 2W	CRGH2512F11K
9-1879525-6	CRGH2512 1% 11K3 2W	CRGH2512F11K3
9-1879525-7	CRGH2512 1% 11K5 2W	CRGH2512F11K5
9-1879525-8	CRGH2512 1% 11K8 2W	CRGH2512F11K8
9-1879525-9	CRGH2512 1% 12K1 2W	CRGH2512F12K1

THIS DRAWING IS A CONTROLLED DOCUMENT.		DWN RAGHAVENDRA K 27 JUN 2012	 TE Connectivity	
DIMENSIONS: mm		CHK ALLAN P 27 JUN 2012		
		APVD TONY N 27 JUN 2012	NAME SMD POWER RESISTORS - TYPE CRGH2512 SERIES	
TOLERANCES UNLESS OTHERWISE SPECIFIED:		PRODUCT SPEC	-	
0 PLC ±		APPLICATION SPEC	-	
1 PLC ±0.5		WEIGHT	-	
2 PLC ±0.13		SIZE CAGE CODE DRAWING NO RESTRICTED TO		
3 PLC ±0.013		A3 00779 C-1879525		
4 PLC ±0.0001		SCALE SHEET 1 OF 1 REV BC1		
ANGLES ±		CUSTOMER DRAWING		
FINISH		-		
MATERIAL		-		