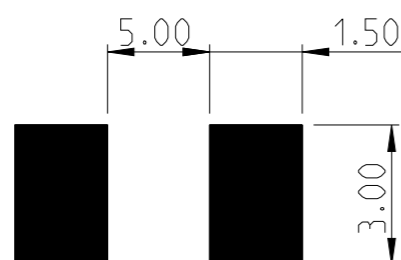
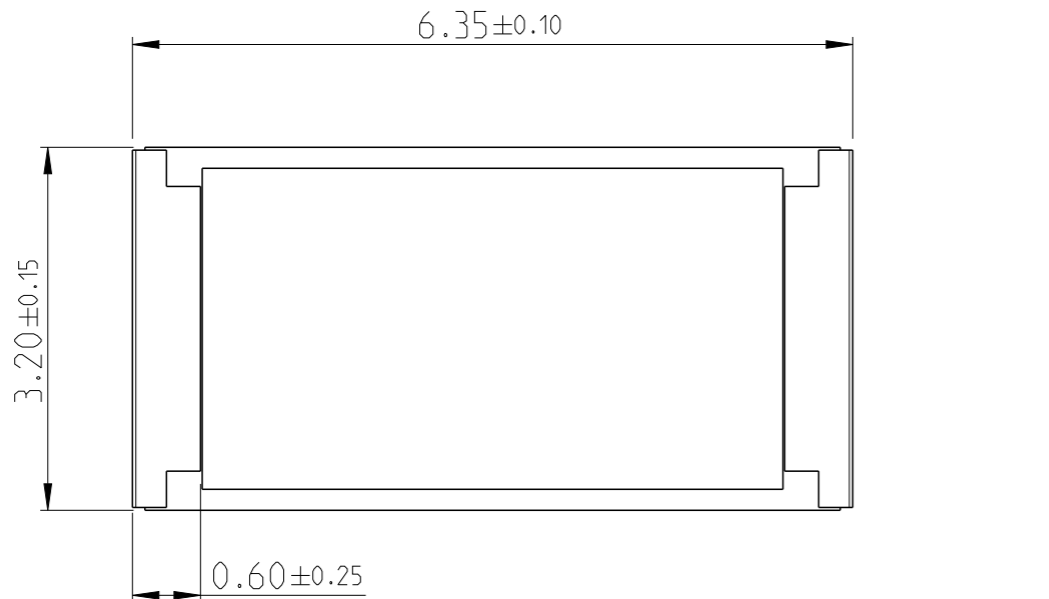


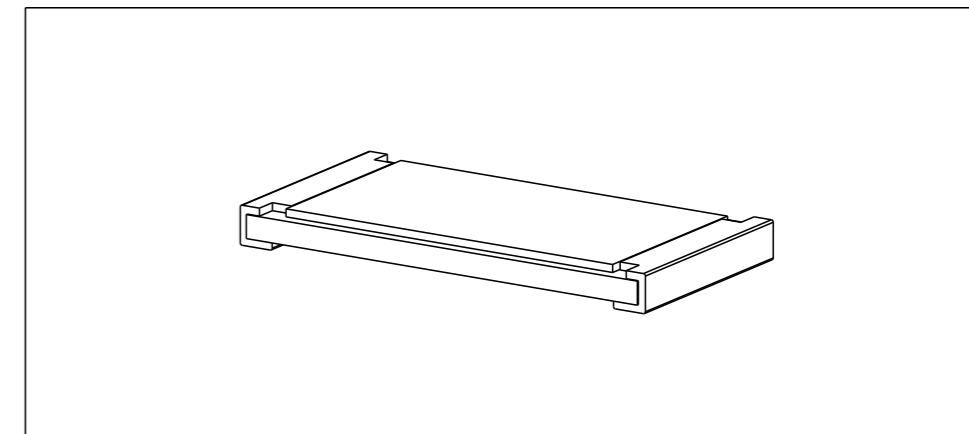
P	LTR	DESCRIPTION	DATE	DWN	APVD
	BC	ECR-16-000748	18JAN2016	KR	TN
	BC1	ECR-22-127236	21JAN2021	KS	TG

FOR FURTHER INFORMATION SEE PRODUCT SPECIFICATION FOR CRGH SERIES



PCB LAYOUT PLAN

RoHS Compliant




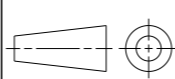
THIS DRAWING IS A CONTROLLED DOCUMENT.		DWN	27 JUN 2012		
		CHK	27 JUN 2012		
		ALLAN P	27 JUN 2012	NAME SMD POWER RESISTORS - TYPE CRGH2512 SERIES	
		APVD	27 JUN 2012		
		TONY N	27 JUN 2012	SIZE CAGE CODE DRAWING NO RESTRICTED TO A3 00779 C-1879524 -	
		PRODUCT SPEC	-		
		APPLICATION SPEC	-	SCALE SHEET OF REV 40:1 1 OF 1 BC1	
		WEIGHT	-		
DIMENSIONS: mm		TOLERANCES UNLESS OTHERWISE SPECIFIED:		CUSTOMER DRAWING	
		0 PLC	±		
		1 PLC	±0.5		
		2 PLC	±0.13		
		3 PLC	±0.013		
		4 PLC	±0.0001		
		ANGLES	±		
MATERIAL		FINISH			
-		-			
-		-			

REVISIONS

P	LTR	DESCRIPTION	DATE	DWN	APVD
	-	SEE SHEET 1	-	-	-

TCPN	PART DESCRIPTION	ALIAS
1879524-1	CRGH2512 1% 107R 2W	CRGH2512F107R
1879524-2	CRGH2512 1% 110R 2W	CRGH2512F110R
1879524-3	CRGH2512 1% 113R 2W	CRGH2512F113R
1879524-4	CRGH2512 1% 115R 2W	CRGH2512F115R
1879524-5	CRGH2512 1% 118R 2W	CRGH2512F118R
1879524-6	CRGH2512 1% 121R 2W	CRGH2512F121R
1879524-7	CRGH2512 1% 124R 2W	CRGH2512F124R
1879524-8	CRGH2512 1% 127R 2W	CRGH2512F127R
1879524-9	CRGH2512 1% 130R 2W	CRGH2512F130R
1-1879524-0	CRGH2512 1% 133R 2W	CRGH2512F133R
1-1879524-1	CRGH2512 1% 137R 2W	CRGH2512F137R
1-1879524-2	CRGH2512 1% 140R 2W	CRGH2512F140R
1-1879524-3	CRGH2512 1% 143R 2W	CRGH2512F143R
1-1879524-4	CRGH2512 1% 147R 2W	CRGH2512F147R
1-1879524-5	CRGH2512 1% 150R 2W	CRGH2512F150R
1-1879524-6	CRGH2512 1% 154R 2W	CRGH2512F154R
1-1879524-7	CRGH2512 1% 158R 2W	CRGH2512F158R
1-1879524-8	CRGH2512 1% 162R 2W	CRGH2512F162R
1-1879524-9	CRGH2512 1% 165R 2W	CRGH2512F165R
2-1879524-0	CRGH2512 1% 169R 2W	CRGH2512F169R
2-1879524-1	CRGH2512 1% 174R 2W	CRGH2512F174R
2-1879524-2	CRGH2512 1% 178R 2W	CRGH2512F178R
2-1879524-3	CRGH2512 1% 182R 2W	CRGH2512F182R
2-1879524-4	CRGH2512 1% 187R 2W	CRGH2512F187R
2-1879524-5	CRGH2512 1% 191R 2W	CRGH2512F191R
2-1879524-6	CRGH2512 1% 196R 2W	CRGH2512F196R
2-1879524-7	CRGH2512 1% 200R 2W	CRGH2512F200R
2-1879524-8	CRGH2512 1% 205R 2W	CRGH2512F205R
2-1879524-9	CRGH2512 1% 210R 2W	CRGH2512F210R
3-1879524-0	CRGH2512 1% 215R 2W	CRGH2512F215R

TCPN	PART DESCRIPTION	ALIAS
3-1879524-1	CRGH2512 1% 221R 2W	CRGH2512F221R
3-1879524-2	CRGH2512 1% 226R 2W	CRGH2512F226R
3-1879524-3	CRGH2512 1% 232R 2W	CRGH2512F232R
3-1879524-4	CRGH2512 1% 237R 2W	CRGH2512F237R
3-1879524-5	CRGH2512 1% 243R 2W	CRGH2512F243R
3-1879524-6	CRGH2512 1% 249R 2W	CRGH2512F249R
3-1879524-7	CRGH2512 1% 255R 2W	CRGH2512F255R
3-1879524-8	CRGH2512 1% 261R 2W	CRGH2512F261R
3-1879524-9	CRGH2512 1% 267R 2W	CRGH2512F267R
4-1879524-0	CRGH2512 1% 274R 2W	CRGH2512F274R
4-1879524-1	CRGH2512 1% 280R 2W	CRGH2512F280R
4-1879524-2	CRGH2512 1% 287R 2W	CRGH2512F287R
4-1879524-3	CRGH2512 1% 294R 2W	CRGH2512F294R
4-1879524-4	CRGH2512 1% 301R 2W	CRGH2512F301R
4-1879524-5	CRGH2512 1% 309R 2W	CRGH2512F309R
4-1879524-6	CRGH2512 1% 316R 2W	CRGH2512F316R
4-1879524-7	CRGH2512 1% 324R 2W	CRGH2512F324R
4-1879524-8	CRGH2512 1% 332R 2W	CRGH2512F332R
4-1879524-9	CRGH2512 1% 340R 2W	CRGH2512F340R
5-1879524-0	CRGH2512 1% 348R 2W	CRGH2512F348R
5-1879524-1	CRGH2512 1% 357R 2W	CRGH2512F357R
5-1879524-2	CRGH2512 1% 365R 2W	CRGH2512F365R
5-1879524-3	CRGH2512 1% 374R 2W	CRGH2512F374R
5-1879524-4	CRGH2512 1% 383R 2W	CRGH2512F383R
5-1879524-5	CRGH2512 1% 392R 2W	CRGH2512F392R
5-1879524-6	CRGH2512 1% 402R 2W	CRGH2512F402R
5-1879524-7	CRGH2512 1% 412R 2W	CRGH2512F412R
5-1879524-8	CRGH2512 1% 422R 2W	CRGH2512F422R
5-1879524-9	CRGH2512 1% 432R 2W	CRGH2512F432R
6-1879524-0	CRGH2512 1% 442R 2W	CRGH2512F442R


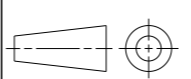
THIS DRAWING IS A CONTROLLED DOCUMENT.		DWN RAGHAVENDRA K 27 JUN 2012	 TE Connectivity	
DIMENSIONS: mm		CHK ALLAN P 27 JUN 2012		
		TOLERANCES UNLESS OTHERWISE SPECIFIED:	NAME SMD POWER RESISTORS - TYPE CRGH2512 SERIES	
MATERIAL -		0 PLC ± 1 PLC ±0.5 2 PLC ±0.13 3 PLC ±0.013 4 PLC ±0.0001 ANGLES ±	APVD TONY N 27 JUN 2012	PRODUCT SPEC -
FINISH -		WEIGHT -	APPLICATION SPEC -	RESTRICTED TO -
CUSTOMER DRAWING			SIZE A3	CAGE CODE 00779
SCALE 40:1			DRAWING NO C-1879524	SHEET 1 OF 1
			REV BC1	

REVISIONS

P	LTR	DESCRIPTION	DATE	DWN	APVD
	-	SEE SHEET 1	-	-	-

TCPN	PART DESCRIPTION	ALIAS
6-1879524-1	CRGH2512 1% 453R 2W	CRGH2512F453R
6-1879524-2	CRGH2512 1% 464R 2W	CRGH2512F464R
6-1879524-3	CRGH2512 1% 475R 2W	CRGH2512F475R
6-1879524-4	CRGH2512 1% 487R 2W	CRGH2512F487R
6-1879524-5	CRGH2512 1% 499R 2W	CRGH2512F499R
6-1879524-6	CRGH2512 1% 511R 2W	CRGH2512F511R
6-1879524-7	CRGH2512 1% 523R 2W	CRGH2512F523R
6-1879524-8	CRGH2512 1% 536R 2W	CRGH2512F536R
6-1879524-9	CRGH2512 1% 549R 2W	CRGH2512F549R
7-1879524-0	CRGH2512 1% 562R 2W	CRGH2512F562R
7-1879524-1	CRGH2512 1% 576R 2W	CRGH2512F576R
7-1879524-2	CRGH2512 1% 590R 2W	CRGH2512F590R
7-1879524-3	CRGH2512 1% 604R 2W	CRGH2512F604R
7-1879524-4	CRGH2512 1% 619R 2W	CRGH2512F619R
7-1879524-5	CRGH2512 1% 634R 2W	CRGH2512F634R
7-1879524-6	CRGH2512 1% 649R 2W	CRGH2512F649R
7-1879524-7	CRGH2512 1% 665R 2W	CRGH2512F665R
7-1879524-8	CRGH2512 1% 681R 2W	CRGH2512F681R
7-1879524-9	CRGH2512 1% 698R 2W	CRGH2512F698R
8-1879524-0	CRGH2512 1% 715R 2W	CRGH2512F715R

TCPN	PART DESCRIPTION	ALIAS
8-1879524-1	CRGH2512 1% 732R 2W	CRGH2512F732R
8-1879524-2	CRGH2512 1% 750R 2W	CRGH2512F750R
8-1879524-3	CRGH2512 1% 768R 2W	CRGH2512F768R
8-1879524-4	CRGH2512 1% 787R 2W	CRGH2512F787R
8-1879524-5	CRGH2512 1% 806R 2W	CRGH2512F806R
8-1879524-6	CRGH2512 1% 825R 2W	CRGH2512F825R
8-1879524-7	CRGH2512 1% 845R 2W	CRGH2512F845R
8-1879524-8	CRGH2512 1% 866R 2W	CRGH2512F866R
8-1879524-9	CRGH2512 1% 887R 2W	CRGH2512F887R
9-1879524-0	CRGH2512 1% 909R 2W	CRGH2512F909R
9-1879524-1	CRGH2512 1% 931R 2W	CRGH2512F931R
9-1879524-2	CRGH2512 1% 953R 2W	CRGH2512F953R
9-1879524-3	CRGH2512 1% 976R 2W	CRGH2512F976R
9-1879524-4	CRGH2512 1% 1K0 2W	CRGH2512F1K0
9-1879524-5	CRGH2512 1% 1K02 2W	CRGH2512F1K02
9-1879524-6	CRGH2512 1% 1K05 2W	CRGH2512F1K05
9-1879524-7	CRGH2512 1% 1K07 2W	CRGH2512F1K07
9-1879524-8	CRGH2512 1% 1K1 2W	CRGH2512F1K1
9-1879524-9	CRGH2512 1% 1K13 2W	CRGH2512F1K13

THIS DRAWING IS A CONTROLLED DOCUMENT.		DWN RAGHAVENDRA K 27 JUN 2012	 TE Connectivity	
DIMENSIONS: mm		CHK ALLAN P 27 JUN 2012		
		APVD TONY N 27 JUN 2012	NAME SMD POWER RESISTORS - TYPE CRGH2512 SERIES	
TOLERANCES UNLESS OTHERWISE SPECIFIED:		PRODUCT SPEC	-	
0 PLC ±-		APPLICATION SPEC	-	
1 PLC ±0.5		WEIGHT	-	
2 PLC ±0.13		SIZE CAGE CODE DRAWING NO RESTRICTED TO		
3 PLC ±0.013		A3 00779 C-1879524		
4 PLC ±0.0001		SCALE SHEET 1 OF 1 REV BC1		
ANGLES ±		CUSTOMER DRAWING		
MATERIAL		-		
FINISH		-		