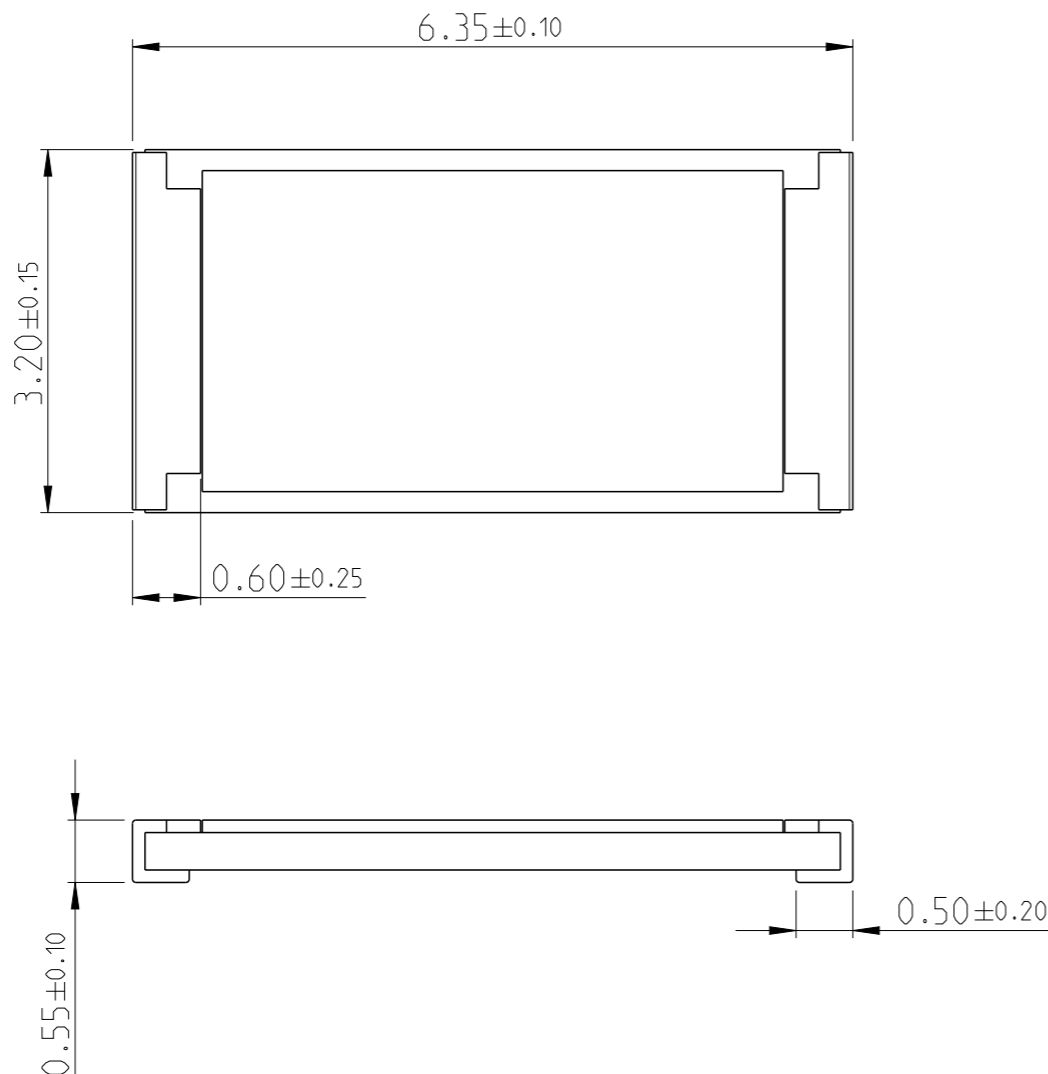


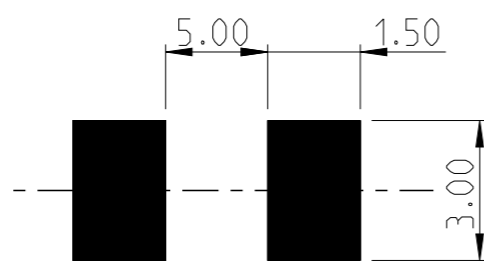
REVISIONS

P	LTR	DESCRIPTION	DATE	DWN	APVD
	BC	ECR-16-000748	18JAN2016	KR	TN
	BC1	ECR-22-127236	21JAN2022	KS	TG

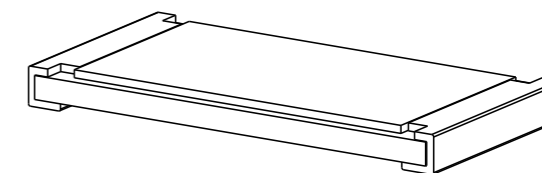


FOR FURTHER INFORMATION SEE PRODUCT SPECIFICATION FOR CRGH SERIES

RoHS Compliant



PCB LAYOUT PLAN




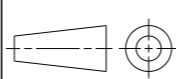
THIS DRAWING IS A CONTROLLED DOCUMENT.		DWN RAGHAVENDRA K 27 JUN 2012		
DIMENSIONS: mm		CHK ALLAN P 27 JUN 2012		
TOLERANCES UNLESS OTHERWISE SPECIFIED:		APVD TONY N 27 JUN 2012	NAME SMD POWER RESISTORS - TYPE CRGH2512 SERIES	
		PRODUCT SPEC -	APPLICATION SPEC -	
MATERIAL -		FINISH -	WEIGHT -	RESTRICTED TO -
		CUSTOMER DRAWING	SCALE 40:1	SHEET 1 OF 1
				REV BC1

REVISIONS

P	LTR	DESCRIPTION	DATE	DWN	APVD
	-	SEE SHEET 1	-	-	-

TCPN	PART DESCRIPTION	ALIAS
1879502-1	CRGH2512 5% 13K 2W	CRGH2512J13K
1879502-2	CRGH2512 5% 15K 2W	CRGH2512J15K
1879502-3	CRGH2512 5% 16K 2W	CRGH2512J16K
1879502-4	CRGH2512 5% 18K 2W	CRGH2512J18K
1879502-5	CRGH2512 5% 20K 2W	CRGH2512J20K
1879502-6	CRGH2512 5% 22K 2W	CRGH2512J22K
1879502-7	CRGH2512 5% 24K 2W	CRGH2512J24K
1879502-8	CRGH2512 5% 27K 2W	CRGH2512J27K
1879502-9	CRGH2512 5% 30K 2W	CRGH2512J30K
1-1879502-0	CRGH2512 5% 33K 2W	CRGH2512J33K
1-1879502-1	CRGH2512 5% 36K 2W	CRGH2512J36K
1-1879502-2	CRGH2512 5% 39K 2W	CRGH2512J39K
1-1879502-3	CRGH2512 5% 43K 2W	CRGH2512J43K
1-1879502-4	CRGH2512 5% 47K 2W	CRGH2512J47K
1-1879502-5	CRGH2512 5% 51K 2W	CRGH2512J51K
1-1879502-6	CRGH2512 5% 56K 2W	CRGH2512J56K
1-1879502-7	CRGH2512 5% 62K 2W	CRGH2512J62K
1-1879502-8	CRGH2512 5% 68K 2W	CRGH2512J68K
1-1879502-9	CRGH2512 5% 75K 2W	CRGH2512J75K
2-1879502-0	CRGH2512 5% 82K 2W	CRGH2512J82K
2-1879502-1	CRGH2512 5% 91K 2W	CRGH2512J91K
2-1879502-2	CRGH2512 5% 100K 2W	CRGH2512J100K
2-1879502-3	CRGH2512 5% 110K 2W	CRGH2512J110K
2-1879502-4	CRGH2512 5% 120K 2W	CRGH2512J120K
2-1879502-5	CRGH2512 5% 130K 2W	CRGH2512J130K
2-1879502-6	CRGH2512 5% 150K 2W	CRGH2512J150K
2-1879502-7	CRGH2512 5% 160K 2W	CRGH2512J160K
2-1879502-8	CRGH2512 5% 180K 2W	CRGH2512J180K
2-1879502-9	CRGH2512 5% 200K 2W	CRGH2512J200K
3-1879502-0	CRGH2512 5% 220K 2W	CRGH2512J220K
3-1879502-1	CRGH2512 5% 240K 2W	CRGH2512J240K
3-1879502-2	CRGH2512 5% 270K 2W	CRGH2512J270K
3-1879502-3	CRGH2512 5% 300K 2W	CRGH2512J300K
3-1879502-4	CRGH2512 5% 330K 2W	CRGH2512J330K
3-1879502-5	CRGH2512 5% 360K 2W	CRGH2512J360K
3-1879502-6	CRGH2512 5% 390K 2W	CRGH2512J390K
3-1879502-7	CRGH2512 5% 430K 2W	CRGH2512J430K
3-1879502-8	CRGH2512 5% 470K 2W	CRGH2512J470K
3-1879502-9	CRGH2512 5% 510K 2W	CRGH2512J510K

TCPN	PART DESCRIPTION	ALIAS
4-1879502-0	CRGH2512 5% 560K 2W	CRGH2512J560K
4-1879502-1	CRGH2512 5% 620K 2W	CRGH2512J620K
4-1879502-2	CRGH2512 5% 680K 2W	CRGH2512J680K
4-1879502-3	CRGH2512 5% 750K 2W	CRGH2512J750K
4-1879502-4	CRGH2512 5% 820K 2W	CRGH2512J820K
4-1879502-5	CRGH2512 5% 910K 2W	CRGH2512J910K
4-1879502-6	CRGH2512 5% 1M0 2W	CRGH2512J1M0
4-1879502-7	CRGH2512 5% 1M1 2W	CRGH2512J1M1
4-1879502-8	CRGH2512 5% 1M2 2W	CRGH2512J1M2
4-1879502-9	CRGH2512 5% 1M3 2W	CRGH2512J1M3
5-1879502-0	CRGH2512 5% 1M5 2W	CRGH2512J1M5
5-1879502-1	CRGH2512 5% 1M6 2W	CRGH2512J1M6
5-1879502-2	CRGH2512 5% 1M8 2W	CRGH2512J1M8
5-1879502-3	CRGH2512 5% 2M0 2W	CRGH2512J2M0
5-1879502-4	CRGH2512 5% 2M2 2W	CRGH2512J2M2
5-1879502-5	CRGH2512 5% 2M4 2W	CRGH2512J2M4
5-1879502-6	CRGH2512 5% 2M7 2W	CRGH2512J2M7
5-1879502-7	CRGH2512 5% 3M0 2W	CRGH2512J3M0
5-1879502-8	CRGH2512 5% 3M3 2W	CRGH2512J3M3
5-1879502-9	CRGH2512 5% 3M6 2W	CRGH2512J3M6
6-1879502-0	CRGH2512 5% 3M9 2W	CRGH2512J3M9
6-1879502-1	CRGH2512 5% 4M3 2W	CRGH2512J4M3
6-1879502-2	CRGH2512 5% 4M7 2W	CRGH2512J4M7
6-1879502-3	CRGH2512 5% 5M1 2W	CRGH2512J5M1
6-1879502-4	CRGH2512 5% 5M6 2W	CRGH2512J5M6
6-1879502-5	CRGH2512 5% 6M2 2W	CRGH2512J6M2
6-1879502-6	CRGH2512 5% 6M8 2W	CRGH2512J6M8
6-1879502-7	CRGH2512 5% 7M5 2W	CRGH2512J7M5
6-1879502-8	CRGH2512 5% 8M2 2W	CRGH2512J8M2
6-1879502-9	CRGH2512 5% 9M1 2W	CRGH2512J9M1
7-1879502-0	CRGH2512 5% 10M 2W	CRGH2512J10M

THIS DRAWING IS A CONTROLLED DOCUMENT.		DWN RAGHAVENDRA K 27 JUN 2012	 TE Connectivity	
DIMENSIONS: mm		CHK ALLAN P 27 JUN 2012		
TOLERANCES UNLESS OTHERWISE SPECIFIED:		APVD TONY N 27 JUN 2012	NAME SMD POWER RESISTORS - TYPE CRGH2512 SERIES	
		PRODUCT SPEC -	APPLICATION SPEC -	
MATERIAL -		FINISH -	WEIGHT -	RESTRICTED TO -
		CUSTOMER DRAWING	SCALE 40:1	SHEET 1 OF 1
				REV BC 1