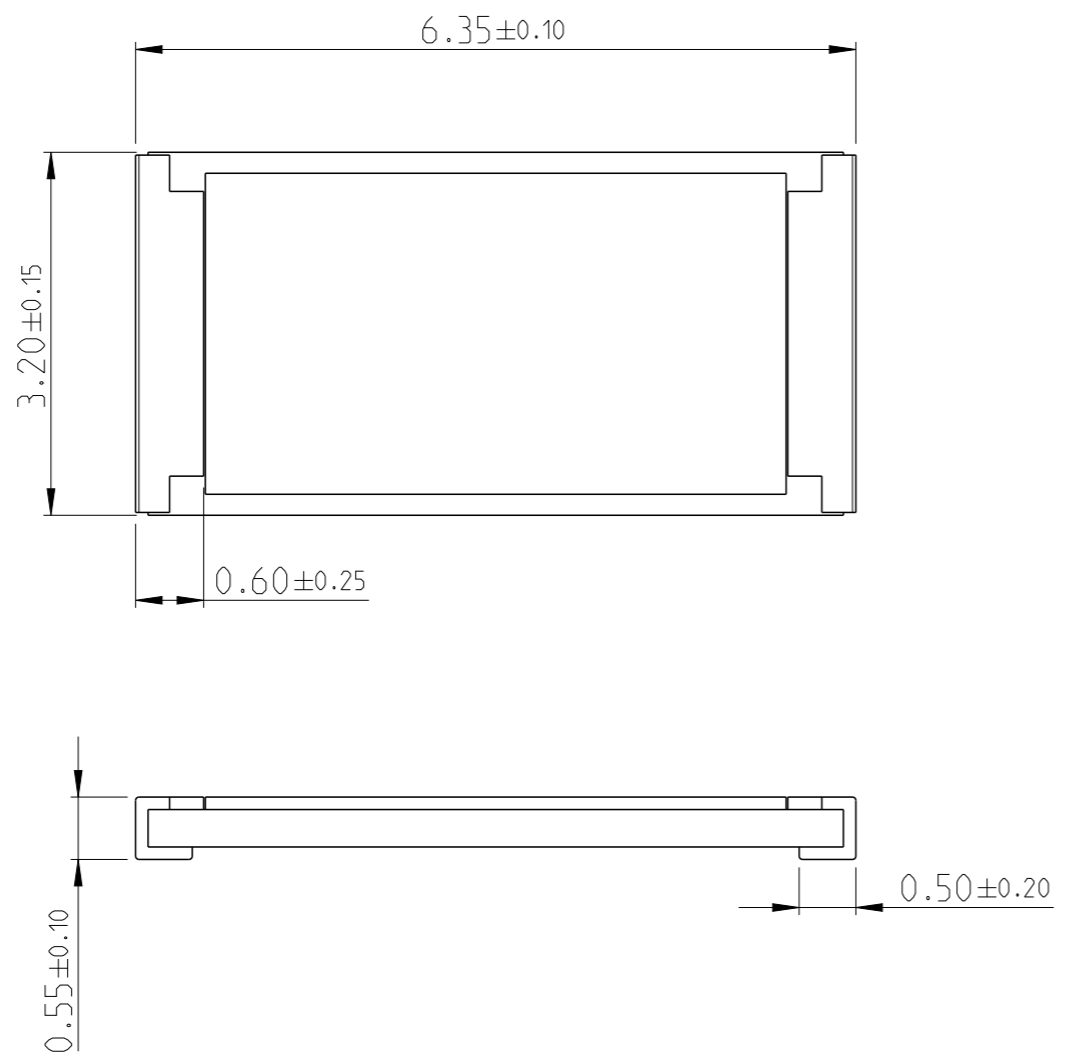


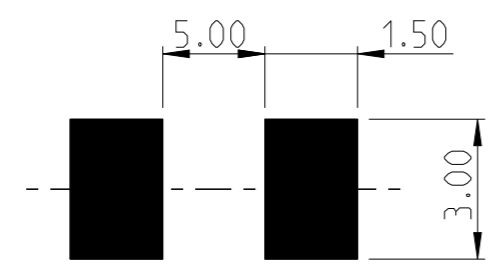
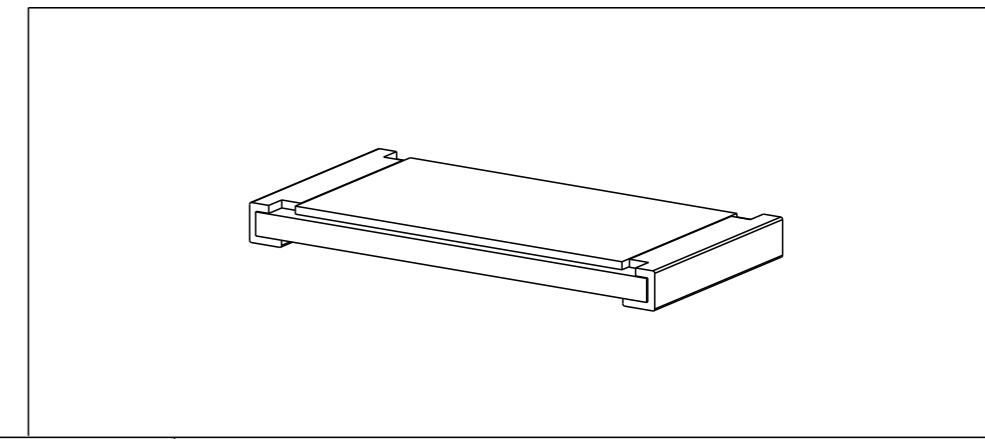
REVISIONS

P	LTR	DESCRIPTION	DATE	DWN	APVD
	BC	ECR-16-000748	18JAN2016	KR	TN
	BC1	ECR-22-127236	21JAN2021	KS	TG



FOR FURTHER INFORMATION SEE PRODUCT SPECIFICATION FOR CRGH SERIES

RoHS Compliant



PCB LAYOUT PLAN


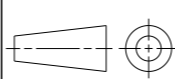
THIS DRAWING IS A CONTROLLED DOCUMENT.		DWN RAGHAVENDRA K 27 JUN 2012		
DIMENSIONS: mm		CHK ALLAN P 27 JUN 2012		
TOLERANCES UNLESS OTHERWISE SPECIFIED:		APVD TONY N 27 JUN 2012	NAME SMD POWER RESISTORS - TYPE CRGH2512 SERIES	
		PRODUCT SPEC -	APPLICATION SPEC -	
MATERIAL -		FINISH -	WEIGHT -	RESTRICTED TO -
		SIZE A3		CAGE CODE 00779
		DRAWING NO C-1879501		SCALE 40:1
		SHEET 1 OF 1		REV BC1
		CUSTOMER DRAWING		

REVISIONS

P	LTR	DESCRIPTION	DATE	DWN	APVD
	-	SEE SHEET 1	-	-	-

TCPN	PART DESCRIPTION	PART STATUS	ALIAS
1879501-1	CRGH2512 5% 1R0 2W	Production	CRGH2512J1R0
1879501-2	CRGH2512 5% 1R1 2W	Production	CRGH2512J1R1
1879501-3	CRGH2512 5% 1R2 2W	Production	CRGH2512J1R2
1879501-4	CRGH2512 5% 1R3 2W	Production	CRGH2512J1R3
1879501-5	CRGH2512 5% 1R5 2W	Production	CRGH2512J1R5
1879501-6	CRGH2512 5% 1R6 2W	Production	CRGH2512J1R6
1879501-7	CRGH2512 5% 1R8 2W	Production	CRGH2512J1R8
1879501-8	CRGH2512 5% 2R0 2W	Production	CRGH2512J2R0
1879501-9	CRGH2512 5% 2R2 2W	Production	CRGH2512J2R2
1-1879501-0	CRGH2512 5% 2R4 2W	Production	CRGH2512J2R4
1-1879501-1	CRGH2512 5% 2R7 2W	Production	CRGH2512J2R7
1-1879501-2	CRGH2512 5% 3R0 2W	Production	CRGH2512J3R0
1-1879501-3	CRGH2512 5% 3R3 2W	Production	CRGH2512J3R3
1-1879501-4	CRGH2512 5% 3R6 2W	Production	CRGH2512J3R6
1-1879501-5	CRGH2512 5% 3R9 2W	Production	CRGH2512J3R9
1-1879501-6	CRGH2512 5% 4R3 2W	Production	CRGH2512J4R3
1-1879501-7	CRGH2512 5% 4R7 2W	Production	CRGH2512J4R7
1-1879501-8	CRGH2512 5% 5R1 2W	Production	CRGH2512J5R1
1-1879501-9	CRGH2512 5% 5R6 2W	Production	CRGH2512J5R6
2-1879501-0	CRGH2512 5% 6R2 2W	Production	CRGH2512J6R2
2-1879501-1	CRGH2512 5% 6R8 2W	Production	CRGH2512J6R8
2-1879501-2	CRGH2512 5% 7R5 2W	Production	CRGH2512J7R5
2-1879501-3	CRGH2512 5% 8R2 2W	Production	CRGH2512J8R2
2-1879501-4	CRGH2512 5% 9R1 2W	Production	CRGH2512J9R1
2-1879501-5	CRGH2512 5% 10R 2W	Production	CRGH2512J10R
2-1879501-6	CRGH2512 5% 11R 2W	Production	CRGH2512J11R
2-1879501-7	CRGH2512 5% 12R 2W	Production	CRGH2512J12R
2-1879501-8	CRGH2512 5% 13R 2W	Production	CRGH2512J13R
2-1879501-9	CRGH2512 5% 15R 2W	Production	CRGH2512J15R
3-1879501-0	CRGH2512 5% 16R 2W	Production	CRGH2512J16R

TCPN	PART DESCRIPTION	PART STATUS	ALIAS
3-1879501-1	CRGH2512 5% 18R 2W	Production	CRGH2512J18R
3-1879501-2	CRGH2512 5% 20R 2W	Production	CRGH2512J20R
3-1879501-3	CRGH2512 5% 22R 2W	Production	CRGH2512J22R
3-1879501-4	CRGH2512 5% 24R 2W	Production	CRGH2512J24R
3-1879501-5	CRGH2512 5% 27R 2W	Production	CRGH2512J27R
3-1879501-6	CRGH2512 5% 30R 2W	Production	CRGH2512J30R
3-1879501-7	CRGH2512 5% 33R 2W	Production	CRGH2512J33R
3-1879501-8	CRGH2512 5% 36R 2W	Production	CRGH2512J36R
3-1879501-9	CRGH2512 5% 39R 2W	Production	CRGH2512J39R
4-1879501-0	CRGH2512 5% 43R 2W	Production	CRGH2512J43R
4-1879501-1	CRGH2512 5% 47R 2W	Production	CRGH2512J47R
4-1879501-2	CRGH2512 5% 51R 2W	Production	CRGH2512J51R
4-1879501-3	CRGH2512 5% 56R 2W	Production	CRGH2512J56R
4-1879501-4	CRGH2512 5% 62R 2W	Production	CRGH2512J62R
4-1879501-5	CRGH2512 5% 68R 2W	Production	CRGH2512J68R
4-1879501-6	CRGH2512 5% 75R 2W	Production	CRGH2512J75R
4-1879501-7	CRGH2512 5% 82R 2W	Production	CRGH2512J82R
4-1879501-8	CRGH2512 5% 91R 2W	Production	CRGH2512J91R
4-1879501-9	CRGH2512 5% 100R 2W	Production	CRGH2512J100R
5-1879501-0	CRGH2512 5% 110R 2W	Production	CRGH2512J110R
5-1879501-1	CRGH2512 5% 120R 2W	Production	CRGH2512J120R
5-1879501-2	CRGH2512 5% 130R 2W	Production	CRGH2512J130R
5-1879501-3	CRGH2512 5% 150R 2W	Production	CRGH2512J150R
5-1879501-4	CRGH2512 5% 160R 2W	Production	CRGH2512J160R
5-1879501-5	CRGH2512 5% 180R 2W	Production	CRGH2512J180R
5-1879501-6	CRGH2512 5% 200R 2W	Production	CRGH2512J200R
5-1879501-7	CRGH2512 5% 220R 2W	Production	CRGH2512J220R
5-1879501-8	CRGH2512 5% 240R 2W	Production	CRGH2512J240R
5-1879501-9	CRGH2512 5% 270R 2W	Production	CRGH2512J270R
6-1879501-0	CRGH2512 5% 300R 2W	Production	CRGH2512J300R


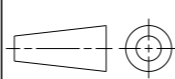
THIS DRAWING IS A CONTROLLED DOCUMENT.		DWN RAGHAVENDRA K 27 JUN 2012	 TE Connectivity	
DIMENSIONS: mm		CHK ALLAN P 27 JUN 2012		
		TOLERANCES UNLESS OTHERWISE SPECIFIED:	NAME SMD POWER RESISTORS - TYPE CRGH2512 SERIES	
MATERIAL -		0 PLC ± 1 PLC ±0.5 2 PLC ±0.13 3 PLC ±0.013 4 PLC ±0.0001 ANGLES ±	APVD TONY N 27 JUN 2012	PRODUCT SPEC -
FINISH -		WEIGHT -	APPLICATION SPEC -	RESTRICTED TO -
CUSTOMER DRAWING			SCALE 40:1	SIZE A3 CAGE CODE 00779 DRAWING NO C-1879501 SHEET 1 OF 1 REV BC1

REVISIONS

P	LTR	DESCRIPTION	DATE	DWN	APVD
	-	SEE SHEET 1	-	-	-

TCPN	PART DESCRIPTION	PART STATUS	ALIAS
6-1879501-1	CRGH2512 5% 330R 2W	Production	CRGH2512J330R
6-1879501-2	CRGH2512 5% 360R 2W	Production	CRGH2512J360R
6-1879501-3	CRGH2512 5% 390R 2W	Production	CRGH2512J390R
6-1879501-4	CRGH2512 5% 430R 2W	Production	CRGH2512J430R
6-1879501-5	CRGH2512 5% 470R 2W	Production	CRGH2512J470R
6-1879501-6	CRGH2512 5% 510R 2W	Production	CRGH2512J510R
6-1879501-7	CRGH2512 5% 560R 2W	Production	CRGH2512J560R
6-1879501-8	CRGH2512 5% 620R 2W	Production	CRGH2512J620R
6-1879501-9	CRGH2512 5% 680R 2W	Production	CRGH2512J680R
7-1879501-0	CRGH2512 5% 750R 2W	Production	CRGH2512J750R
7-1879501-1	CRGH2512 5% 820R 2W	Production	CRGH2512J820R
7-1879501-2	CRGH2512 5% 910R 2W	Production	CRGH2512J910R
7-1879501-3	CRGH2512 5% 1K0 2W	Production	CRGH2512J1K0
7-1879501-4	CRGH2512 5% 1K1 2W	Production	CRGH2512J1K1
7-1879501-5	CRGH2512 5% 1K2 2W	Production	CRGH2512J1K2
7-1879501-6	CRGH2512 5% 1K3 2W	Production	CRGH2512J1K3
7-1879501-7	CRGH2512 5% 1K5 2W	Production	CRGH2512J1K5
7-1879501-8	CRGH2512 5% 1K6 2W	Production	CRGH2512J1K6
7-1879501-9	CRGH2512 5% 1K8 2W	Production	CRGH2512J1K8
8-1879501-0	CRGH2512 5% 2K0 2W	Production	CRGH2512J2K0

TCPN	PART DESCRIPTION	PART STATUS	ALIAS
8-1879501-1	CRGH2512 5% 2K2 2W	Production	CRGH2512J2K2
8-1879501-2	CRGH2512 5% 2K4 2W	Production	CRGH2512J2K4
8-1879501-3	CRGH2512 5% 2K7 2W	Production	CRGH2512J2K7
8-1879501-4	CRGH2512 5% 3K0 2W	Production	CRGH2512J3K0
8-1879501-5	CRGH2512 5% 3K3 2W	Production	CRGH2512J3K3
8-1879501-6	CRGH2512 5% 3K6 2W	Production	CRGH2512J3K6
8-1879501-7	CRGH2512 5% 3K9 2W	Production	CRGH2512J3K9
8-1879501-8	CRGH2512 5% 4K3 2W	Production	CRGH2512J4K3
8-1879501-9	CRGH2512 5% 4K7 2W	Production	CRGH2512J4K7
9-1879501-0	CRGH2512 5% 5K1 2W	Production	CRGH2512J5K1
9-1879501-1	CRGH2512 5% 5K6 2W	Production	CRGH2512J5K6
9-1879501-2	CRGH2512 5% 6K2 2W	Production	CRGH2512J6K2
9-1879501-3	CRGH2512 5% 6K8 2W	Production	CRGH2512J6K8
9-1879501-4	CRGH2512 5% 7K5 2W	Production	CRGH2512J7K5
9-1879501-5	CRGH2512 5% 8K2 2W	Production	CRGH2512J8K2
9-1879501-6	CRGH2512 5% 9K1 2W	Production	CRGH2512J9K1
9-1879501-7	CRGH2512 5% 10K 2W	Production	CRGH2512J10K
9-1879501-8	CRGH2512 5% 11K 2W	Production	CRGH2512J11K
9-1879501-9	CRGH2512 5% 12K 2W	Production	CRGH2512J12K

THIS DRAWING IS A CONTROLLED DOCUMENT.		DWN RAGHAVENDRA K 27 JUN 2012	 TE Connectivity	
DIMENSIONS: mm		CHK ALLAN P 27 JUN 2012		
		TOLERANCES UNLESS OTHERWISE SPECIFIED:	NAME SMD POWER RESISTORS - TYPE CRGH2512 SERIES	
MATERIAL		0 PLC ± 1 PLC ±0.5 2 PLC ±0.13 3 PLC ±0.013 4 PLC ±0.0001 ANGLES ±	PRODUCT SPEC	
FINISH		-	APPLICATION SPEC	
-		WEIGHT	SIZE CAGE CODE DRAWING NO RESTRICTED TO	
-		-	A3 00779 C-1879501	
CUSTOMER DRAWING			SCALE 40:1	SHEET 1 OF 1 REV BC1