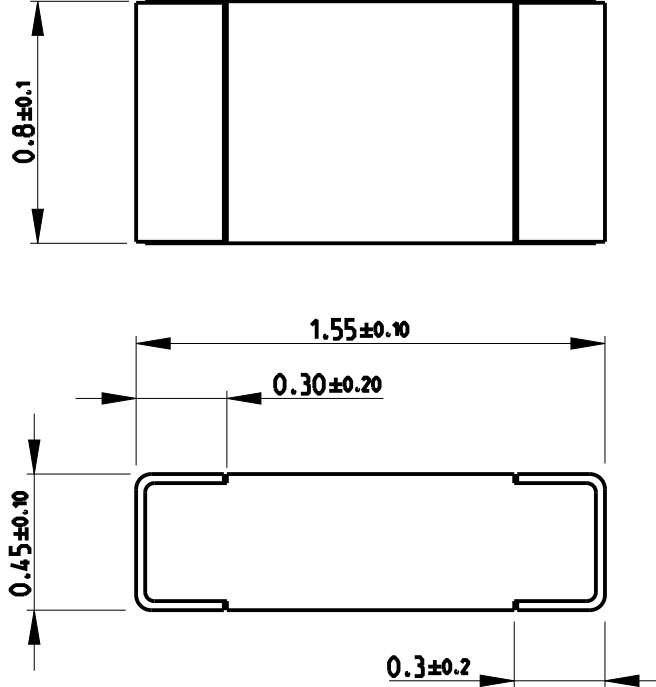
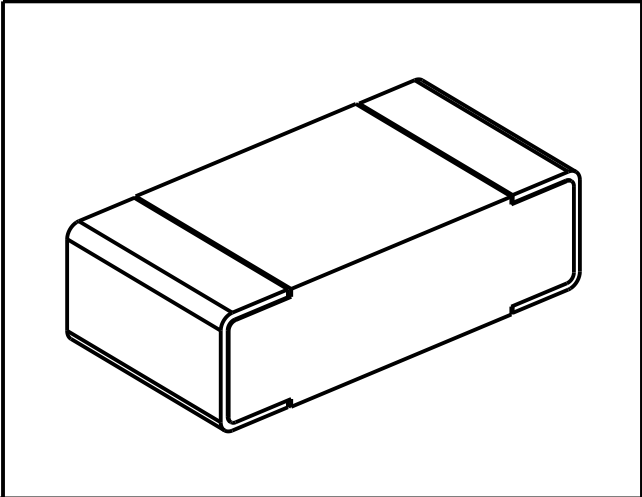


LOC	DIST	REVISIONS					
E	B	P	LTR	DESCRIPTION	DATE	DWN	APVD
		BA2	ECR-14-009193		19JUN2014	KR	TN

FOR FURTHER INFORMATION SEE DATA SHEET FOR CPF SERIES-THIN FILM PRECISION CHIP RESISTORS



RoHS Compliant




2008

RELEASED FOR PUBLICATION

ALL RIGHTS RESERVED.

THIS DRAWING IS UNPUBLISHED.

© COPYRIGHT 2008

DIMENSIONS: mm		DWN SUBHASH.M 29-Sep-08	MATERIAL	FINISH
TOLERANCES UNLESS OTHERWISE SPECIFIED:		CHK PRAKASH.S 29-Sep-08	 <b>TE Connectivity</b>	
0 PLC ± 0.2 1 PLC ± 0.1 2 PLC ± - 3 PLC ± - 4 PLC ± - ANGLES ± 5°		APVD STEPHEN.P 29-Sep-08		
PRODUCT SPEC		NAME THIN FILM PRECISION CHIP RESISTORS SERIES CPF 0603		
APPLICATION SPEC		SIZE	CAGE CODE	DRAWING NO
WEIGHT		A 4	00779	C- 1879338
Customer Drawing		RESTRICTED TO	SCALE	SHEET
		-	40:1	1 OF 1
				REV BA2