

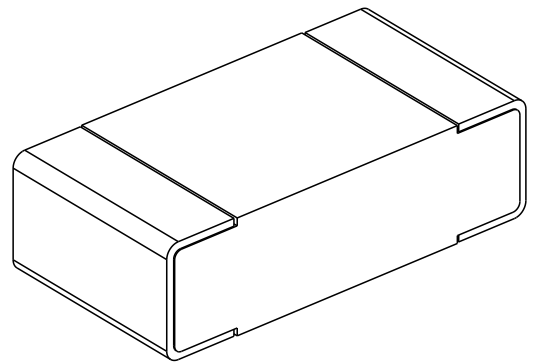
REVISIONS

P	LTR	DESCRIPTION	DATE	DWN	APVD
	BA1	ECR-14-009193	19JUN2014	KR	TN

FOR FURTHER INFORMATION SEE DATA SHEET FOR CPF SERIES-THIN FILM PRECISION CHIP RESISTORS



RoHS Compliant



2008

RELEASED FOR PUBLICATION

ALL RIGHTS RESERVED.

BY -

© COPYRIGHT 2008

THIS DRAWING IS UNPUBLISHED.

DIMENSIONS: mm	DWN SUBHASH.M	29-Sep-08	MATERIAL	-	FINISH	-
	CHK PRAKASH.S	29-Sep-08				
TOLERANCES UNLESS OTHERWISE SPECIFIED:	APVD STEPHEN.P	29-Sep-08				
	0 PLC ±0.2	PRODUCT SPEC	NAME THIN FILM PRECISION CHIP RESISTORS SERIES CPF 0603			
1 PLC ±0.1	APPLICATION SPEC	SIZE CAGE CODE DRAWING NO RESTRICTED TO				
2 PLC ±		A 4 00779 C-1879337	-			
3 PLC ±						
4 PLC ±						
ANGLES ±5°	WEIGHT	-				
	Customer Drawing		SCALE	40:1	SHEET	1 OF 1
					REV	BA1