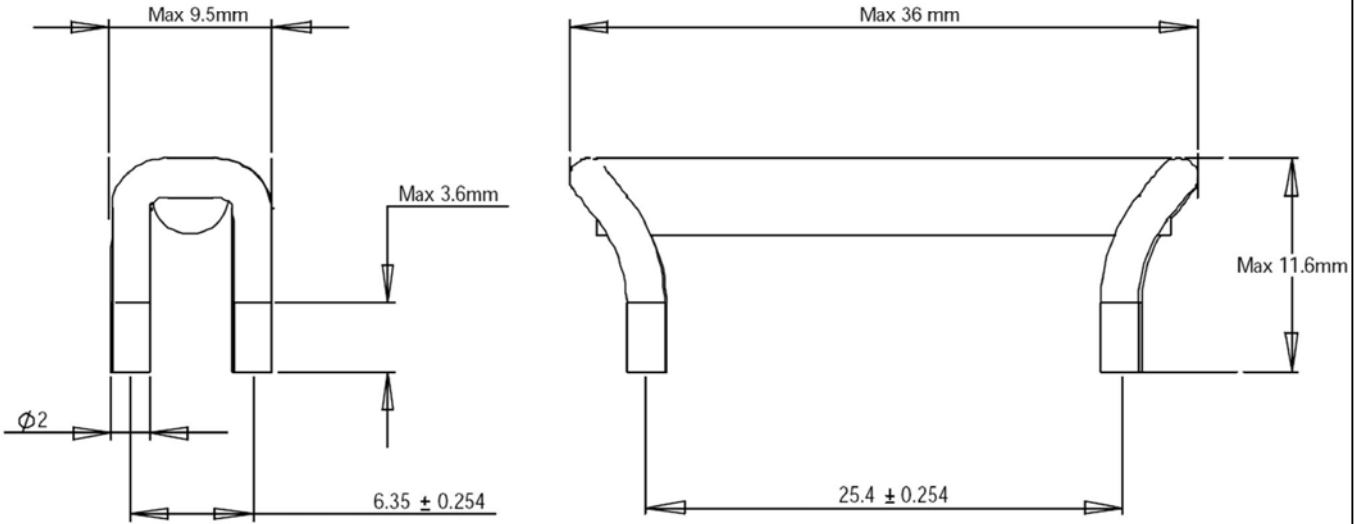


LOC	DIST	REVISIONS					
E	B	P	LTR	DESCRIPTION	DATE	DWN	APVD
		A		FIRST REVISION	25NOV05	DK	JC



Specifications:

- 1) R001 +/- 5%
- 2) Power Rating - 5W
- 3) Ohmic Values Available from 0.5 to 2 milliohms.
- 4) Tolerance - Available from 1 to 5%
- 5) TCR :- +/- 90ppm /C
- 6) Element: Copper Nickel Alloy
- 7) Short Term Overload: 5 times rated power for 5seconds
- 8) Inductance: Less than 30nH
- 9) Terminals: Tinned Copper - 4 Terminals for Current Sensing
- 10) Derating: Linearly from 25-275C

RELEASED FOR PUBLICATION NOV , 2005.

ALL RIGHTS RESERVED.

© COPYRIGHT 2005 BY TYCO ELECTRONICS CORPORATION.

THIS DRAWING IS UNPUBLISHED.

DIMENSIONS: MM	DWN	25NOV05	MATERIAL	-		FINISH	-	
	DAVE KENNEDY							
TOLERANCES UNLESS OTHERWISE SPECIFIED:	CHK	25NOV05	Tyco Electronics Corporation Dorcan, Swindon, SN3 5HH					
	J CATCHPOLE							
	APVD	25NOV05	NAME					
	J CATCHPOLE		PED16748					
0 PLC ± -	PRODUCT SPEC	-						
1 PLC ± -	APPLICATION SPEC	-						
2 PLC ± -	WEIGHT	-						
3 PLC ± -	CUSTOMER DRAWING	SIZE	A4	CAGE CODE	00779	DRAWING NO	C= 1879019	
4 PLC ± -		RESTRICTED TO	-					
ANGLES ± -	SCALE		NTS		SHEET		1	OF 1
	REV		A					