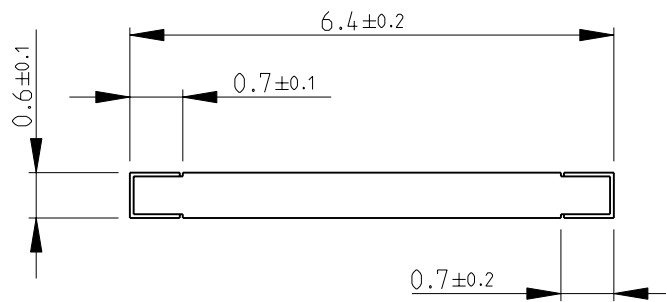
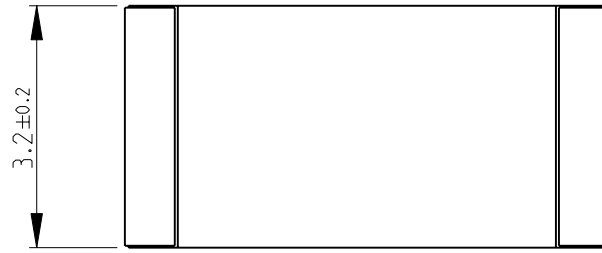
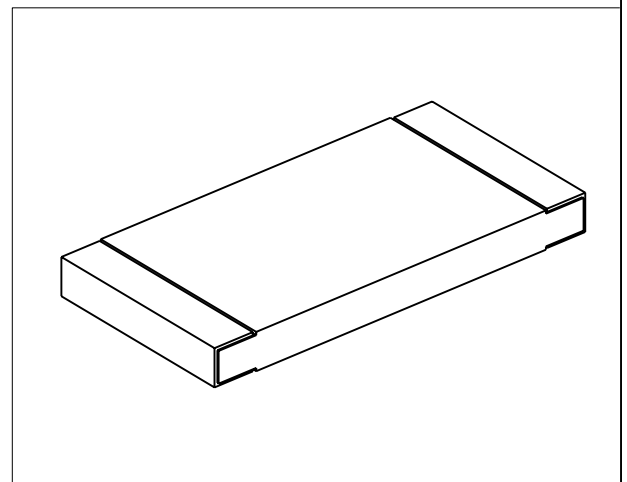


LOC	DIST	REVISIONS					
E	B	P	LTR	DESCRIPTION	DATE	DWN	APVD
			BA	NEW RELEASE	01-DEC-08	SM	St.P



FOR FURTHER INFORMATION SEE DATA SHEET FOR
3520 SERIES-SMD POWER RESISTORS

RoHS Compliant



2008

RELEASED FOR PUBLICATION

THIS DRAWING IS UNPUBLISHED.

BY TYCO ELECTRONICS CORPORATION. ALL RIGHTS RESERVED.

© COPYRIGHT 2008

DIMENSIONS: mm	DWN	01-DEC-08	MATERIAL	-	FINISH	-		
	SUBHASH.M							
TOLERANCES UNLESS OTHERWISE SPECIFIED:	CHK	01-DEC-08	Tyco Electronics Corporation Dorcan, Swindon, SN3 5HH					
	PRAKASH.S							
0 PLC ±0.2 1 PLC ±0.1 2 PLC ± 3 PLC ± 4 PLC ± ANGLES ±5°	APVD	01-DEC-08	NAME SMD POWER RESISTOR SERIES 3520					
	STEPHEN.P							
	PRODUCT SPEC	-	SIZE	A 4	CAGE CODE	00779		
	APPLICATION SPEC	-	DRAWING NO	C= 1879005		RESTRICTED TO	-	
	WEIGHT	-	CUSTOMER DRAWING		SCALE	10:1	SHEET 1 OF 1	REV BA