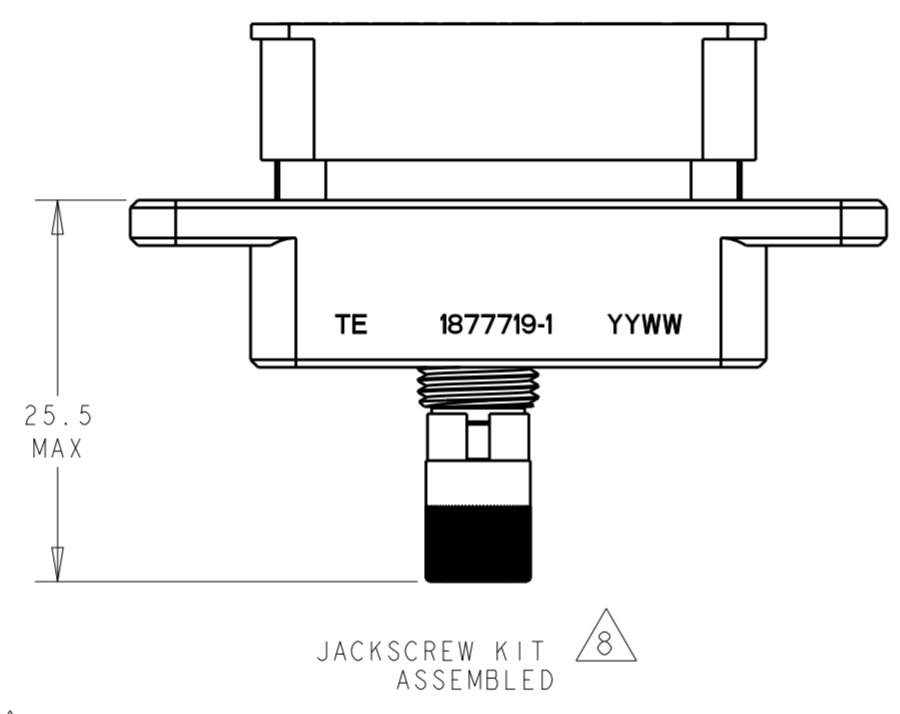
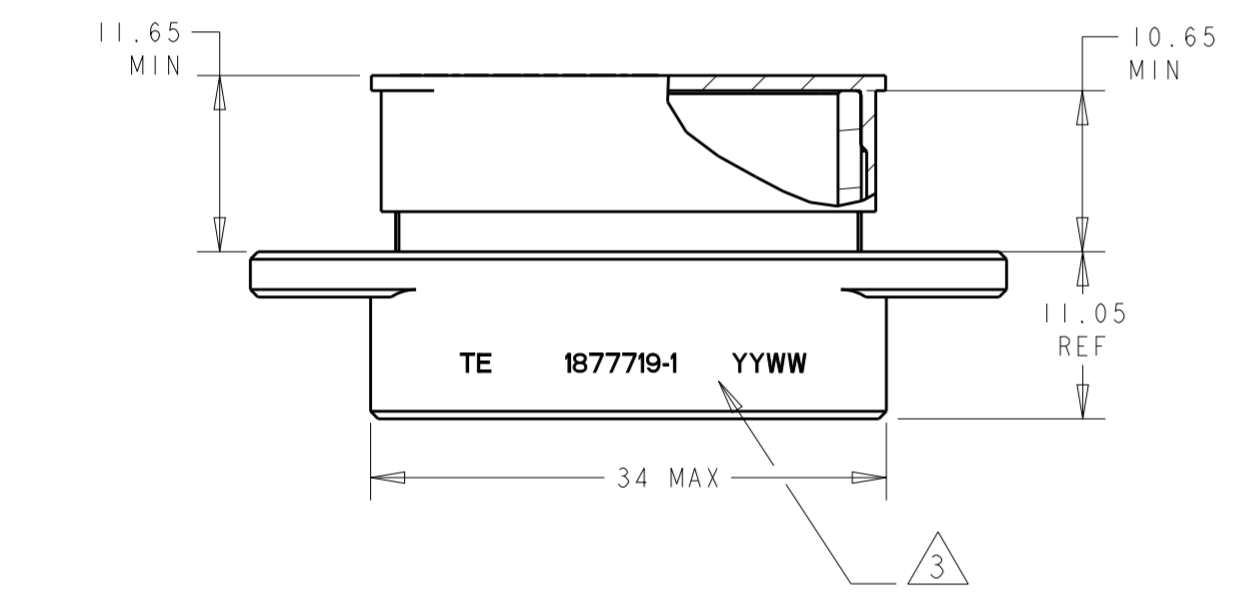
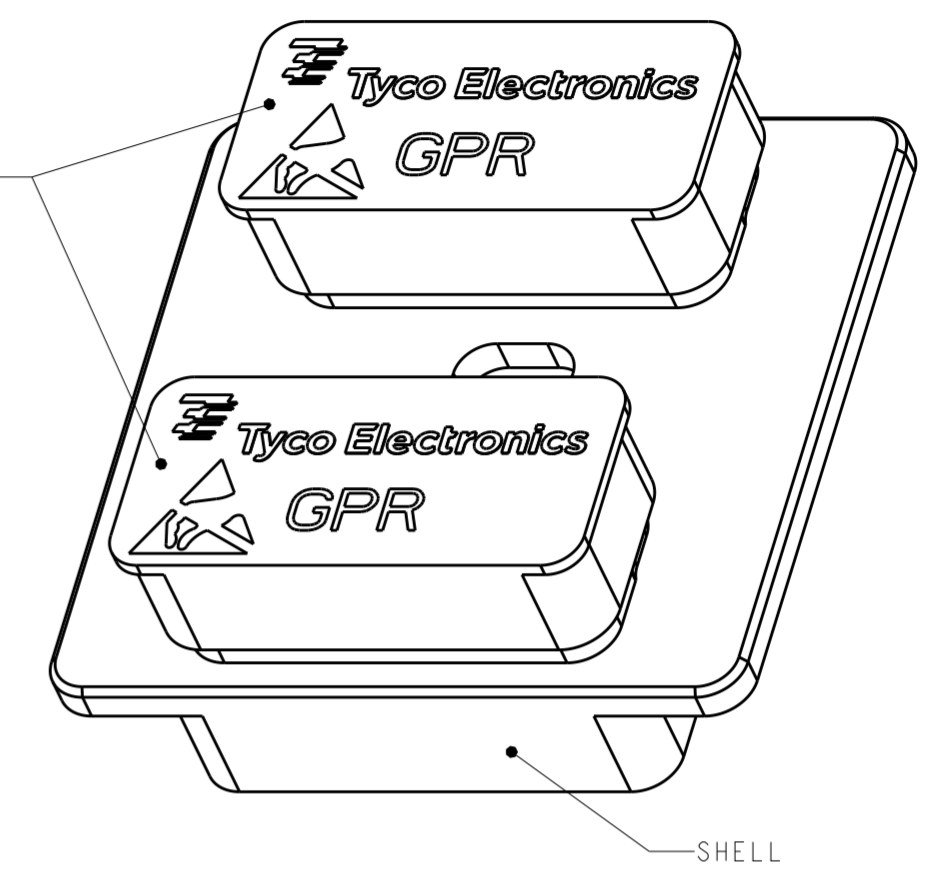
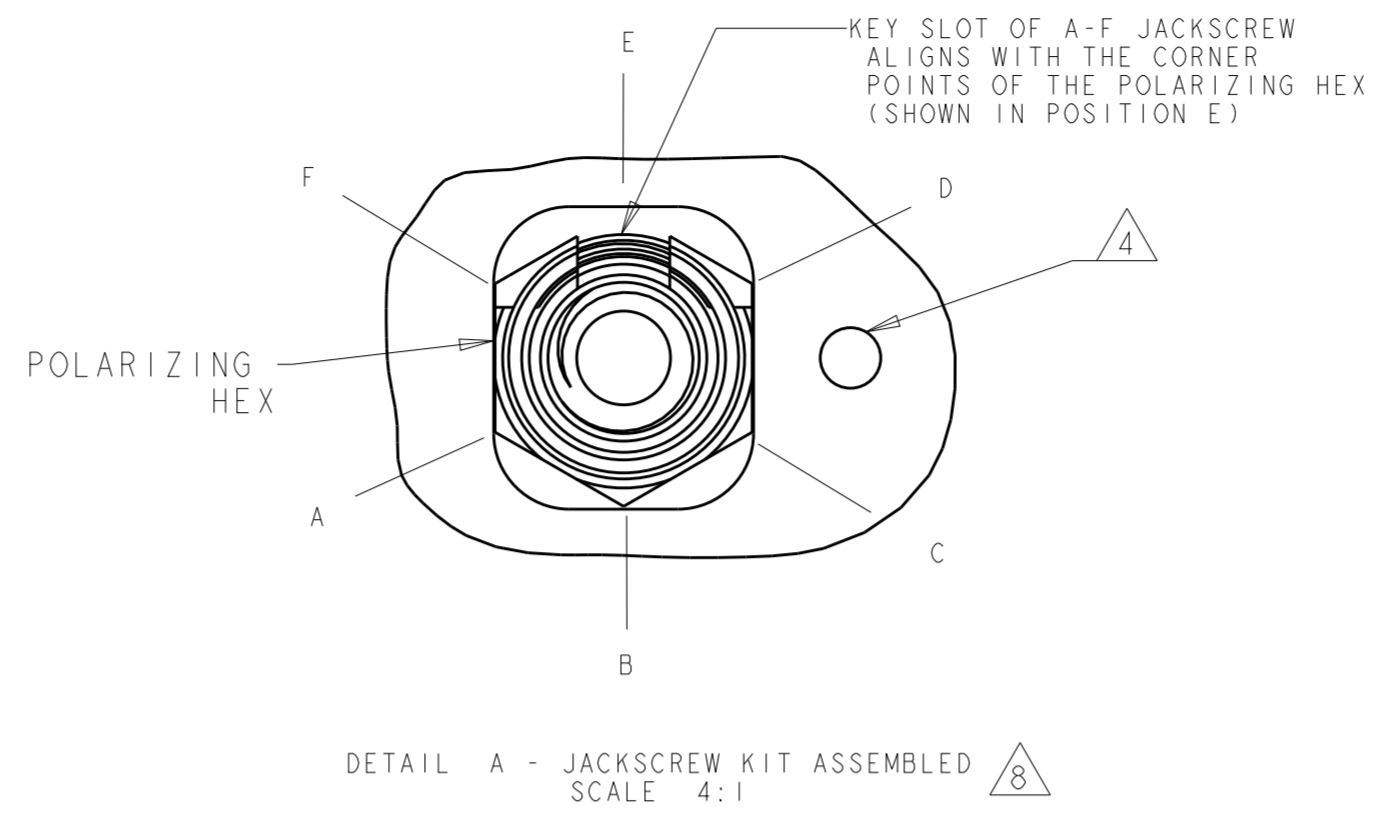
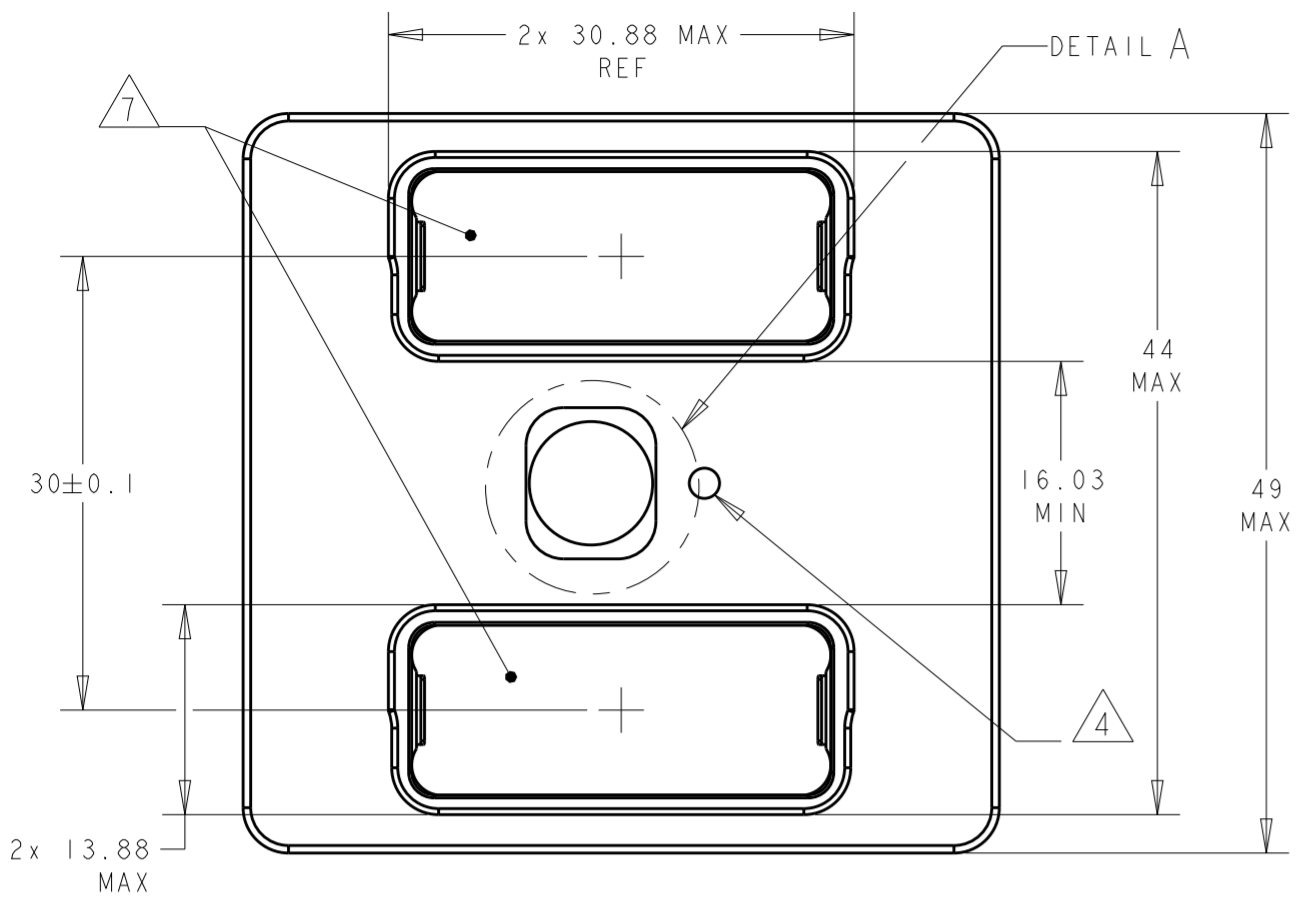
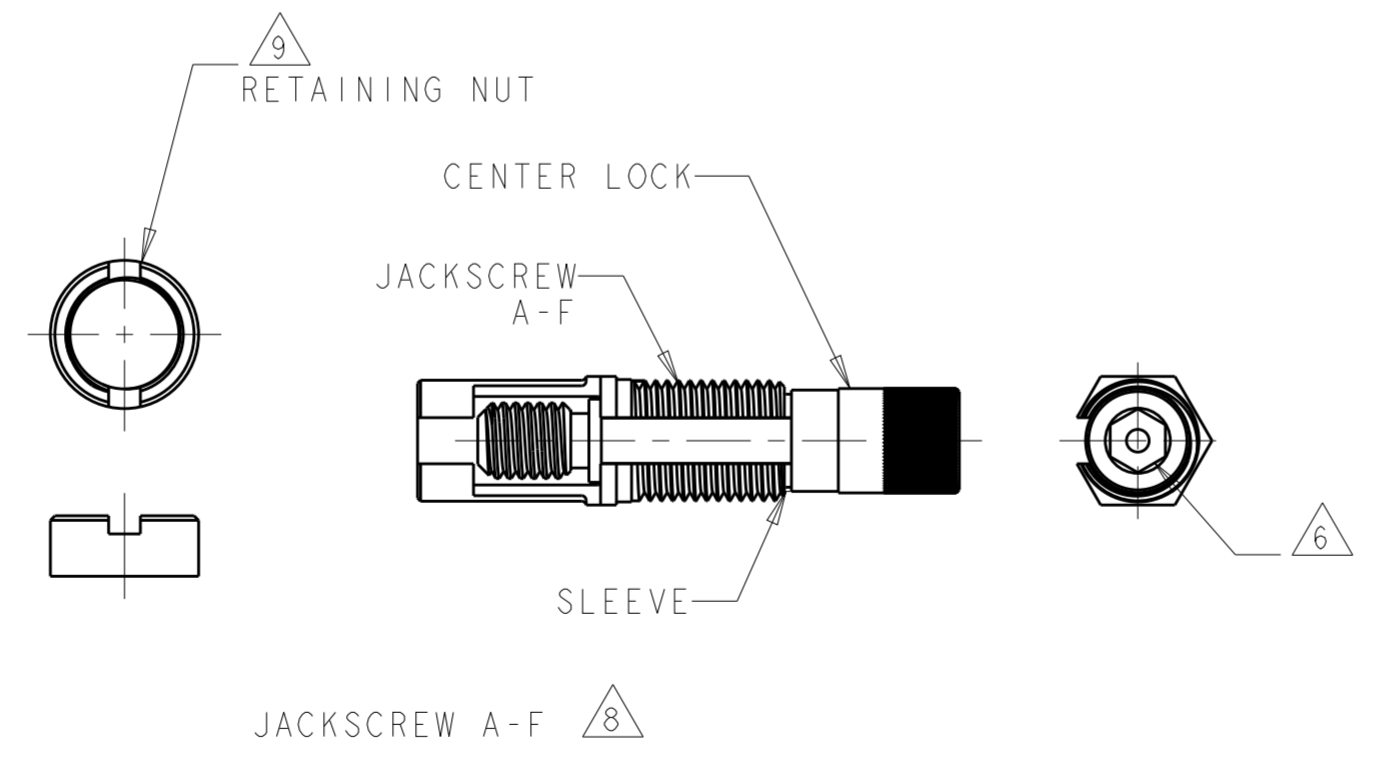
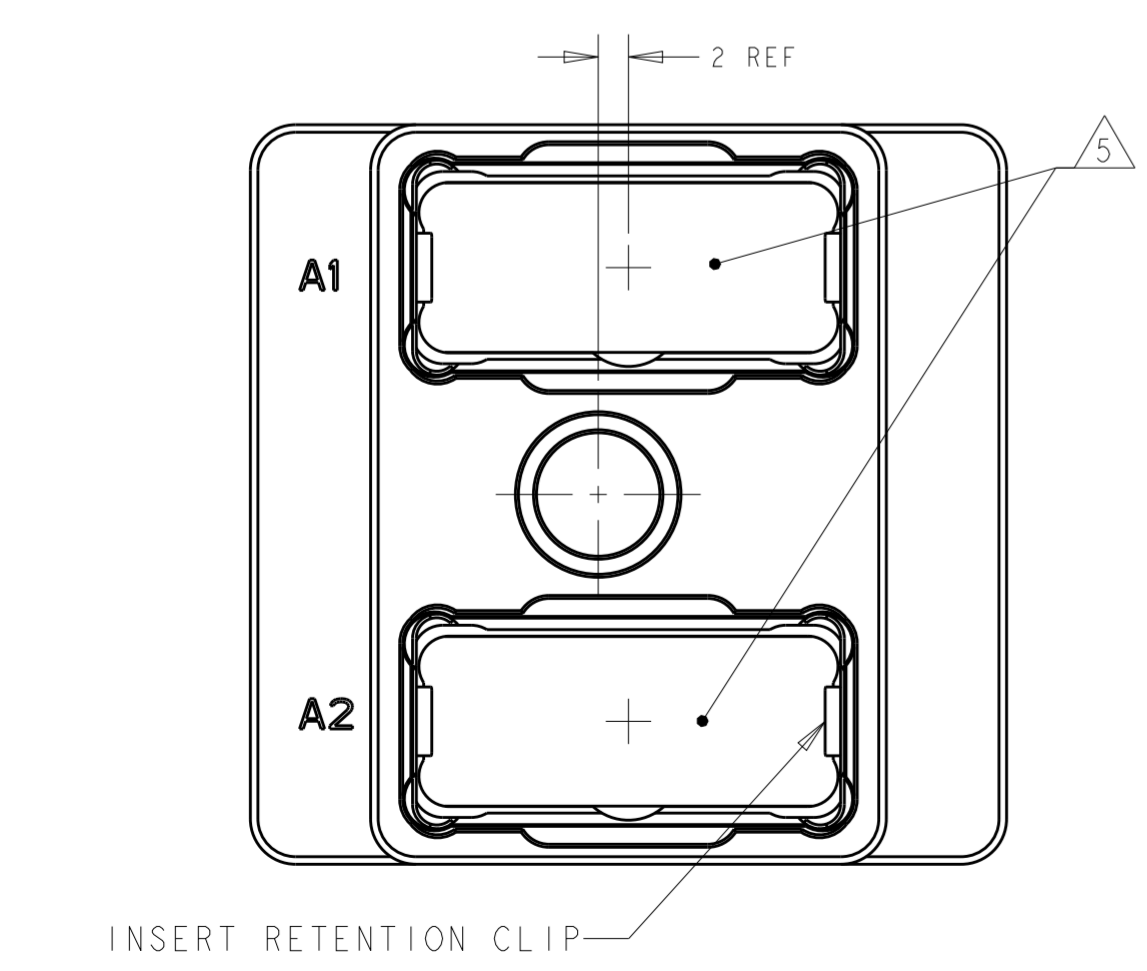


THIS DRAWING IS UNPUBLISHED. RELEASED FOR PUBLICATION 20
 © COPYRIGHT 20 BY - ALL RIGHTS RESERVED.

REVISIONS				
P	LTR	DESCRIPTION	DATE	DWN APVD
C		REV PER ECO 16-004978	25APR2016	CT EO



- 1 SHELL: ALUMINUM ALLOY 6061 T651
 INSERT RETENTION CLIP & JACKSCREW SLEEVE: COPPER ALLOY PER ASTM B194
 JACKSCREW KEY, CENTER LOCK, & RETAINING NUT: STAINLESS STEEL PER AISI 316
 PROTECTIVE COVER: ANTI-STATIC THERMOPLASTIC ELASTOMER PER ASTM D5593,
 COLOR: BLACK
- 2 SHELL: ELECTROLESS NICKEL PER SAE AMS-C-26074, CLASS I
- 3 TE, TE PART NO. AND DATE CODE - YEAR & WEEK (YY WW)
- 4 INDEXING POINT FOR POLARIZATION
- 5 SHELL CAVITIES FOR GPRB SERIES INSERTS WITH KEYING CODE A
- 6 HEX KEY SLOT FOR 9/64 ALLEN WRENCH
- 7 THE PROTECTIVE COVERS ARE NOT SHOWN FOR CLARITY.
- 8 THE JACKNUT AND RETAINING NUT ARE SHIPPED UNASSEMBLED. THE CUSTOMER SHALL APPLY LOCTITE® PRODUCT 272 THREAD LOCKING ADHESIVE WHEN INSTALLING THESE ON THE SHELL ASSEMBLY. LOCTITE® IS A REGISTERED TRADEMARK OF HENKEL CORPORATION.
- 9 A SPANNER WRENCH TOOL, TYCO ELECTRONICS P/N 1738220-1 (WITH 1/4-IN ADAPTER) OR 1738221-1 (WITH T-HANDLE), IS USED TO LOCK THE RETAINING NUT. RECOMMENDED TORQUE: 1.5 N·m (13 in-lb).
- 10. THIS PRODUCT IS SOLD BY TYCO ELECTRONICS UNDER LICENSE FROM RADIALL SA.



187719-1
 PART NUMBER

THIS DRAWING IS A CONTROLLED DOCUMENT.		DWN BW 31JAN06	TE Connectivity	
DIMENSIONS: mm		CHK JPM 31JAN06		
TOLERANCES UNLESS OTHERWISE SPECIFIED:		APVD JPM 31JAN06	NAME PLUG SHELL KIT, VERTICAL, WITH A-F JACKSCREW, GPRB2	
0 PLC ±0.2		PRODUCT SPEC -	SIZE CAGE CODE DRAWING NO RESTRICTED TO	
1 PLC ±0.2		APPLICATION SPEC -	A200779 C-187719	
2 PLC ±0.2		WEIGHT -	SCALE 2:1 SHEET 1 OF 1 REV C	
3 PLC ±		CUSTOMER DRAWING		
4 PLC ±				
ANGLES ±				
FINISH				
material_2				
finish_spec_2				