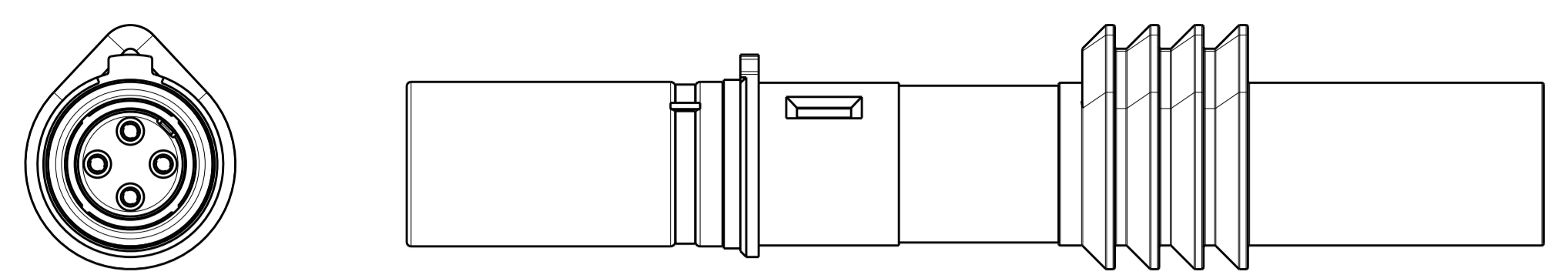
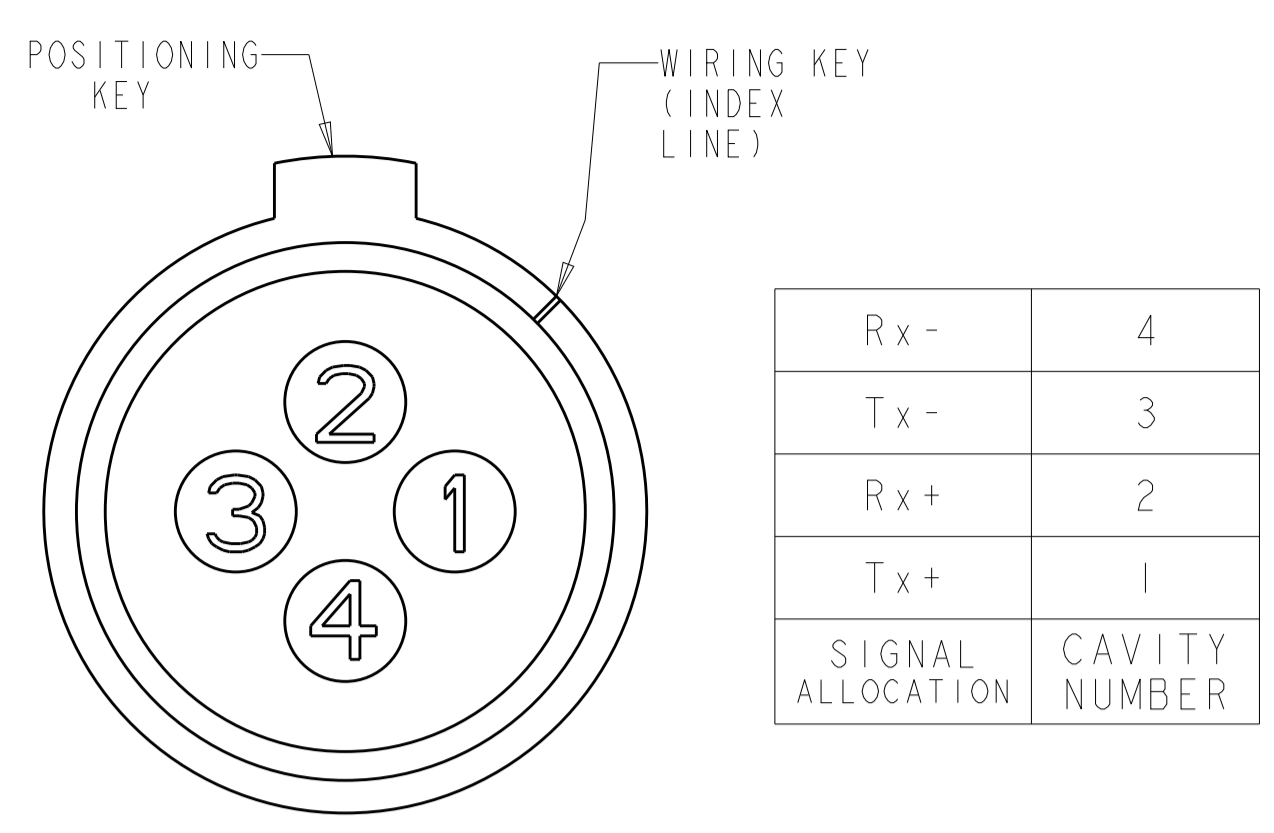
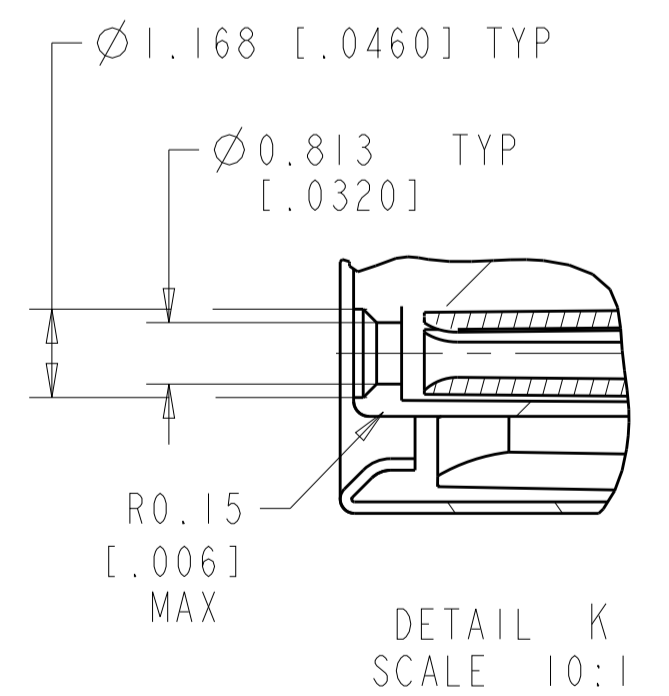
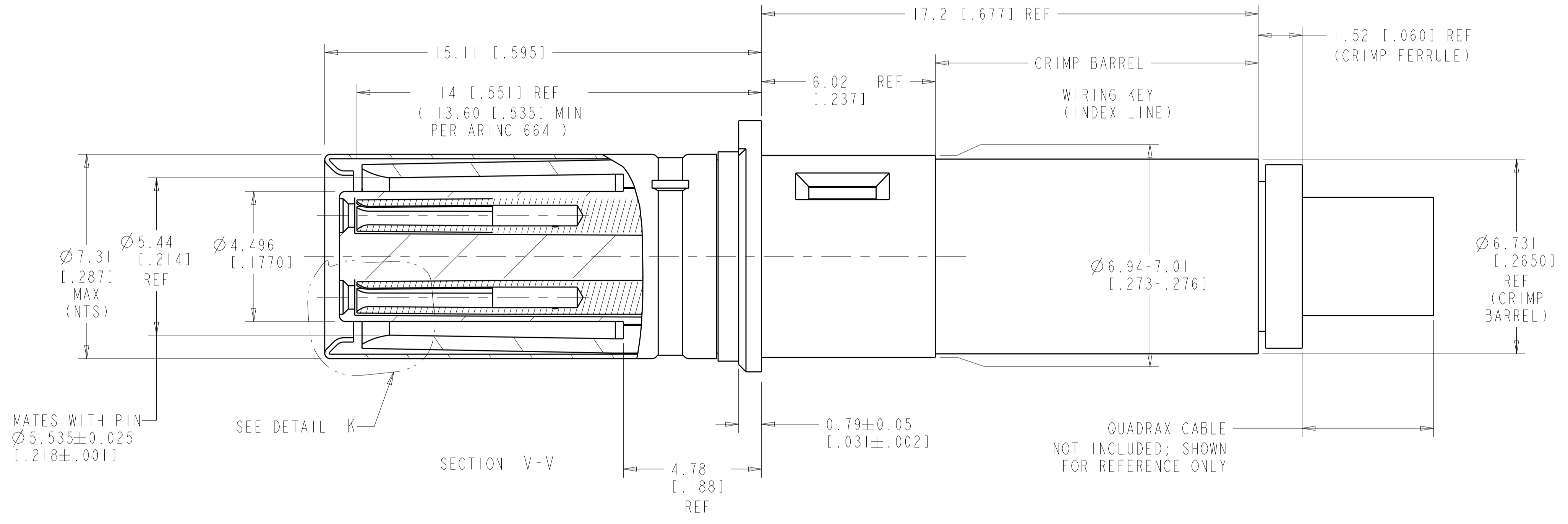
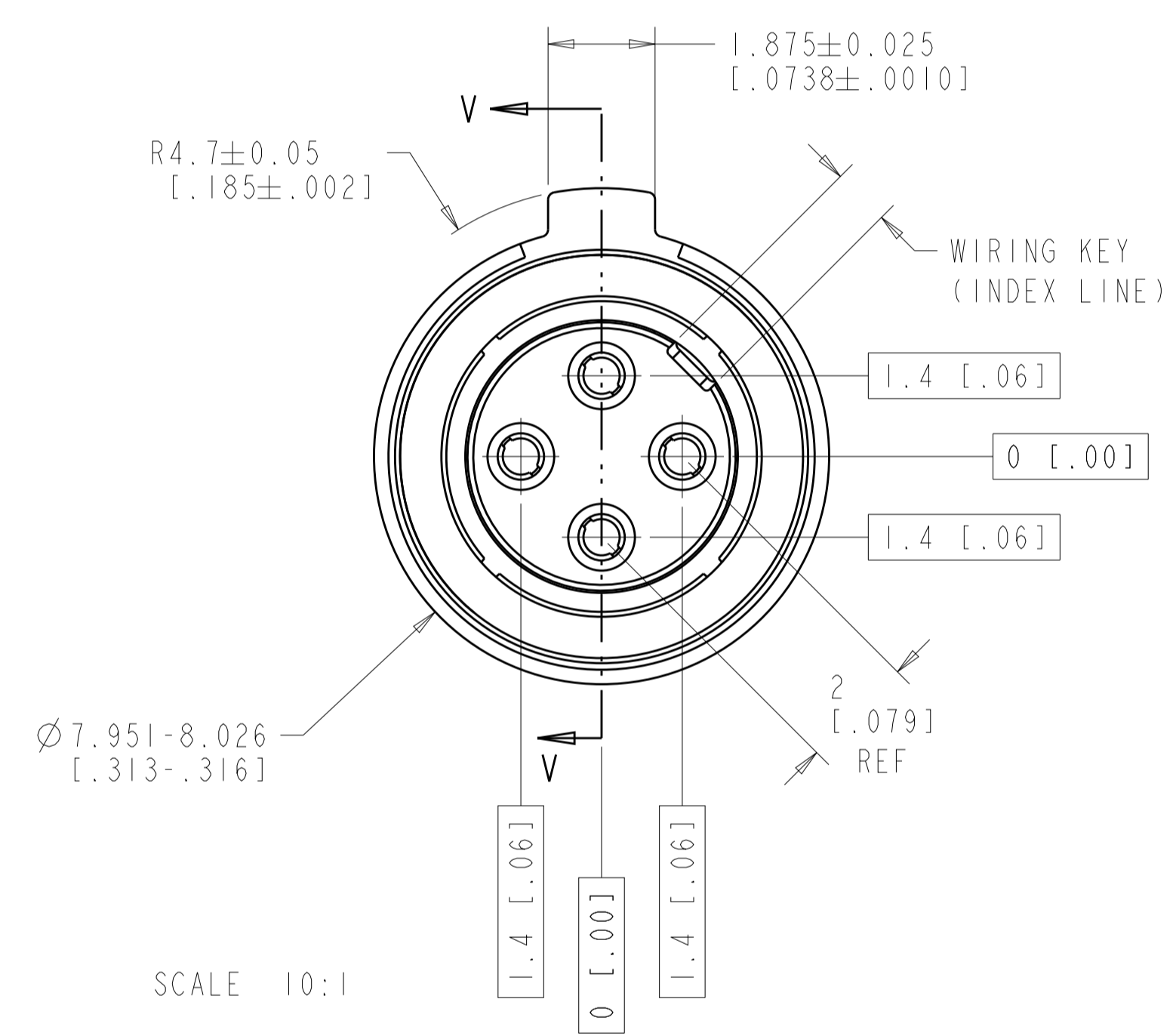


REVISIONS				
P.	LTM	DESCRIPTION	DATE	DMN
C		REV PER ECO-15-012764	12OCT2015	KG DM



1877040-2  
SCALE 4:1

CONTACT CAVITY NUMBERING  
STANDARD CAVITY NUMBER ASSIGNMENT



- COMPONENTS ARE PACKAGED IN KIT FORM. CABLE MUST BE PURCHASED SEPARATELY. .231 HEX CRIMP WILL ALLOW ASSEMBLY OF SOME 150 OHM CABLES. REFERENCE CABLES: TENSOLITE 26473/02006X-4(LD), RAYCHEM CEC-RWC-18684, RAYCHEM CEC-RWC-18680
- ASSEMBLY PER APPLICATION SPECIFICATION 114-13123. (.231 HEX CRIMP)
- USE INSERTION-EXTRACTION TOOL 1738894-1.

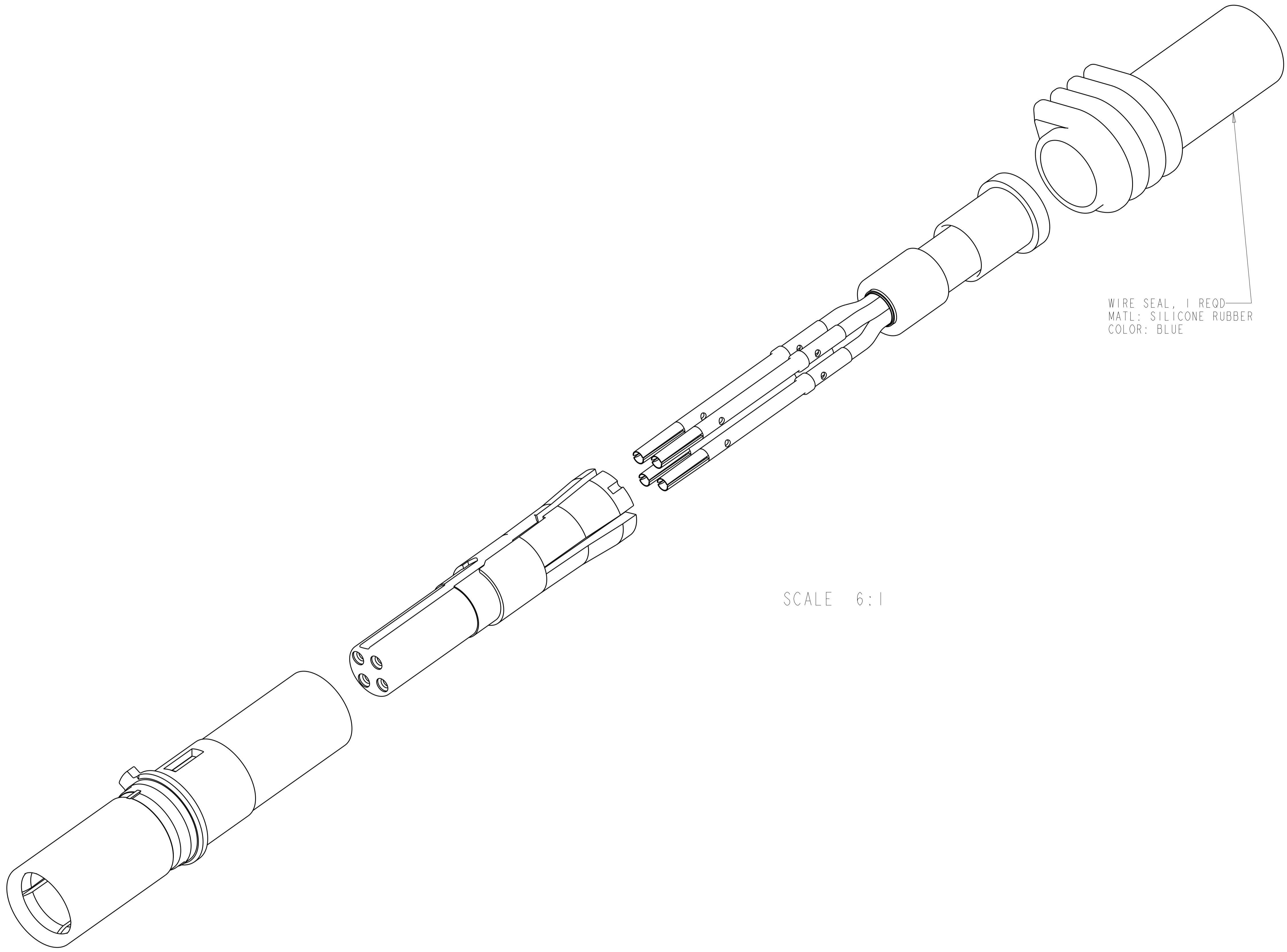
BLUE	SAME AS -1 EXCEPT WITH WIRE SEAL	1877040-2
--	AS SHOWN; WITHOUT WIRE SEAL	1877040-1
SEAL COLOR	DESCRIPTION	PART NO.

THIS DRAWING IS A CONTROLLED DOCUMENT.

DIMENSIONS:	TOLERANCES UNLESS OTHERWISE SPECIFIED:	DMN: 05MAY05	 TE Connectivity
mm [INCH]	0 PLC ±.013 [0.005]	CHK: 05MAY05	
	1 PLC ±0.2 [1.008]	RW: 05MAY05	
	2 PLC ±0.13 [0.051]	APVD: 05MAY05	
MATERIAL:	FINISH:	PRODUCT SPEC:	NAME: ASSEMBLY, SOCKET, QUADRAX, 2mm SQ, AIRCRAFT DATA NETWORK, RR/RR WITH SOCKET CONTACTS, .231 HEX CRIMP
		APPLICATION SPEC:	SIZE: A1
		WEIGHT:	CAGE CODE: 1877040
		CUSTOMER DRAWING:	SCALE: 10:1 SHEET 1 OF 2 REV C

THIS DRAWING IS UNPUBLISHED. RELEASED FOR PUBLICATION 20  
COPYRIGHT 20 BY - ALL RIGHTS RESERVED.

REVISIONS				
P.	LTN	DESCRIPTION	DATE	APVD
--		SEE SHEET 1	-	-



WIRE SEAL, 1 REQD  
 MATL: SILICONE RUBBER  
 COLOR: BLUE

SCALE 6:1

THIS DRAWING IS A CONTROLLED DOCUMENT.		DWN: 05MAY05	
		CHK: 05MAY05	
		RW: 05MAY05	
		APVD: 05MAY05	
DIMENSIONS: mm [INCH] 		TOLERANCES UNLESS OTHERWISE SPECIFIED: 0 PLC ±. 1 PLC ±0.2 (1.008) 2 PLC ±0.13 (1.0051) 3 PLC ±0.051 (1.002) 4 PLC ±. ANGLES ±. FINISH ±.	NAME: ASSEMBLY, SOCKET, QUADAX, 2mm SQ, AIRCRAFT DATA NETWORK, RR/RR WITH SOCKET CONTACTS, .231 HEX CRIMP PRODUCT SPEC: - APPLICATION SPEC: - SIZE: A1 CAGE CODE: - DRAWING NO: 1877040 WEIGHT: - MATERIAL: - FINISH: - CUSTOMER DRAWING
		SCALE: 4:1	SHEET: 2 OF 2
			REV: C