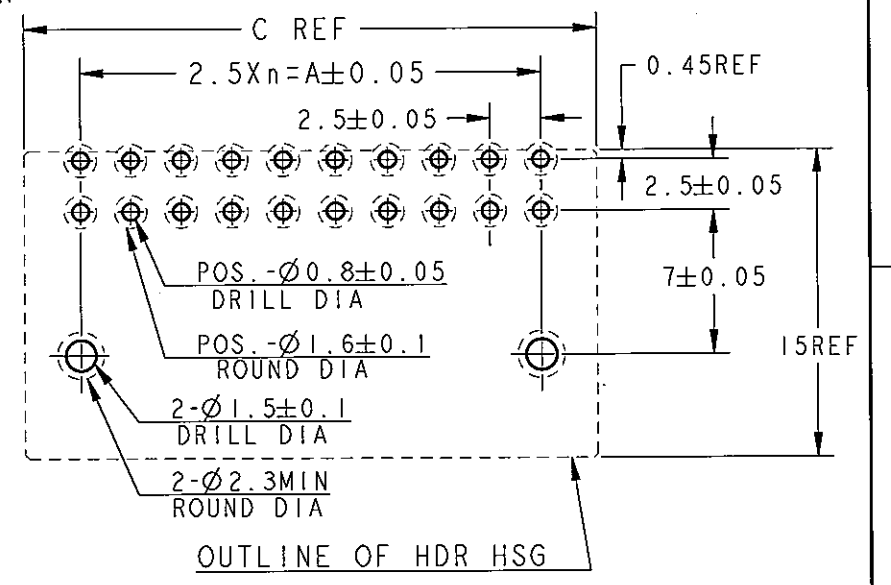


1. MATERIAL: HOUSING: GLASS FILLED THERMO PLASTIC POLYESTER(94V-0), COLOR: BLACK
 CONTACT: COPPER ALLOY
 RETENTION LEG: PRE-TIN COPPER ALLOY

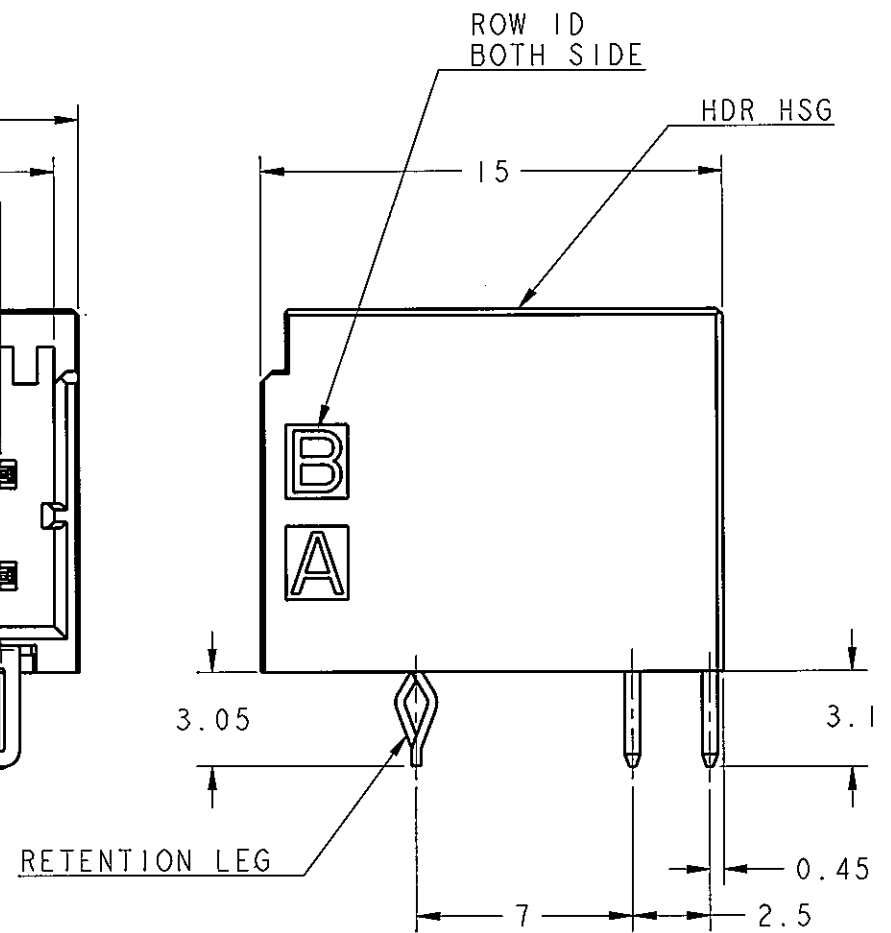
2. FINISH(ALL OVER): TIN PL. 0.8μmMIN AFTER NICKEL PL. 0.8μmMIN
 3. THE SHAPE, SIZE AND POSITION OF THE CHARACTER SHOW THE OUTLINE. THEY DON'T SHOW DETAILS.

1. 材料: ハウジング: ガラス入り熱可塑性ポリエステル樹脂(94V-0), 色: 黒
 コンタクト: 銅合金
 リテンションレグ: 錫めっき済銅合金
 2. めっき: 全面: ニッケル下地めっき0.8μm以上の上に錫めっき0.8μm以上
 3. 文字の形状、大きさ、および位置については、大略を示すものであり、詳細を示すものではありません。

LOC	DIST	REVISIONS						
J	-	P	LTR	DESCRIPTION	ECN	DATE	DWN	APVD
		A		RELEASED		23AUG2005	M.M	D.M
		A1		DRAFTING ERROR FOR 4POS	ECR-07-005648	22MAR2007	M.M	D.M
		B		ADDITION PART NO	ECR-09-019145	26AUG2009	T.K	T.K



RECOMMEND PC BOARD HOLE PATTERN : CONNECTOR MOUNT SIDE (NOT ACCUMULATE TOLERANCE)
 PC BOARD THICKNESS : 1.0~1.6±0.1

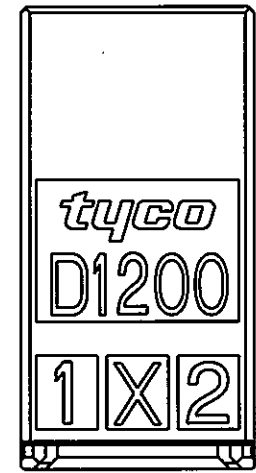


20POS : THIS ITEM IS NOT YET. ONLY 4POS----SEE SHEET 2 OF 3

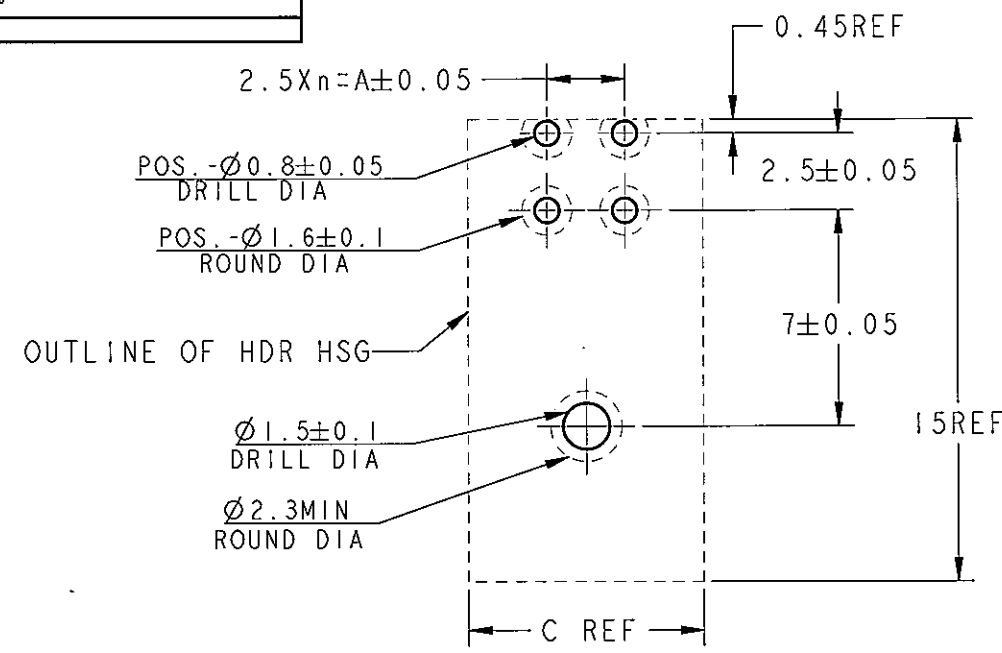
12	5	12.5	16.0	17.6	1-1871673-6
6	2	5.0	8.5	10.1	1-1871673-3
4	1	2.5	6.0	7.6	1-1871673-2
POS	n	A	B	C	PART NO

DIMENSIONS: 単位: ㎜ TOLERANCES UNLESS OTHERWISE SPECIFIED: 一般公差 ±0.3, ±3° ①-PLC ± ②-PLC ±0.5 ③-PLC ±0.13 ④-PLC ±0.013 ANGLES ±0.0001 FINISH ㎜:		DWN 22JUN2005 M. MAEBASHI CHK 23AUG2005 D. MITSUGI APVD 23AUG2005 D. MITSUGI PRODUCT SPEC 108-78298 APPLICATION SPEC 114-5377 WEIGHT	Tyco Electronics Corporation Kawasaki, Japan NAME 氏名 DYNAMIC D1200D 2.5mmPITCH HDR ASSY (H-TYPE) TIN PLATE 4-20POS SIZE A2 CAGE CODE 00779 DRAWING NO. 1871673 RESTRICTED TO
SEE NOTE 1	SEE NOTE 2	CUSTOMER DRAWING	SCALE 6:1 SHEET 1 OF 3 REV B

LOC		DIST		REVISIONS			DATE	DWN	APVD
P	LTR	DESCRIPTION							
J	-	SEE SHEET 1 OF 3							

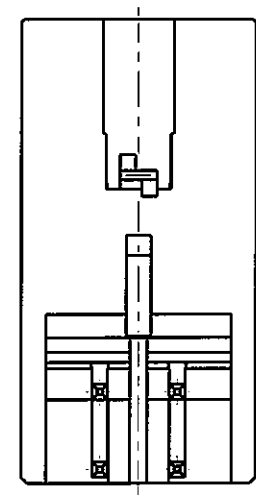
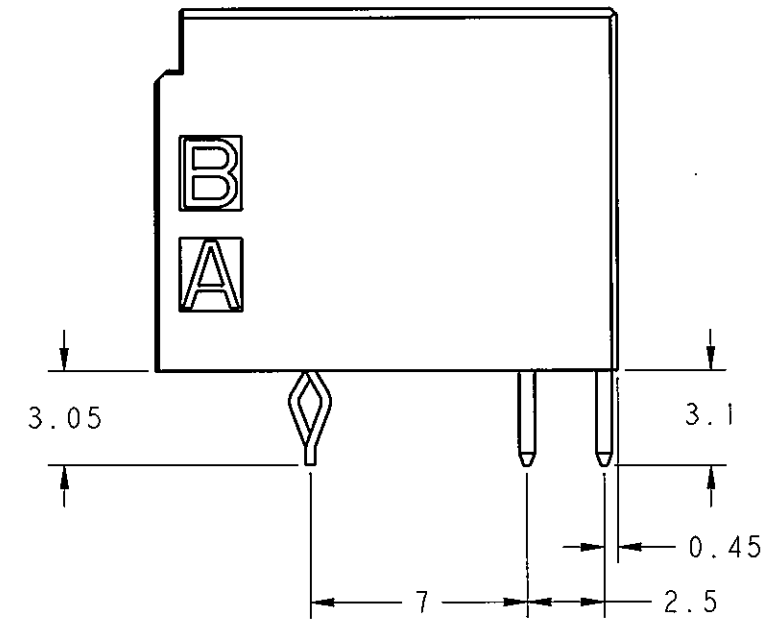
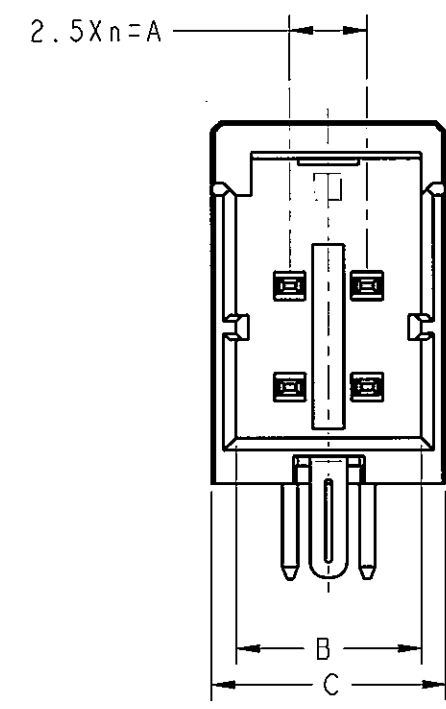


P/N 1-1871673-2
(4POS:X-KEY)



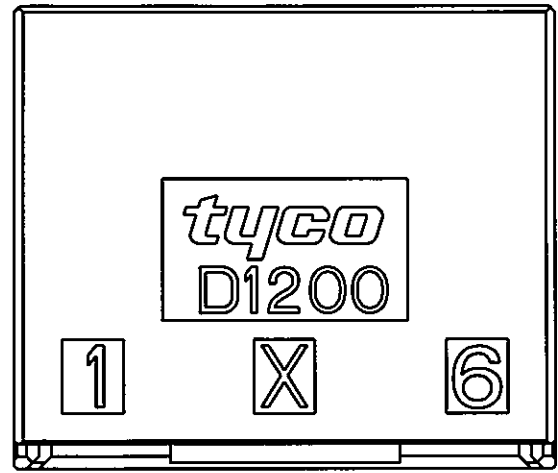
推奨基板取付穴寸法: コネクタ搭載面 (非累積公差)
 PC基板厚: 1.0~1.6±0.1
 RECOMMEND PC BOARD HOLE PATTERN
 : CONNECTOR MOUNT SIDE (NOT ACCUMULATE TOLERANCE)
 PC BOARD THICKNESS : 1.0~1.6±0.1

ONLY 4POS

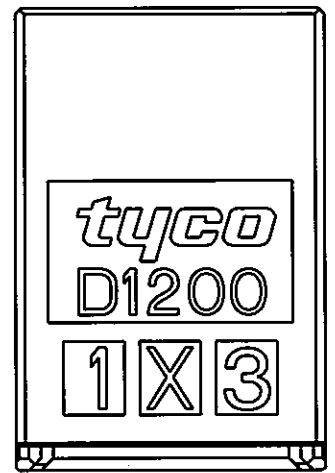


DIMENSIONS: mm		TOLERANCES UNLESS OTHERWISE SPECIFIED: 1 PLC ± 2 PLC ± 3 PLC ± 4 PLC ± ANGLES ± FINISH		DWN M. MAEBASHI 22JUN2005 CHK D. MITSUGI 23AUG2005 APVD D. MITSUGI 23AUG2005	NAME DYNAMIC D1200D 2.5mmPITCH HDR ASSY (H-TYPE) TIN PLATE 4-20POS
MATERIAL		PRODUCT SPEC 108-78298	APPLICATION SPEC 114-5377	SIZE A2	RESTRICTED TO
CUSTOMER DRAWING		SCALE 6:1	SHEET 2 OF 3	DRAWING NO. C=1871673	REV B

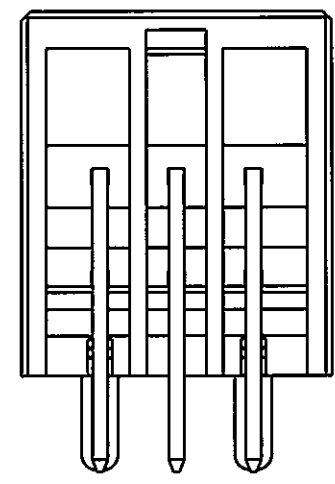
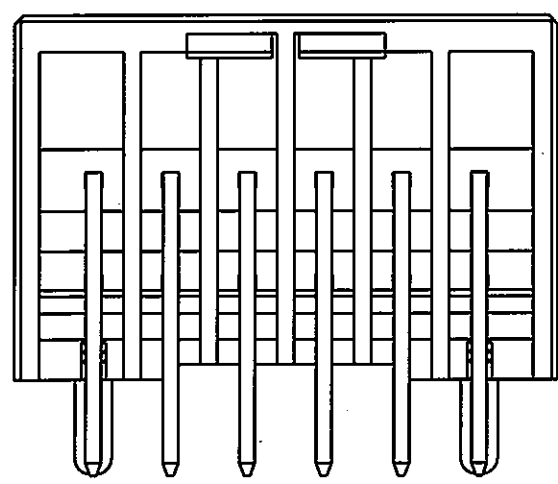
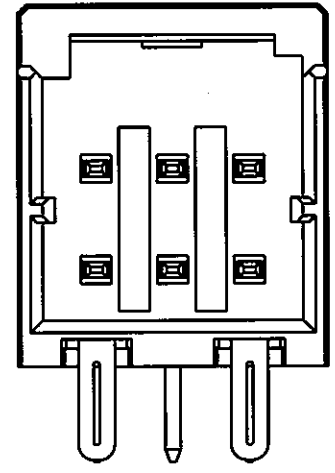
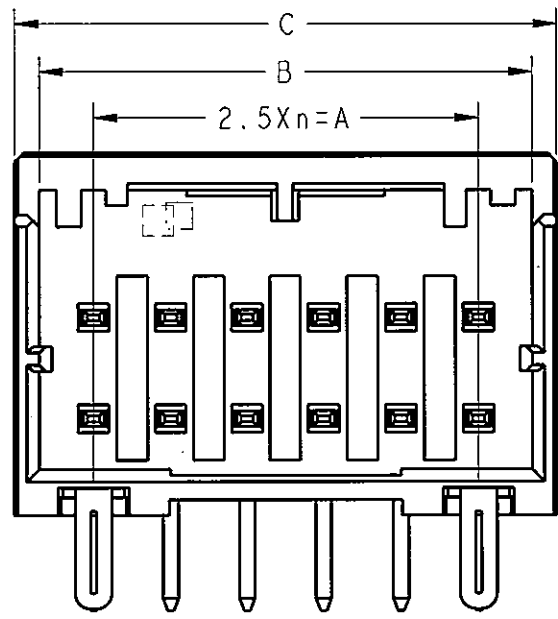
LOC		DIST		REVISIONS			
P	LTR	DESCRIPTION	DATE	DWN	APVD		
J	-	SEE SHEET 1 OF 3					



P/N 1-1871673-6
(12POS:X-KEY)



P/N 1-1871673-3
(6POS:X-KEY)



<small>THIS DRAWING IS A CONTROLLED DOCUMENT FOR TYCO ELECTRONICS CORPORATION. IT IS SUBJECT TO CHANGE AND THE CONTROLLING ENGINEERING ORGANIZATION SHOULD BE CONTACTED FOR THE LATEST REVISION.</small>		DWN M. MAEBASHI 22JUN2005 CHK D. MITSUGI 23AUG2005 APVD D. MITSUGI 23AUG2005		Tyco Electronics Tyco Electronics Corporation Kawasaki, Japan	
DIMENSIONS: mm		TOLERANCES UNLESS OTHERWISE SPECIFIED: 1. ALL ± 2. PLC ± 3. PLC ± 4. PLC ± ANGLES ±		NAME DYNAMIC D1200D 2.5mmPITCH HDR ASSY (H-TYPE) TIN PLATE 4-20POS	
MATERIAL -		WEIGHT -		SIZE A2 CAGE CODE 00779 DRAWING NO. C-1871673 RESTRICTED TO -	
CUSTOMER DRAWING				SCALE 6:1 SHEET 3 OF 3 REV B	