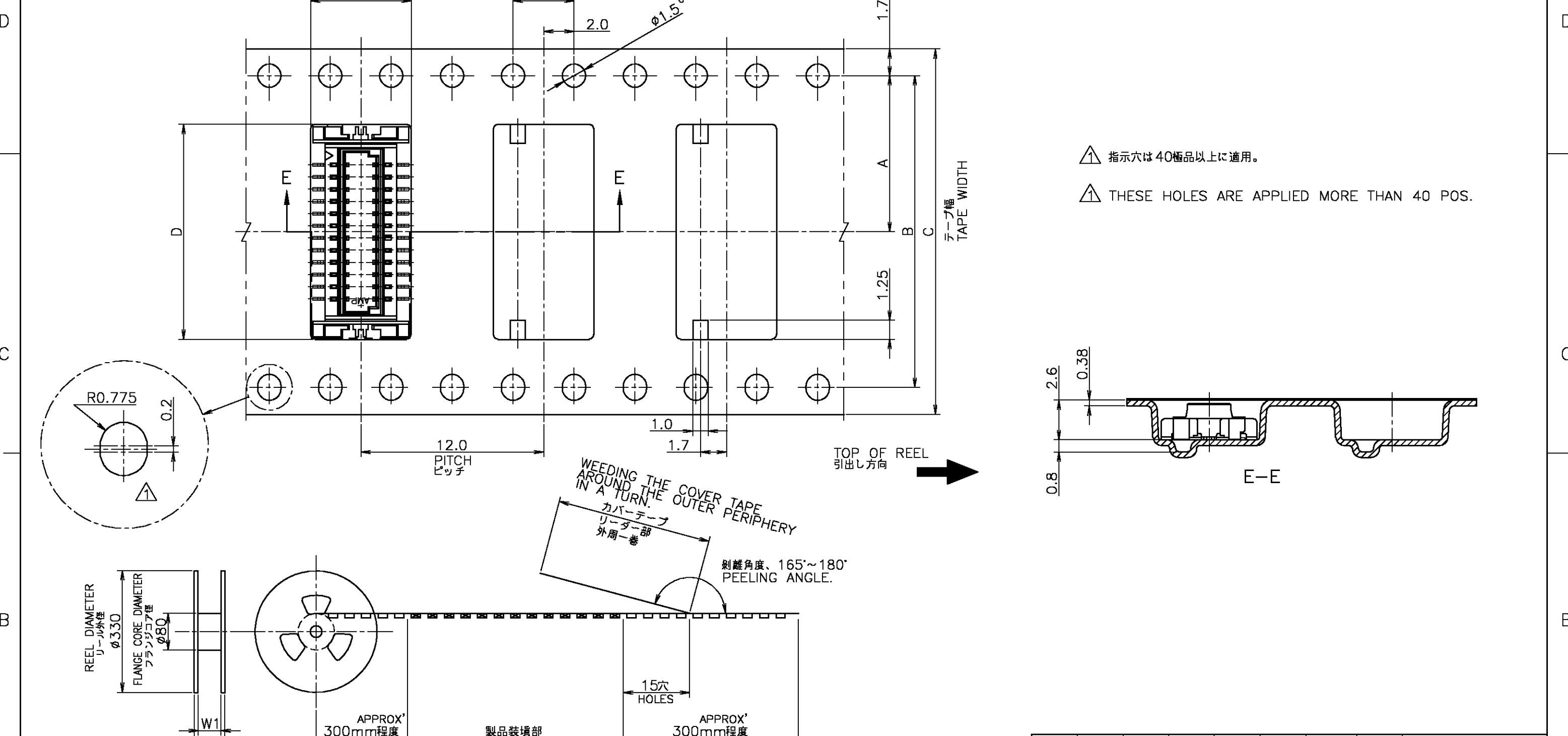
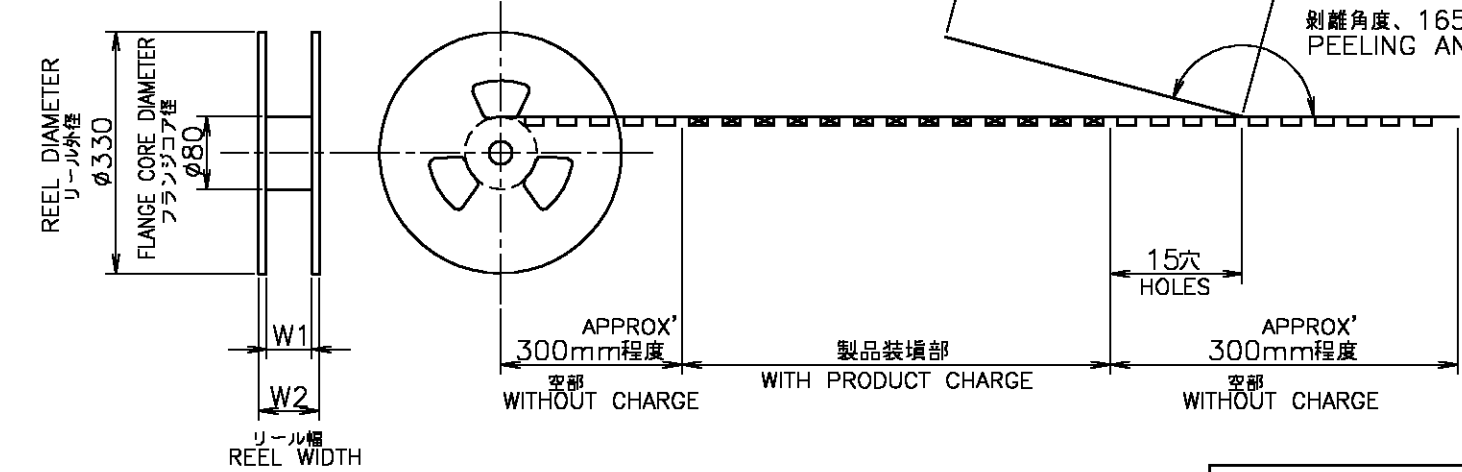
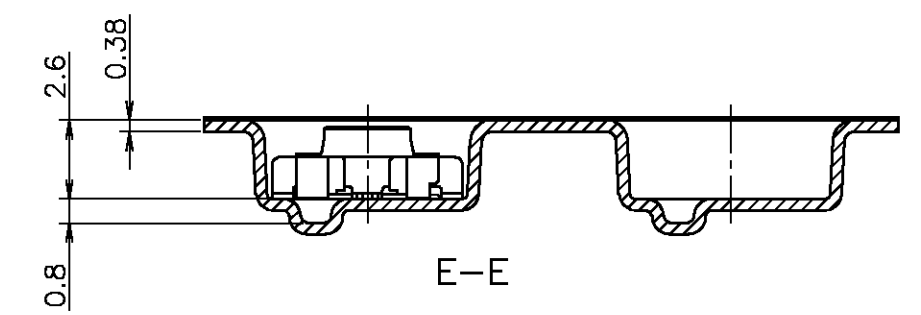


THIS DRAWING IS UNPUBLISHED. RELEASED FOR PUBLICATION JUN, 2005.
 © COPYRIGHT 2005 BY TYCO ELECTRONICS CORPORATION. ALL RIGHTS RESERVED.

| LOC | DIST | REVISIONS | | | | |
|-----|------|-----------|----------|-------------|------|-----|
| | | P | LTR | DESCRIPTION | DATE | DWN |
| J | | A | RELEASED | 01JUN05 | Y.N | T.K |



△ 指示穴は40極品以上に適用。
 △ THESE HOLES ARE APPLIED MORE THAN 40 POS.



| | | | | | | | | | | |
|----------------------------|----------|------|------|-----|----|-----|------|-----------------------|-------------|------------------------------|
| INSTRUCTION SHEET 取扱説明書 | 411-5654 | 22.4 | 16.4 | 9.3 | 16 | 7.5 | 1500 | 12 | 1-1871238-2 | |
| | | W2 | W1 | D | C | B | A | 数量 (ヶ) QTY/REEL | 極数 POS | リール巻 コネクタ型番 TAPING P/N |

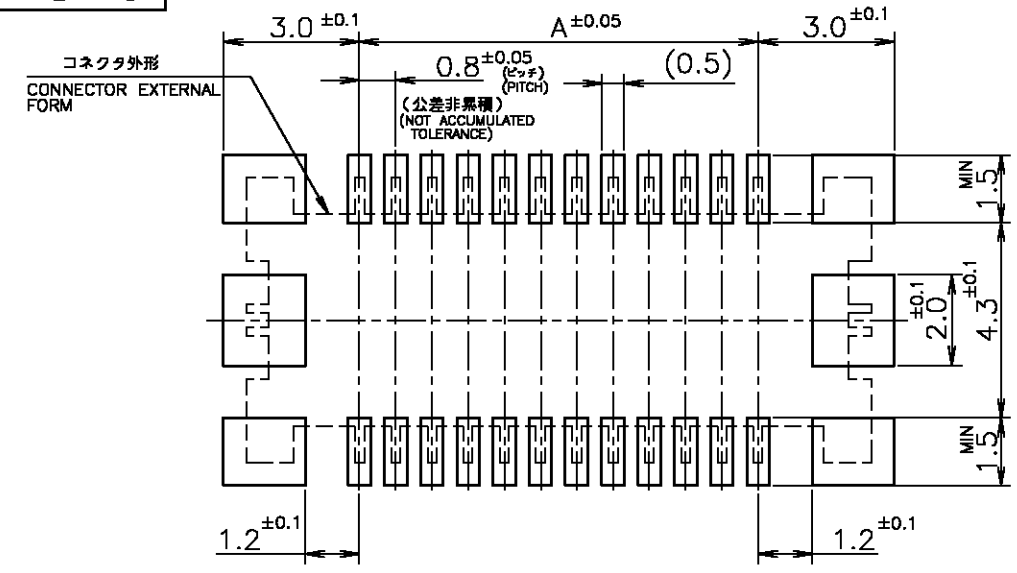
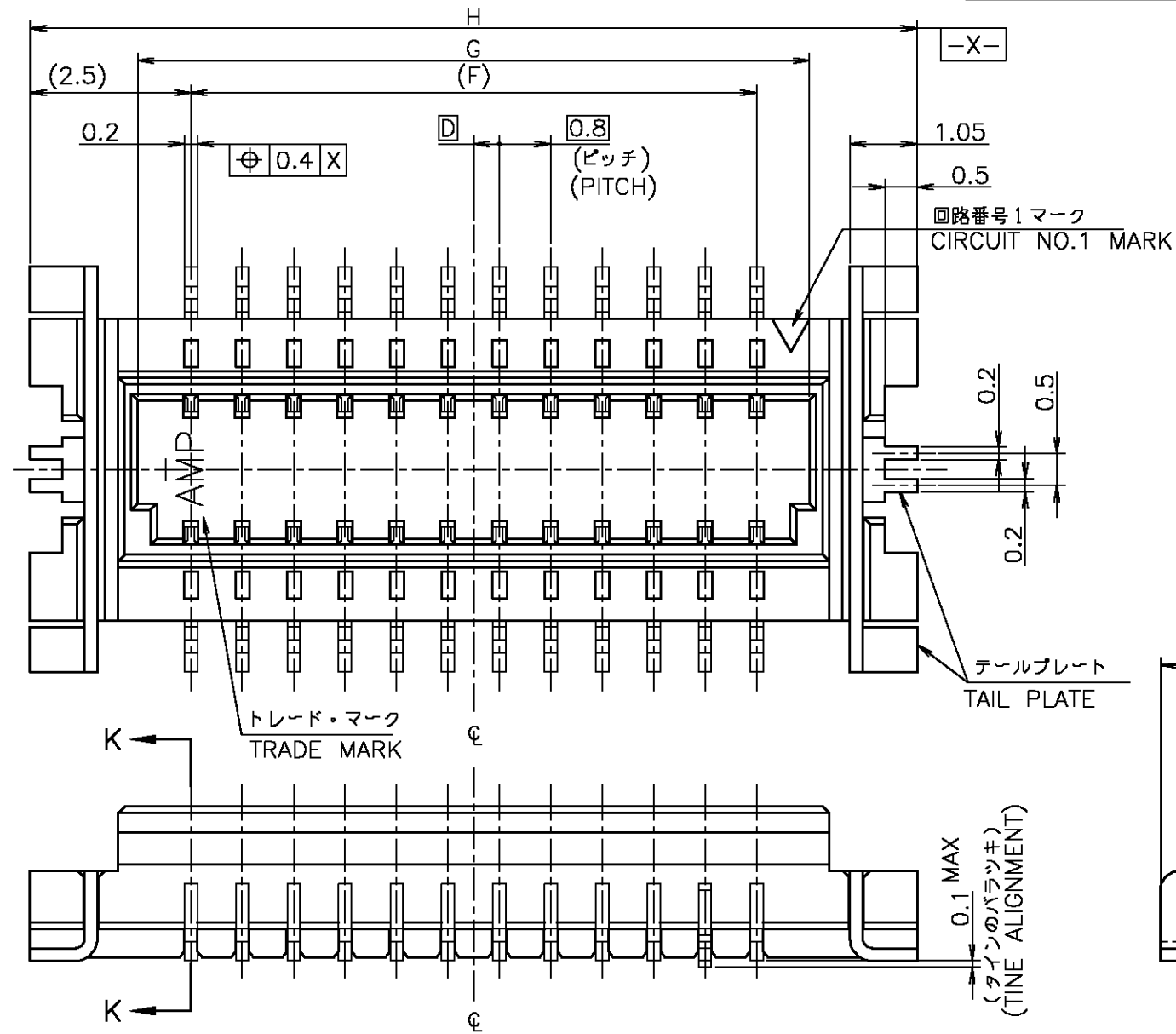
THIS DRAWING IS A CONTROLLED DOCUMENT.

| | | | |
|--|---|----------------------------------|---|
| DIMENSIONS: 単位: 珎 MM | TOLERANCES UNLESS OTHERWISE SPECIFIED: 一般公差 | DWN Y.NAKAZAWA 01JUN05 | Tyco Electronics AMP K.K. Kawasaki, Japan |
| 0 PLC ± 0.2 1 PLC ± 0.2 2 PLC ± 0.2 3 PLC ± 0.2 4 PLC ± 0.2 ANGLES ± 3' | FINISH 仕上 | CHK T.KUSUHARA 01JUN05 | |
| MATERIAL 材料 | | APVD T.KUSUHARA 01JUN05 | NAME エンボス詰 キャップ・アッセンブリ (ボス無) ON TAPING EMBOSS CAP TO BOARD CONNECTOR WITHOUT BOSS |
| | | PRODUCT SPEC 製品規格 108-5424 | 0.8mm PITCH BOARD TO BOARD CONNECTOR MATING HEIGHT 3.0mm |
| | | APPLICATION SPEC 取付適用規格 | SIZE A3 |
| | | WEIGHT | CAGE CODE 00779 |
| | | | DRAWING NO C-1871238 |
| | | | RESTRICTED TO |
| | | | SCALE 尺度 4:1 |
| | | | SHEET 1 OF 2 |
| | | | REV A |

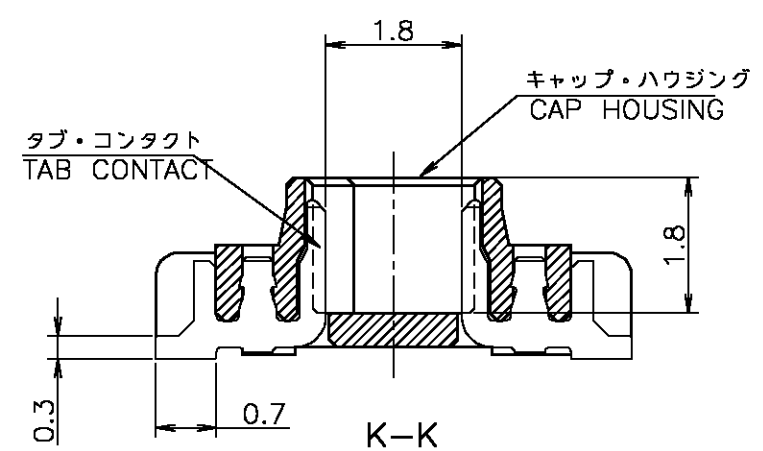
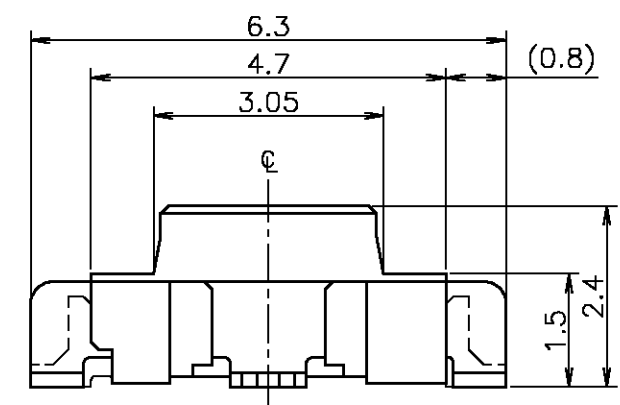
CUSTOMER DRAWING

| LOC | DIST | REVISIONS | | | | | |
|-----|------|-----------|-----|-------------|------|-----|------|
| J | | P | LTR | DESCRIPTION | DATE | DWN | APVD |
| | | - | | SEE SHEET 1 | - | - | - |

本図: コネクタ図
 AS SHOWN: CONNECTOR DWG



推奨基板加工寸法 (t=0.6 MIN.)
 RECOMMENDABLE P.C. BOARD LAYOUT



△ 材料: ハウジング - 6T NYLON (高耐熱性ナイロン)
 ガラス30%, 色: ベージュ
 コンタクト - 燐青銅・錫めっき(0.2t) 金めっき
 テール プレート - 燐青銅・錫めっき(0.2t) 金めっき

△ MATERIAL: HOUSING - 6T NYLON (HIGH HEAT-RESISTED NYLON), GF30%,
 COLOR: BEIGE.
 CONTACT - POST-TIN/PHOS-BROZ(0.2t) Au PLT
 TAIL PLATE - POST-TIN/PHOS-BROZ(0.2t) Au PLT

| | | | | | | | | |
|----------------------------|----------|-----------------|-----|---|-----|---|-----------|---------------|
| INSTRUCTION SHEET 取扱説明書 | 411-5654 | 0.135 | 0.4 | 9 | 5.6 | 4 | 12 | 1-1871238-2 |
| | | 重量(g) WEIGHT | J | H | G | F | 極数 POS | 型番 PART NO |

| | | | | | | | |
|--|---|------------------|--|-----------|--|---------------|--|
| THIS DRAWING IS A CONTROLLED DOCUMENT. | | DWN | tyco Electronics | | Tyco Electronics AMP K.K. Kawasaki, Japan | | |
| DIMENSIONS: 単位: 耗 MM | TOLERANCES UNLESS OTHERWISE SPECIFIED: 一般公差 | CHK | NAME 名義 エンボス語 キャップ・アッセンブリ (ボス無) ON TAPING EMBOSS CAP ASSEMBLY WITHOUT BOSS | | | | |
| | 0 PLC ± 0.2 | APVD | PRODUCT SPEC 製品規格 108-5424 | | | | |
| | 1 PLC ± 0.2 | PRODUCT SPEC | APPLICATION SPEC 取付適用規格 | | | | |
| MATERIAL 材料 | 2 PLC ± 0.2 | WEIGHT | SIZE | CAGE CODE | DRAWING NO 番号 | RESTRICTED TO | |
| | 3 PLC ± 0.2 | CUSTOMER DRAWING | A3 | 00779 | C-1871238 | - | |
| 4 PLC ± 0.2 | FINISH 仕上 | SCALE | SHEET | | REV | | |
| ANGLES ± 3' | | 10:1 | 2 OF 2 | | A | | |